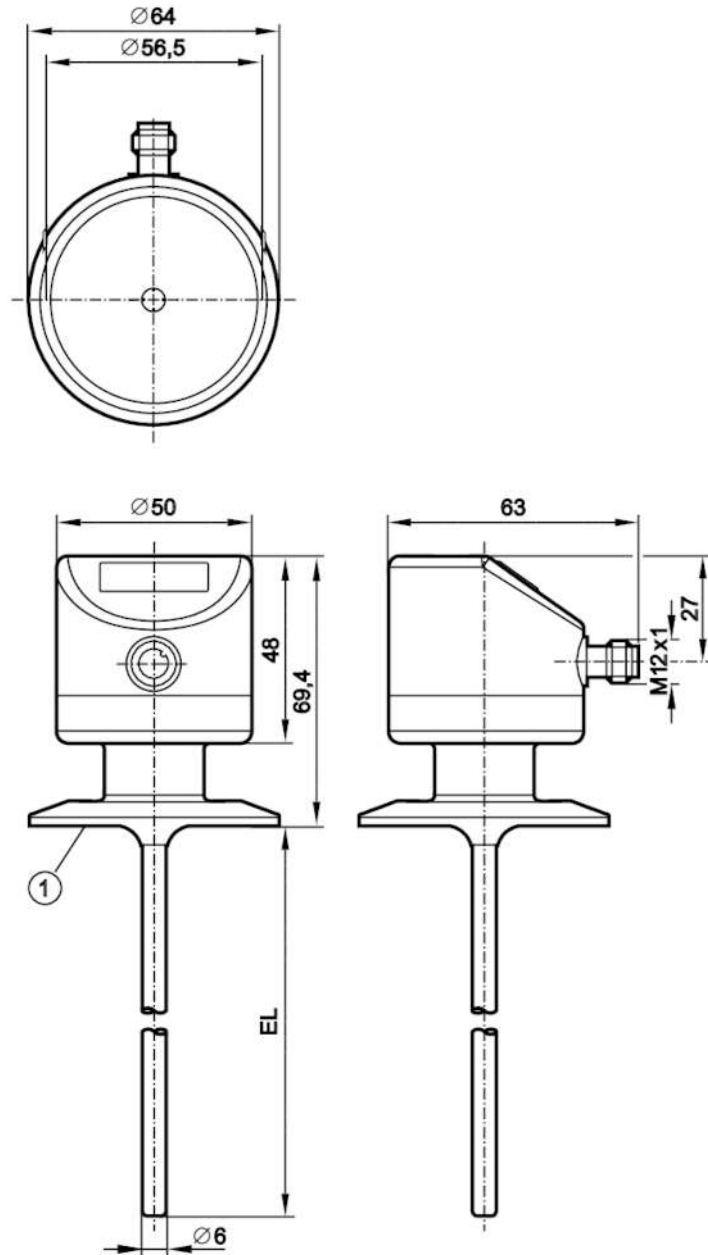


# TD2933



## Temperature transmitter with display

TD-100FFEC02-A-ZVG/US



1 2" Clamp ISO 2852  
EL = installation length



EC 1935/2004 EHEDG Certified

FCM



IO-Link



### Product characteristics

Number of inputs and outputs	Number of analogue outputs: 1	
Measuring range	-50...150 °C	-58...302 °F
Process connection	Clamp DN50 (2") DIN 32676 (ISO 2852)	
Installation length EL [mm]	100	

### Application

Measuring element	1 x Pt 1000; (to DIN EN 60751, class A)	
Media	liquids and gases	
Pressure rating [bar]	100	



## Temperature transmitter with display

TD-100FFEC02-A-ZVG/US

Vacuum resistance	[mbar]	-1000
<b>Electrical data</b>		
Operating voltage	[V]	18...32 DC; ("supply class 2" to cULus)
Current consumption	[mA]	< 50
Protection class		III
Reverse polarity protection		yes
Power-on delay time	[s]	2
<b>Inputs / outputs</b>		
Number of inputs and outputs		Number of analogue outputs: 1
<b>Outputs</b>		
Total number of outputs		1
Output signal		analogue signal; IO-Link; (configurable)
Number of analogue outputs		1
Analogue current output	[mA]	4...20
Max. load	[Ω]	300
Short-circuit protection		yes
Overload protection		yes
<b>Measuring/setting range</b>		
Measuring range		-50...150 °C      -58...302 °F
Factory setting		0...300 °F
<b>Resolution</b>		
Resolution of analogue output	[K]	0.04
Resolution of display	[K]	0.28
<b>Accuracy / deviations</b>		
Precision analogue output	[K]	± 0,3 + (± 0,1 % MS)
Temperature coefficient [% of the span / 10 K]		0,1; (in case of deviation from the reference condition 25 °C)
<b>Response times</b>		
Dynamic response T05 / T09	[s]	1 / 3
<b>Interfaces</b>		
Communication interface		IO-Link
Transmission type		COM2 (38,4 kBaud)
IO-Link revision		1.1
<b>Operating conditions</b>		
Ambient temperature	[°C]	-25...80
Storage temperature	[°C]	-40...100
Protection		IP 67; IP 68; IP 69K
<b>Tests / approvals</b>		
EMC	DIN EN 61000-6-2 DIN EN 61000-6-3	
Shock resistance	DIN IEC 68-2-27	50 g (11 ms)
Vibration resistance	DIN IEC 68-2-6	10 g (10...2000 Hz)
Note on approval	factory certificate available as download at <a href="http://www.factory-certificate.ifm">www.factory-certificate.ifm</a>	

# TD2933



## Temperature transmitter with display

TD-100FFEC02-A-ZVG/US

UL approval	UL Approval no.	K001
-------------	-----------------	------

### Mechanical data

Weight	[g]	397
Materials		stainless steel (1.4404 / 316L); PEI; FKM
Materials (wetted parts)		stainless steel (1.4404 / 316L) electropolished
Process connection		Clamp DN50 (2") DIN 32676 (ISO 2852)
Surface characteristics Ra/Rz of the wetted parts		Ra: < 0.8
Probe diameter	[mm]	6
Installation length EL	[mm]	100

### Displays / operating elements

Display		7-segment LED display, 4-digit display unit / status, °C / °F
---------	--	---

### Remarks

Remarks		MS = set measuring span The values for accuracy apply to flowing water.
Pack quantity		1 pcs.

### Electrical connection

Connector: 1 x M12; coding: A



### Connection

