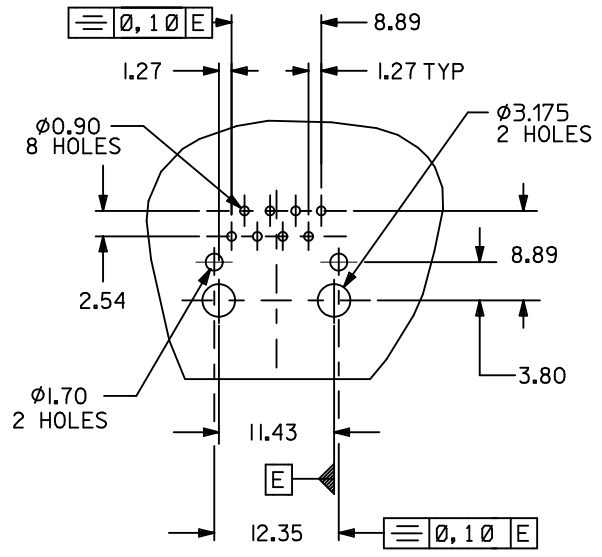
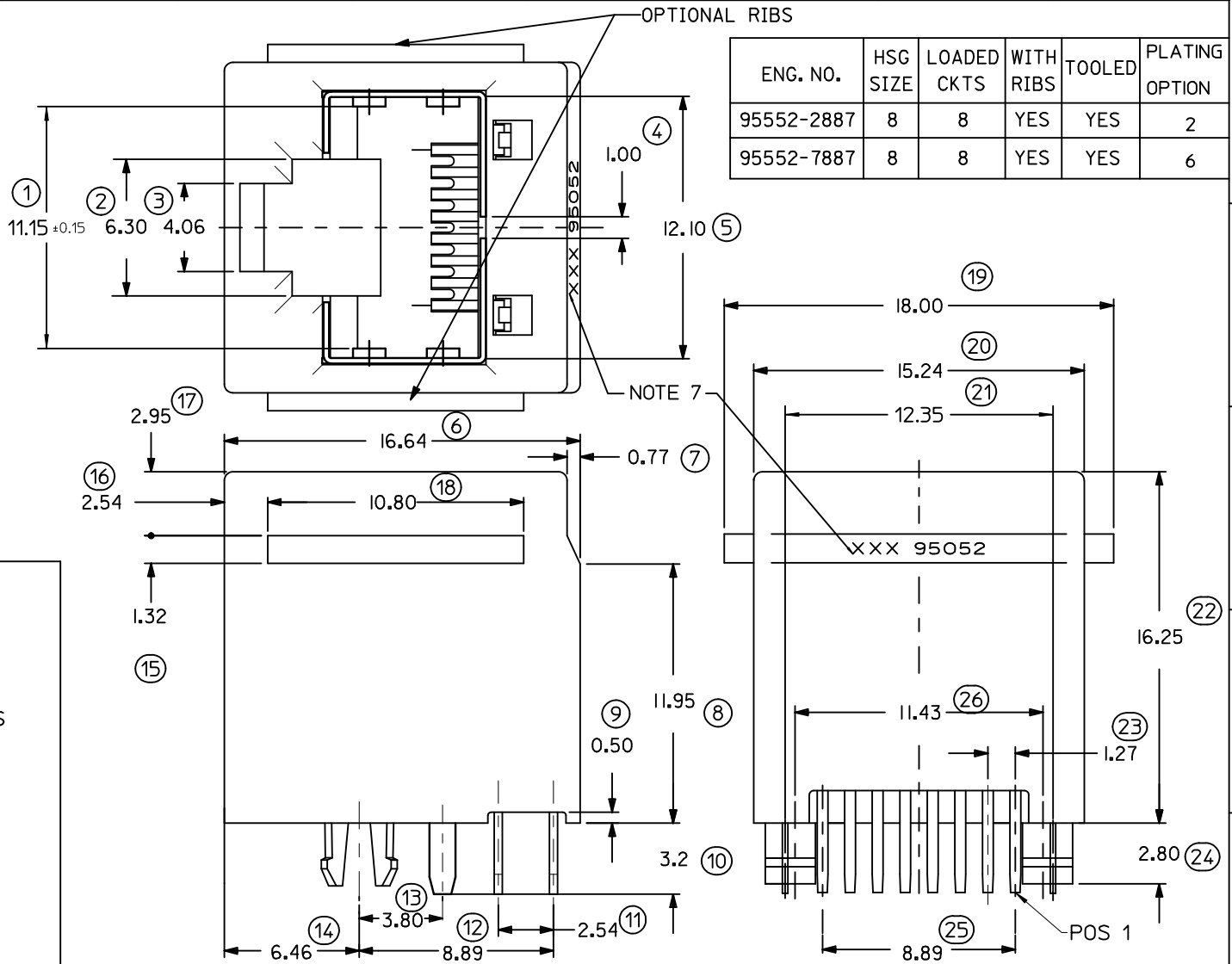


NOTES:

- 1- MATERIAL: HOUSING: LCP GLASS FILLED UL94-V0  
COLOUR: BLACK
- TERMINAL: BRASS,  
PLATING TYPE 2: PLATED WITH 0.00127 MIN GOLD  
IN CONTACT AREA, 0.00190 MIN PURE TIN  
IN TAIL AREA BOTH OVER 0.00127 MIN NICKEL OVERALL
- TYPE 6: POST PLATE 0.00005 MIN GOLD FLASH OVER  
0.00100 MIN PALLADIUM-NICKEL IN CONTACT AREA,  
0.00190 MIN PURE TIN IN TAIL AREA, BOTH OVER  
0.00127 MIN NICKEL OVERALL
- SHIELD: BRASS PLATED WITH 0.0020 MIN TIN
- 2- JACK FOR MATING WITH F.C.C. 68 TYPE PLUG  
MOLEX 95043 SERIES
- 3- P.C.BOARD THICKNESS: 1.57
- 4- PRODUCT SPECIFICATION: PS-95540-002
- 5- APPLICATION SPECIFICATION: AS-85513-001
- 6- PACKAGING SPECIFICATION: PK-95022
- 7- MANUFACTURING I.D. CAN BE EITHER MG, MXF OR MXI.
- 8- LAST INSPECTION NUMBER 26



P.C.B. MOUNTING PATTERNS  
(SCALE 2 : 1)  
VIEW FROM COMPONENT SIDE  
ALL DIMENSIONS REFERENCE ONLY

<b>ADDED PART OPTION</b> EC NO: E2012-0079 DRWING: DBYRNES 2011/09/14 CHKD: 2011/09/28 APPR: EFOLAN	QUALITY SYMBOLS ▽=0 ◻=0	GENERAL TOLERANCES (UNLESS SPECIFIED) <table border="1"> <thead> <tr> <th></th> <th>mm</th> <th>INCH</th> </tr> </thead> <tbody> <tr> <td>4 PLACES</td> <td>± ---</td> <td>± ---</td> </tr> <tr> <td>3 PLACES</td> <td>± ---</td> <td>± .010</td> </tr> <tr> <td>2 PLACES</td> <td>± 0.25</td> <td>± .014</td> </tr> <tr> <td>1 PLACE</td> <td>± 0.35</td> <td>± ---</td> </tr> </tbody> </table>		mm	INCH	4 PLACES	± ---	± ---	3 PLACES	± ---	± .010	2 PLACES	± 0.25	± .014	1 PLACE	± 0.35	± ---	DIMENSION STYLE <b>MM/IN</b>	SCALE <b>1:1</b>	DESIGN UNITS <b>METRIC</b>	THIRD ANGLE PROJECTION
		mm	INCH																		
	4 PLACES	± ---	± ---																		
	3 PLACES	± ---	± .010																		
2 PLACES	± 0.25	± .014																			
1 PLACE	± 0.35	± ---																			
DRAWN BY DBYRNES DATE 2007/02/28	CHECKED BY EOMAHONY DATE 2007/02/28	APPROVED BY JB DATE 2007/02/28	TITLE <b>TOP ENTRY SHIELDED JACK W.E. TYPE</b>	MATERIAL NO. <b>SEE CHART</b>	DOCUMENT NO. <b>SD-95552-001</b>	SHEET NO. <b>1 OF 1</b>															
DRAFT WHERE APPLICABLE MUST REMAIN WITHIN DIMENSIONS			SIZE <b>A3</b>	THIS DRAWING CONTAINS INFORMATION THAT IS PROPRIETARY TO MOLEX INCORPORATED AND SHOULD NOT BE USED WITHOUT WRITTEN PERMISSION																	
MOLEX INCORPORATED																					