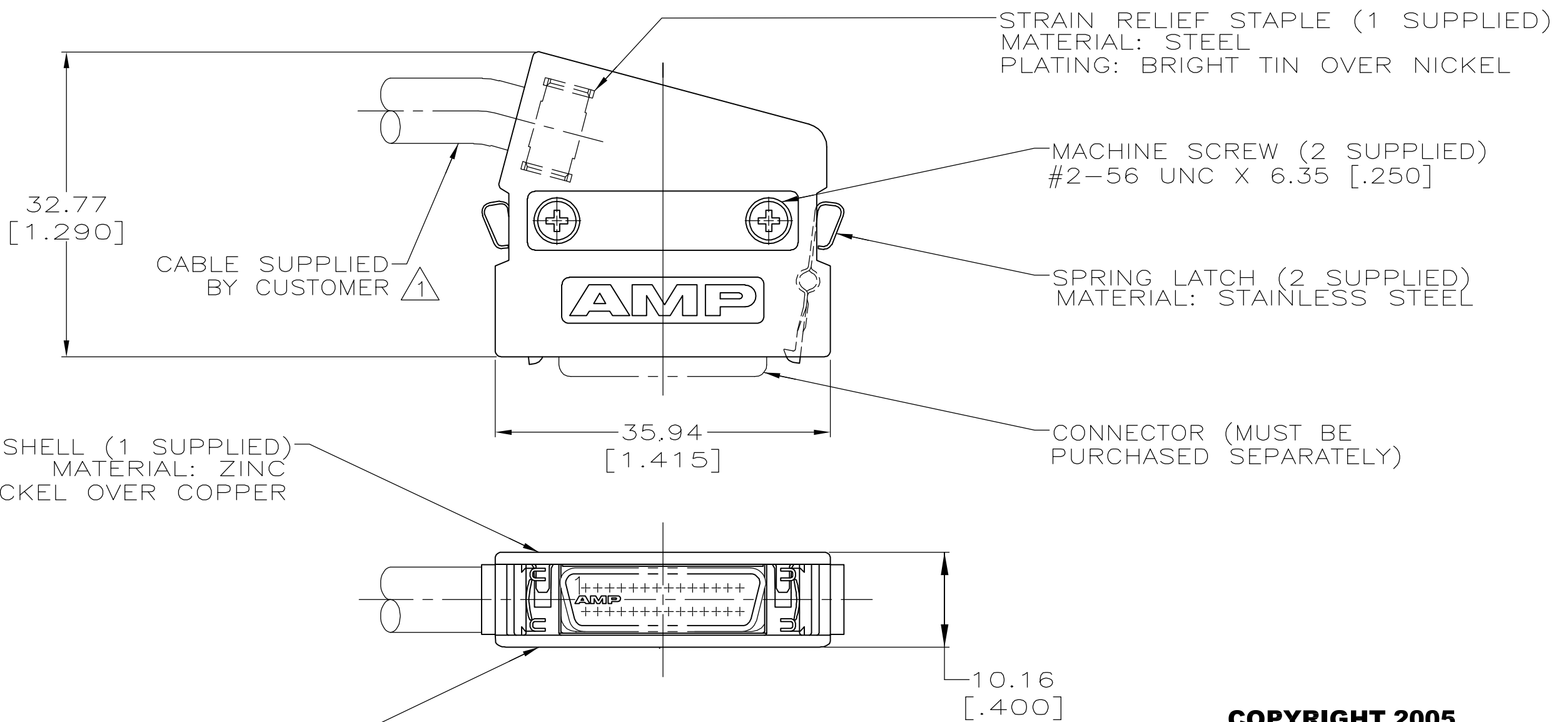


THIS DRAWING IS UNPUBLISHED. RELEASED FOR PUBLICATION
 © COPYRIGHT BY TYCO ELECTRONICS CORPORATION. ALL RIGHTS RESERVED.

LOC	DIST	REVISIONS					
GP	00	P	LTR	DESCRIPTION	DATE	DWN	APVD
		0		RELEASED PER EC OS13-0001-05	26AUG05	GP	JG



UPPER BACKSHELL (1 SUPPLIED)
MATERIAL: ZINC PLATING: NICKEL OVER COPPER

LOWER BACKSHELL (1 SUPPLIED)
MATERIAL: ZINC PLATING: NICKEL OVER COPPER

$\triangle 1$ 7.49 [.295] MAX CABLE DIA
 2. PARTS PACKAGED AS A UNIT KIT.

**COPYRIGHT 2005
 TYCO ELECTRONICS CORP
 ALL RIGHTS RESERVED**

5749200-1
 PART NO

THIS DRAWING IS A CONTROLLED DOCUMENT.		DWN G.PETERS 26AUG05	 Tyco Electronics Corporation Harrisburg, PA 17105-3608
DIMENSIONS: INCHES		CHK S.SHUEY 26AUG05	
		APVD M.WALMSLEY 26AUG05	
TOLERANCES UNLESS OTHERWISE SPECIFIED:		PRODUCT SPEC	NAME INDIVIDUAL KIT, UNASSEMBLED, 28 POSITION, 75' EXIT, UNKEYED, AMPLIMITE .050 Series
0 PLC ± -		APPLICATION SPEC	SIZE A3
1 PLC ± -		WEIGHT	CAGE CODE 00779
2 PLC ± -		CUSTOMER DRAWING	DRAWING NO G=5749200
3 PLC ± .038 [.015]		SCALE 1:1	RESTRICTED TO
4 PLC ± -		SHEET 1 OF 1	REV 0
ANGLES ± -			
FINISH			
MATERIAL			