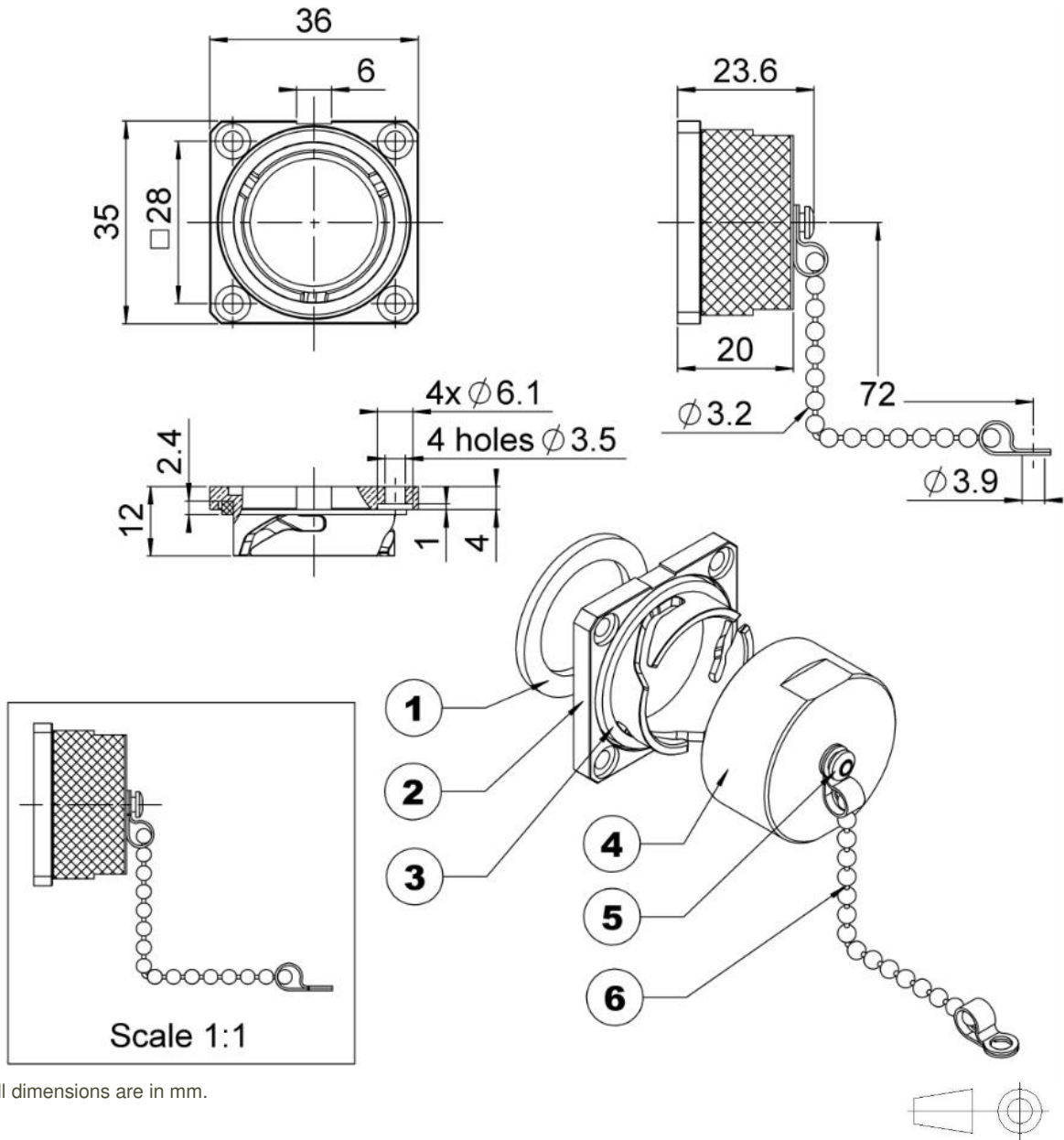


PAGE 1/2	ISSUE 18-10-18A	SERIES R2CT	PART NUMBER R2CT107018
----------	-----------------	-------------	------------------------



DESCRIPTION

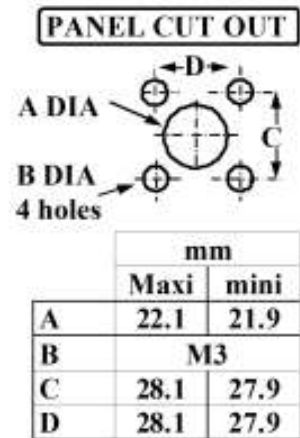
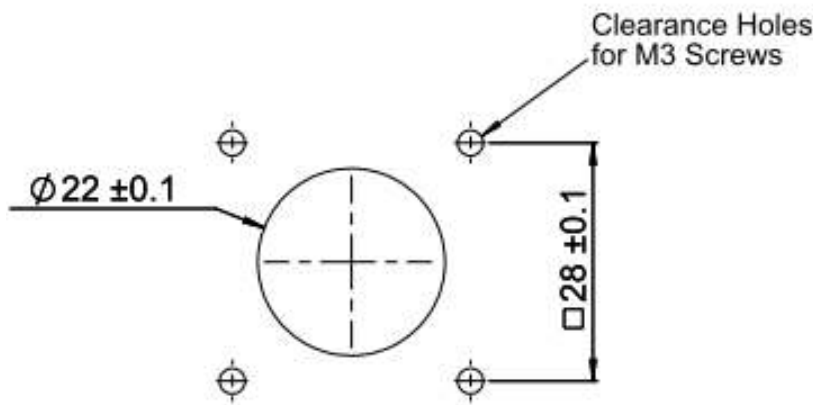
REP	COMPONENTS	MATERIALS	PLATING
1	GASKET PANEL SEALING	SILICONE + anti-fungus treatment	
2	RECEPTACLE BODY	BRASS	TIN NICKEL OVER COPPER
3	GASKET CONNECTION SEALING	SILICONE + anti-fungus treatment	
4	PROTECTION CAP	ALUMINIUM (matt finish)	ANODISING
5	LOCK PLATE	BRASS	BBR
6	CHAIN	BRASS	BBR

PAGE 2/2	ISSUE 18-10-18A	SERIES R2CT	PART NUMBER R2CT107018
----------	-----------------	-------------	-------------------------------

GENERAL CHARACTERISTICS

Mechanical : Endurance Vibrations	100 mating cycles In accordance with IEC 61300-2-1 IEC 60721-3-4 class 4M5 ETSI EN 300 019-2-4
Environmental: Protection Operating temperature RoHS	IP67(plugged with metal protection cap or mated part) -40°C to + 85°C Compliant
Weight :	46g
Packaging	56 pieces in one cardboard box (volume = 5L) For other packaging, contact us

PANEL CUT OUT



All dimensions are in mm.