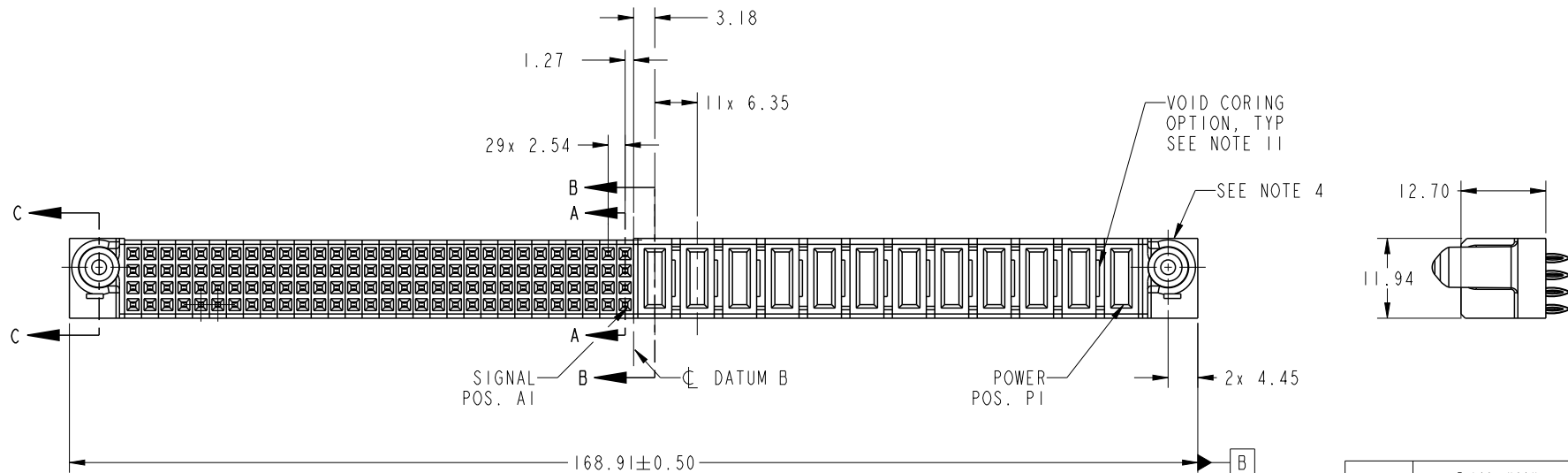


PRODUCT NO. 51940-560-- NOTE: 3	ROWS D C B A	E2	SIGNAL																	POWER										E1											
			30	29	28	27	26	25	24	23	22	21	20	19	18	17	16	15	14	13	12	11	10	9	8	7	6	5	4		3	2	1	P12	P11	P10	P9	P8	P7	P6	P5
			F																	PF																					

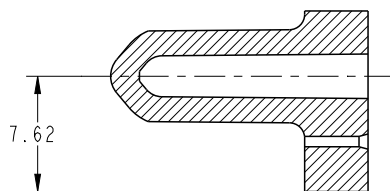
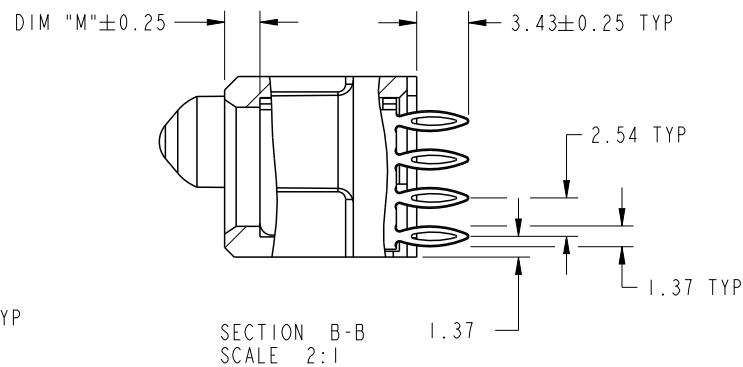
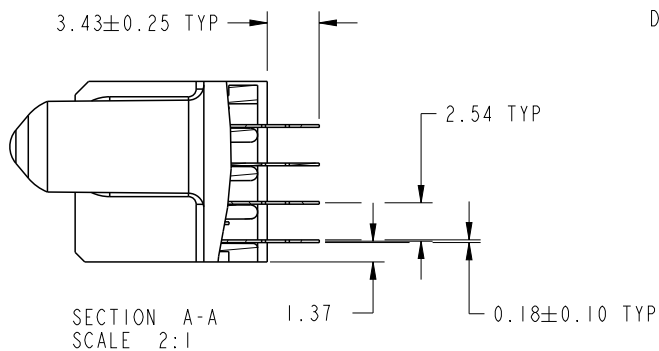


CODE	DIM "M" MATING LENGTH	CONTACT TYPE
PF	[2.34]	POWER
PC	[1.07]	POWER
F	[N/A]	SIGNAL

spec ref	*	dr	Ruan MT	2014/11/25	projection 	MM 	size	A4	scale	1:1		
tolerance std	TOLERANCES UNLESS OTHERWISE SPECIFIED	eng	Ruan MT	2014/12/26			ecn no	-				
SEE NOTE		chr	-	-								
surface	linear	0.X	±0.5	FCj www.fci.com	product family	PwrBlade	rel level	Released				
		0.XX	±0.25			title		12P + 120S	dwg no	51940-560	rev	A
	angular	0°	±2°					VERTICAL PF RECEPT		cat. no.		Product - Customer Drw

PRODUCT NUMBER

51940-560__
NOTE: 3



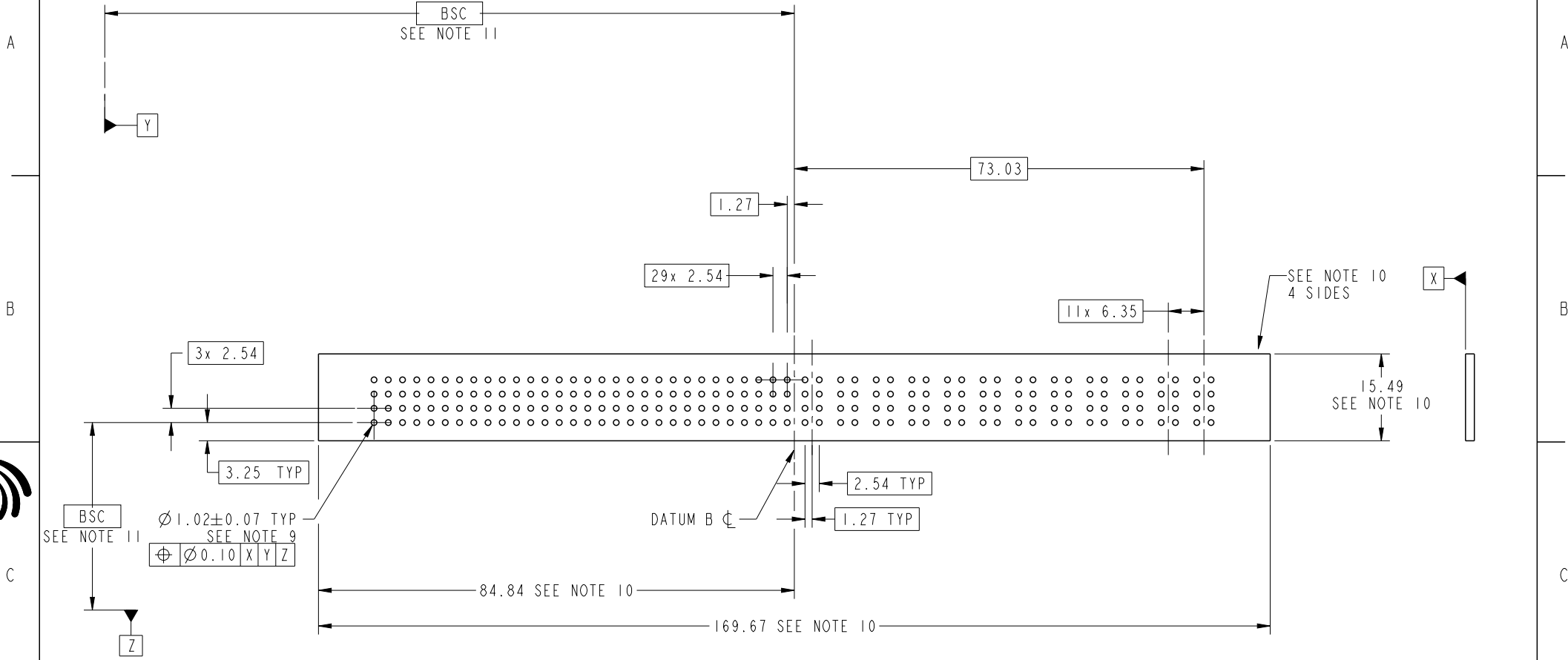
dr	Ruan MT	2014/11/25	projection 	MM 	size	A4	scale	1:1
eng	Ruan MT	2014/12/26			ecn no	-		
chr	-	-			rel level	Released		
appr	Pei-Ming Zheng	2014/12/26	product family	PwrBlade	rev	A		
		title 12P + 120S VERTICAL PF RECEPT	dwg no 51940-560	cat. no. *	Product - Customer Drw	sheet 2 of 4		



Copyright FCI.

PRODUCT NUMBER

51940-560--
NOTE: 3



RECOMMENDED PCB LAYOUT

dr	Ruan MT	2014/11/25	projection 	MM ←→	size	A4	scale	1:1
eng	Ruan MT	2014/12/26			ecn no	-		
chr	-	-			rel level	Released		
appr	Pei-Ming Zheng	2014/12/26	product family	PwrBlade				
	title	12P + 120S VERTICAL PF RECEPT		dwg no	51940-560		rev	A
www.fci.com	cat. no.	*	Product - Customer Drw		sheet 3 of 4			

PRODUCT NUMBER

51940-560__
NOTE: 3

NOTES:

1. DIMENSIONS AND TOLERANCES ARE IN ACCORDANCE WITH ASME Y14.5M, 1994 UNLESS OTHERWISE SPECIFIED.

CONNECTOR NOTES:

- ② HOUSING MATERIAL: UL 94 V-0 GLASS FILLED HIGH-TEMP THERMOPLASTIC
POWER CONTACT MATERIAL: COPPER ALLOY
SIGNAL PIN MATERIAL: COPPER ALLOY
- 3. SEE ITEM 7 & 8 IN PRINT 10064183 FOR PLATING SPEC OF 51940-560 AND 51940-560LF RESPECTIVELY.
- ④ MANUFACTURER'S NAME, DATE CODE AND OPTIONAL P/N TO APPEAR ON THIS SURFACE. THE MARK CAN BE OMITTED IF THERE IS NOT ENOUGH SPACE ON THIS SURFACE.
- 5. PRODUCT SPECIFICATION GS-12-149.
APPLICATION SPECIFICATION BUS-20-067.
- 6. PACKAGED IN TRAYS.
- PCB NOTES:
- 7. ALL HOLE DIAMETERS ARE FINISHED HOLE SIZE.
- ⑧ MOUNTING HOLES, WHERE APPLICABLE, ARE UNPLATED.
- ⑨ $\varnothing 1.151 \pm 0.025$ DRILLED HOLES PLATED WITH
0.008 MIN SnPb OR Sn OVER 0.03
TO 0.08 Cu PLATING TO ACHIEVE
 $\varnothing 1.02 \pm 0.07$ HOLE.
- ⑩ CONNECTOR KEEP-OUT ZONE.
- 11. THE VOID CORING IN BETWEEN POWER MODULES, SIGNAL MODULES AND END MODULES ARE OPTIONAL AND THE SHAPE MAY BE DIFFERENT FOR OPTIMIZE THE MOLDING PROCESS. THE VOID CORING WILL NOT EFFECT TO PRODUCT FUNCTION.
- ⑫ DATUM AND BASIC DIMENIONS ARE ESTABLISHED BY CUSTOMER.

dr	Ruan MT	2014/11/25	projection 	MM 	size	A4	scale	1:1			
eng	Ruan MT	2014/12/26			ecn no	-					
chr	-	-			product family	PwrBlade	rel level	Released			
appr	Pei-Ming Zheng	2014/12/26			title	12P + 120S		dwg no	51940-560	rev	A
www.fci.com		cat. no.	*	Product - Customer Drw			sheet 4 of 4				



Copyright FCI.