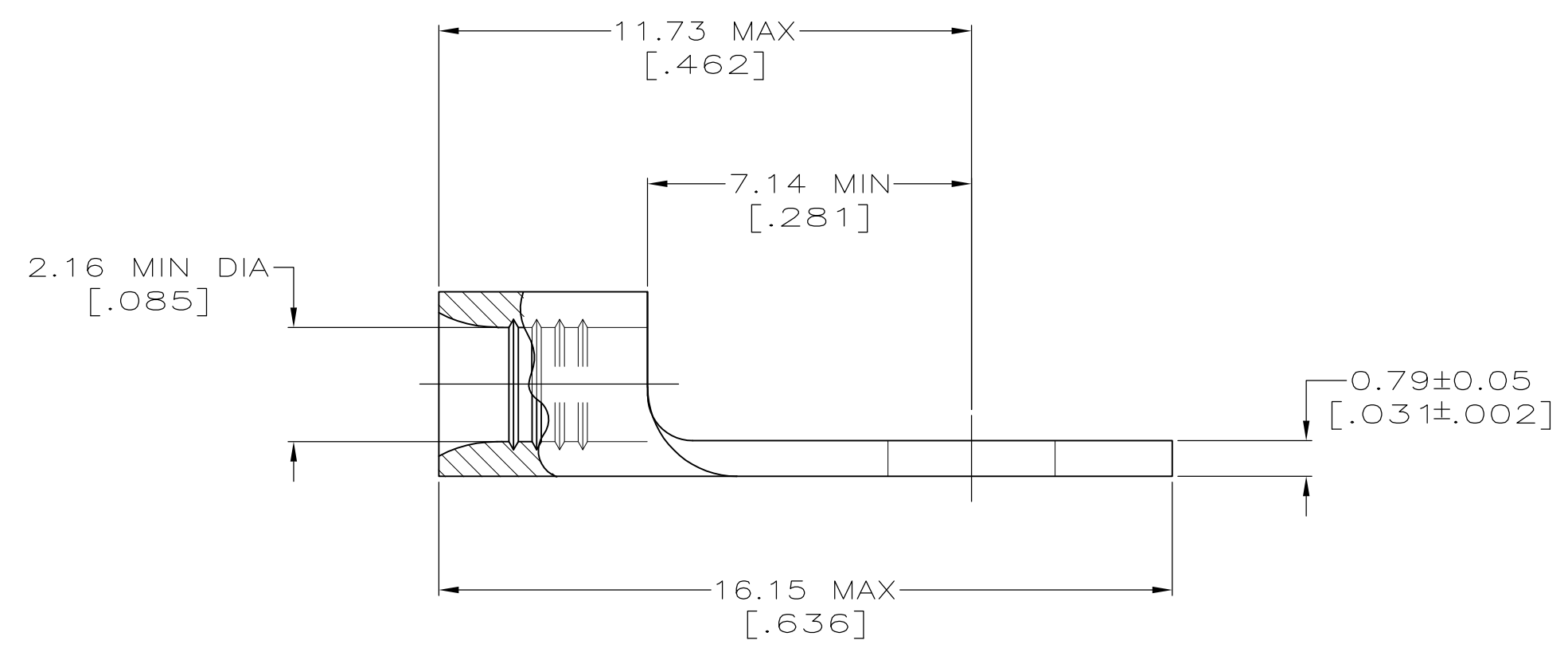


AMP WIRE RANGE	E13288 Listed
16-14 AWG SOLID OR STRANDED	16-14 AWG SOLID OR STRANDED
LR7189 Certified	MILITARY P/N AND CLASS
16-14 AWG SOLID OR STRANDED	NOT APPLICABLE

- ① STAMP AMP 16-14* APPROX AS SHOWN
- ② 0.00254 [.000100] MIN TIN PER ASTM B-545.
- ③ CLEANED, UNPLATED



③	-	LOOSE PIECE	34122-1
②	100	LOOSE PIECE, BOX	8-34122-1
	5000	ON TAPE	2-34122-1
	---	LOOSE PIECE	34122
FINISH	QUANTITY	PACKAGING TYPE	PART NO

AMP INCORPORATED CUSTOMER SERVICE SYSTEMS		MAX RECOMMENDED OPERATING TEMPERATURE: 170° C MAX
FOR ADDITIONAL PRODUCT INFORMATION OR COPIES OF DRAWINGS AND TECHNICAL DOCUMENTS	PRODUCT INFORMATION CENTER 1-800-522-6752	VOLTAGE RATING: NOT APPLICABLE
FOR APPLICATION TOOLING INFORMATION	TOOLING ASSISTANCE CENTER 1-800-722-1111	WIRE CROSS SECTIONAL AREA RANGE: 1.04-2.62mm ² [2,050-5,180] CIR MILS SOLID OR STRANDED
FOR ORDER ENTRY	1-800-526-5142	THIS DRAWING IS A CONTROLLED DOCUMENT FOR AMP INCORPORATED. IT IS SUBJECT TO CHANGE AND THE CONTROLLING ENGINEERING ORGANIZATION SHOULD BE CONTACTED FOR THE LATEST REVISION.

THIS DRAWING IS A CONTROLLED DOCUMENT.		DWN TA BRINKMAN 3-17-93	TE Connectivity
DIMENSIONS: mm[INCHES]		CHK DA PATTERSON 3-17-93	
TOLERANCES UNLESS OTHERWISE SPECIFIED:		APVD DE MILLER 3-17-93	NAME TERMINAL, RING TONGUE, SOLISTRAND
0 PLC ± -		PRODUCT SPEC	SIZE A2
1 PLC ± -		APPLICATION SPEC	CAGE CODE 00779
2 PLC ± -		WEIGHT	DRAWING NO G-34122
3 PLC ± -		MATERIAL COPPER PER ASTM B-152 ANNEALED	RESTRICTED TO
4 PLC ± -		FINISH	SCALE 8:1
ANGLES ± ± -		CUSTOMER DRAWING	SHEET 1 OF 1
			REV G1