

Next Generation High Performance Analog Broadcast Video Solutions

M21232

HD/SD Broadcast Video Co-axial Cable Drivers

The M21232 is an evolution of Mindspeed's single channel HD/SD video co-axial cable drivers that provide significant power savings with superior performance and flexible power supply options when compared to other competing single channel cable drivers.

The devices are packaged in a new 3x3mm high performance MLF package for improved output return loss (ORL) performance and extremely close placement to the output BNC. Both cable drivers will be available in a GREEN (RoHS) compliant package option.

The M21232 provides nominal 800mVp-p SMPTE output swings with a fixed resistor value but has additional output swing headroom to provide 1200mVp-p maximum amplitude single-ended output swings.

The M21232 is complemented by the M21235 HD/SD video multi-rate reclocker, the M21245 HD/SD reclocker/cable driver in 7x7 MLF packaging, and the M21234 HD/SD video cable equalizer in a 5x5mm MLF package to optimize performance and density in new multi-rate designs.

Additional unique Mindspeed devices include the HD/SD quad channel reclocking and asynchronous switching families:

- M21250, DS-M21251, DS-M21252 quad channel multi-rate video reclockers

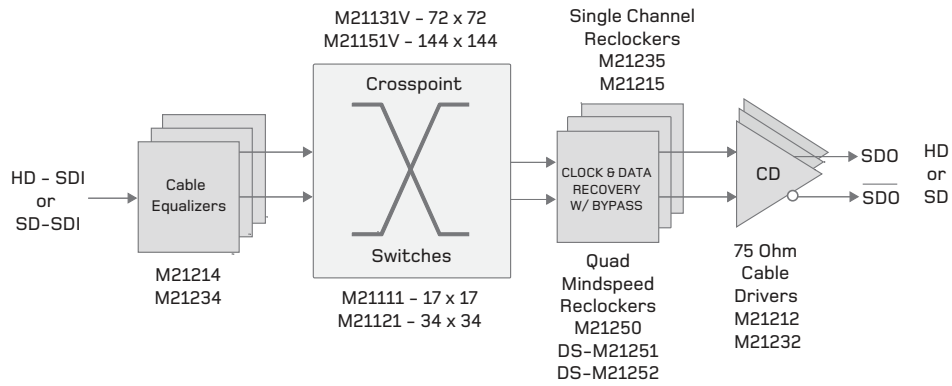
KEY FEATURES

- SMPTE 292M, SMPTE 259M, SMPTE 344M compliant
- Supports data rate operation of 143, 177, 270, 360, 540, 1483.5/1485 Mbps and DVB-ASI at 270 Mbps
- Fully differential signal paths
- LVPECL compatible input
- SD/HD Slew rate control input
- RoHS compliant or Recycler Pkg.
- 2.5V or 3.3V Operation
- Reduced power dissipation
 - 90mW typical @ 2.5V
 - 120mW typical @ 3.3V
- 50mVp-p differential input voltage sensitivity
- Increased operating temperature range:
 - 10°C to +85°C
- 1200mVpp Max. output swing

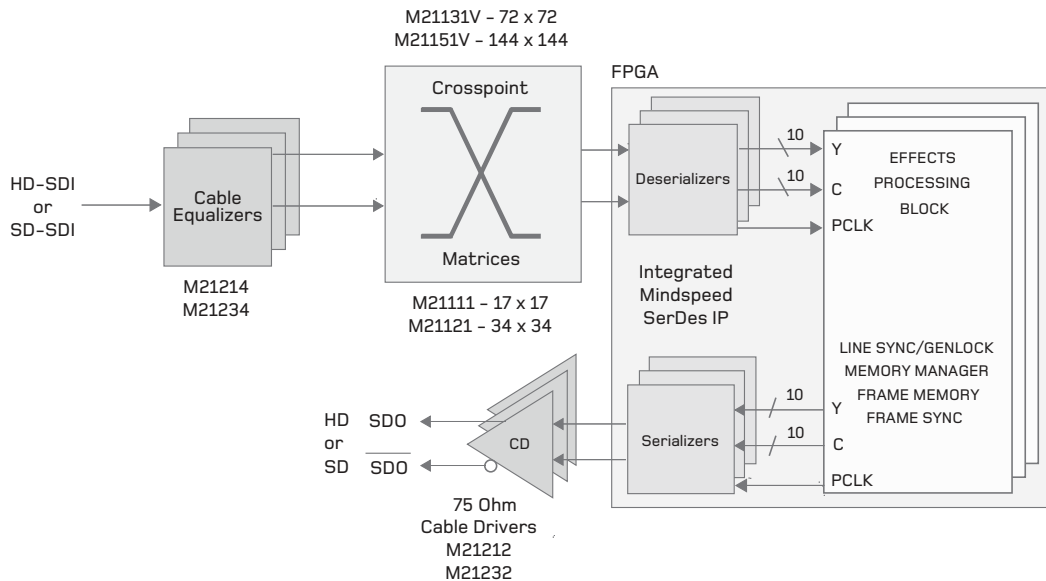
- M21260 4x4 1.6 Gbps video crosspoint switch with quad multi-rate reclockers
- DS-M21261 1:4 1.6 Gbps video fanout with SD/HD multi-rate reclocking
- DS-M21262 4:1 1.6 Gbps video selector with SD/HD multi-rate reclocker

Mindspeed's innovative circuit architecture enables next generation systems with flexible power supply operation of 2.5V to 3.3V with 40% to 50% typical to MAX power reduction @ 2.5V (25% to 42% @ 3.3V) supply rails and a wider operating temperature range (-10° to + 85°C).





HD/SD Serial Routing Switcher Application Diagram



HD/SD Production & Master Control Switcher Application

Product Features

Applications

- Small to large serial routing switchers
- Master control switchers
- Productions switchers
- Distribution amplifiers
- SD/HD-SDI processing gear

Ordering Information

- M21232-32: HD/SD Video Cable Driver (143M-1600M)
- M21232G-32: HD/SD Video Cable Driver (143M -1600M) (RoHS compliant package)

Package: 3x3mm, 16 pin MLF
3x3mm, 16 pin MLF
(RoHS compliant package)

www.mindspeed.com/salesoffices

General Information: (949) 579-3000

Headquarters – Newport Beach

4000 MacArthur Blvd., East Tower

Newport Beach, CA 92660-3007

21232-BRF-001-D.pdf

© 2006 Mindspeed Technologies, Inc. All rights reserved. Mindspeed and the Mindspeed logo are trademarks of Mindspeed Technologies. All other trademarks are the property of their respective owners. Although Mindspeed Technologies strives for accuracy in all its publications, this material may contain errors or omissions and is subject to change without notice. **This material is provided as is and without any express or implied warranties, including merchantability, fitness for a particular purpose and non-infringement.** Mindspeed Technologies shall not be liable for any special, indirect, incidental or consequential damages as a result of its use.

MINDSPEED
BUILD IT FIRST™