

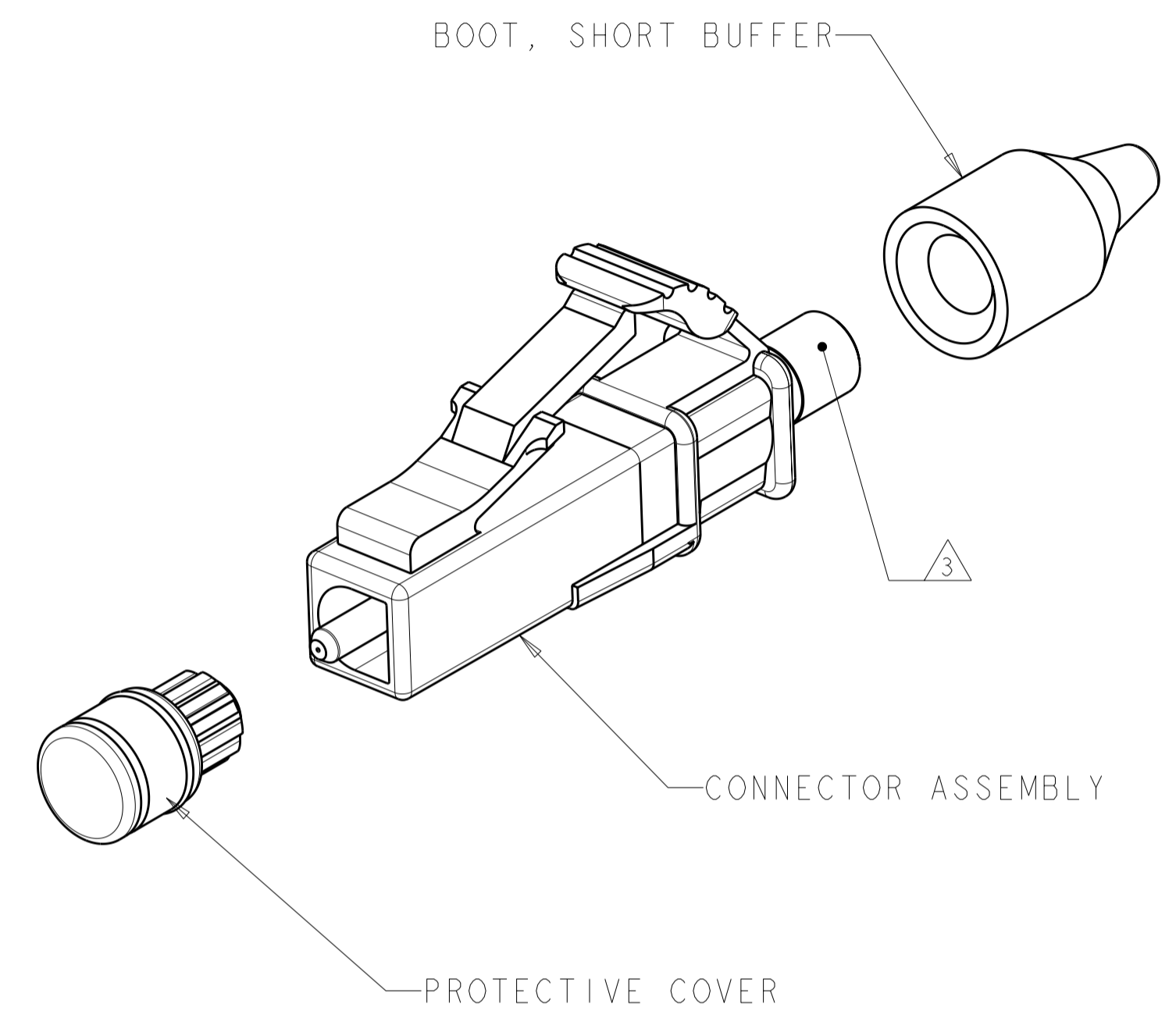
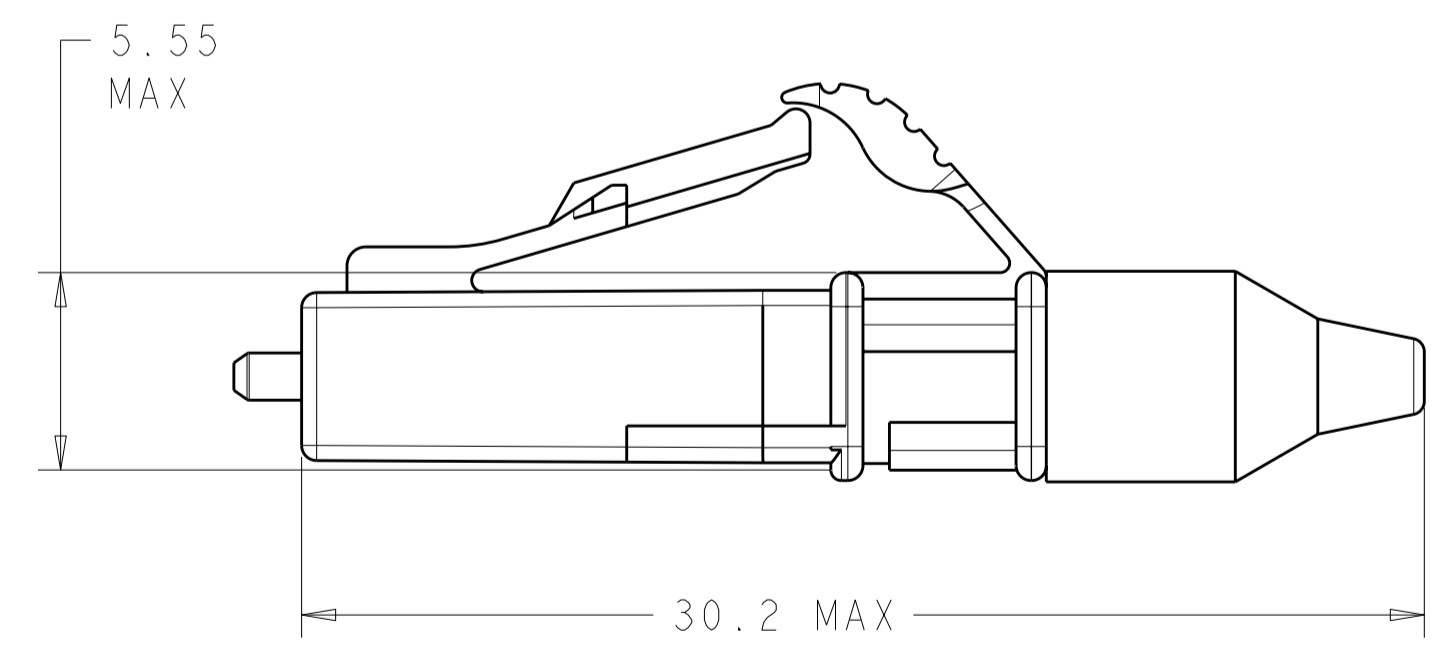
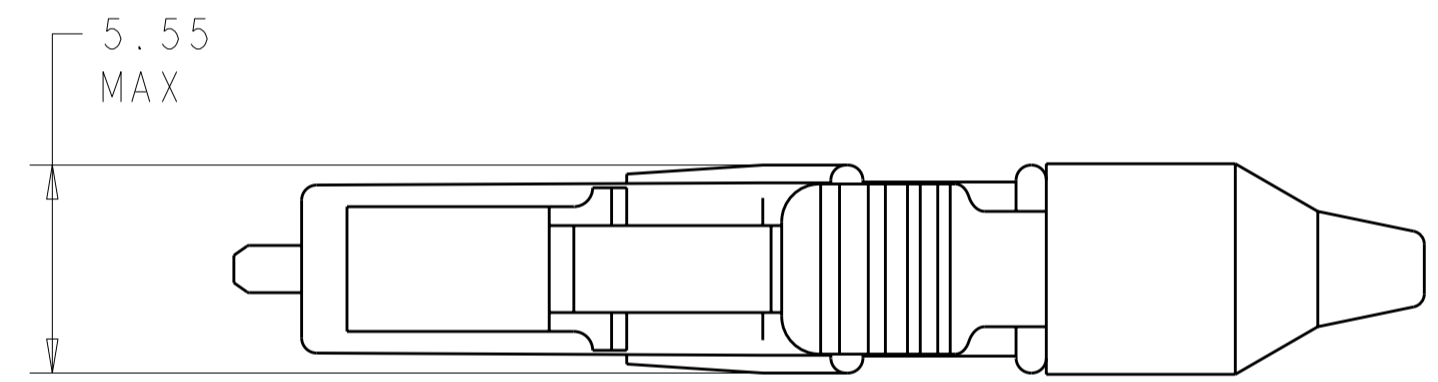
THIS DRAWING IS UNPUBLISHED. RELEASED FOR PUBLICATION 20
 © COPYRIGHT 20 BY TYCO ELECTRONICS CORPORATION. ALL RIGHTS RESERVED.

LOC	DIST	REVISIONS			
P	LTR	DESCRIPTION	DATE	DWN	APVD
CE	00	B2	REVISE NOTE 2	12MAR2009	BB SB
		C	REVISED PER ECR 10-007692	06MAY2010	DLF CB

1 MATERIAL: PROTECTIVE COVER: TPE, COLOR: BLACK, UL94 V-0*
 FERRULE SUB ASSEMBLY: ZIRCONIA/METAL.
 COMPRESSION SPRING: STAINLESS STEEL.
 HOUSING: PPSU, COLOR:SEE DASH NO'S.
 INNER TUBING: PTFE, COLOR: CLEAR, UL VW-1.
 REAR BODY: METAL
 BOOT: TPE, COLOR:BLUE, UL94 V-0*
 *RATED AT QUALIFYING THICKNESS.

2. INSTRUCTION SHEET: 408-8675 AVAILABLE FOR DOWNLOAD AT
www.tycoelectronics.com/documents OR www.ampnetconnect.com/foguide.

3 BLACK DOT SIGNIFIES SINGLEMODE.



SLATE	1-1828862-0
ORANGE	1828862-9
VIOLET	1828862-8
BROWN	1828862-7
AQUA	1828862-6
ROSE	1828862-5
BLUE	1828862-4
GREEN	1828862-3
YELLOW	1828862-2
RED	1828862-1
COLOR	PART NO

THIS DRAWING IS A CONTROLLED DOCUMENT FOR TYCO ELECTRONICS CORPORATION. IT IS SUBJECT TO CHANGE AND THE CONTROLLING ENGINEERING ORGANIZATION SHOULD BE CONTACTED FOR THE LATEST REVISION.		DWN D. ERDMAN 22FEB2006	Tyco Electronics Harrisburg, PA 17105-3608	
DIMENSIONS: mm		CHK M. GURRERI 22FEB2006	NAME KIT, CONNECTOR, LC SECURE. SIMPLEX, SM, 900um BUFFER	
TOLERANCES UNLESS OTHERWISE SPECIFIED: 0 PLC ± 1 PLC ±0.1 2 PLC ±0.01 3 PLC ± 4 PLC ± ANGLES ± FINISH		APVD D. BAECHTLE 22FEB2006	RESTRICTED TO	
MATERIAL		PRODUCT SPEC -	SIZE A2	CAGE CODE 00779
-		APPLICATION SPEC -	DRAWING NO 1828862	REV C
-		WEIGHT -	SCALE 5:1 SHEET 1 OF 1	
-		CUSTOMER DRAWING		