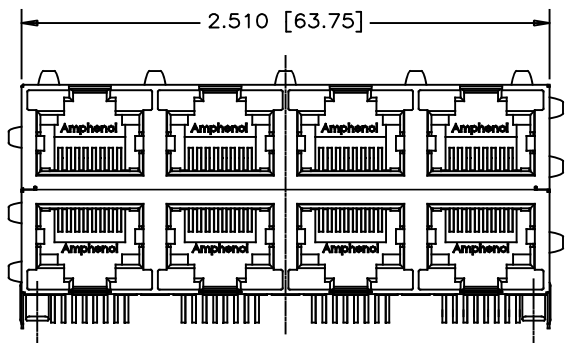
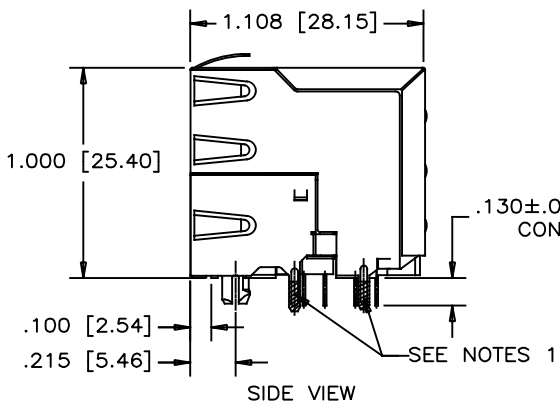


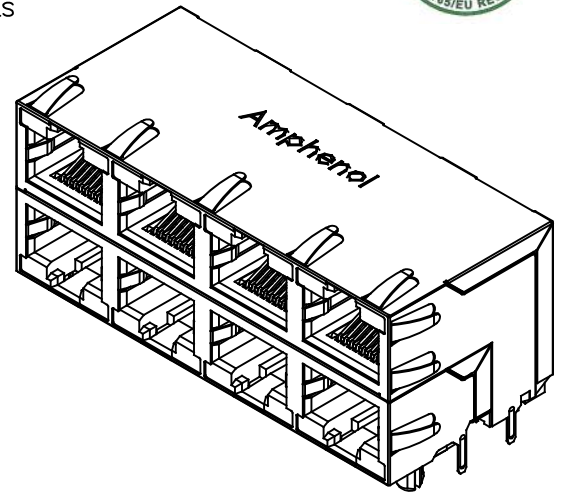
REVISIONS			
REV	DESCRIPTION, ECN, EAR NO.	DATE	APP'D
A	PROPOSAL	FEB02/22	L.CHAN



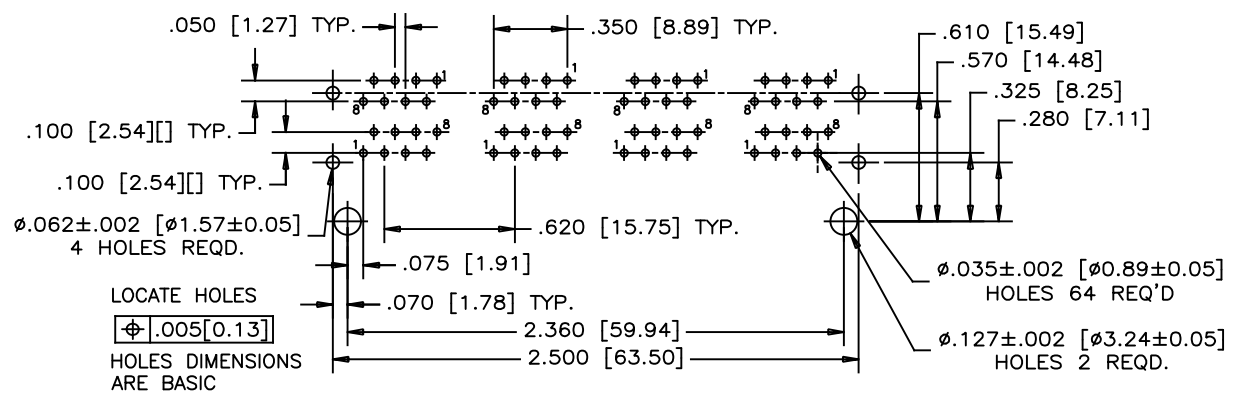
FRONT VIEW



SIDE VIEW



ISOMETRIC VIEW



RECOMMENDED P.C.B LAYOUT
(COMPONENT SIDE OF BOARD)

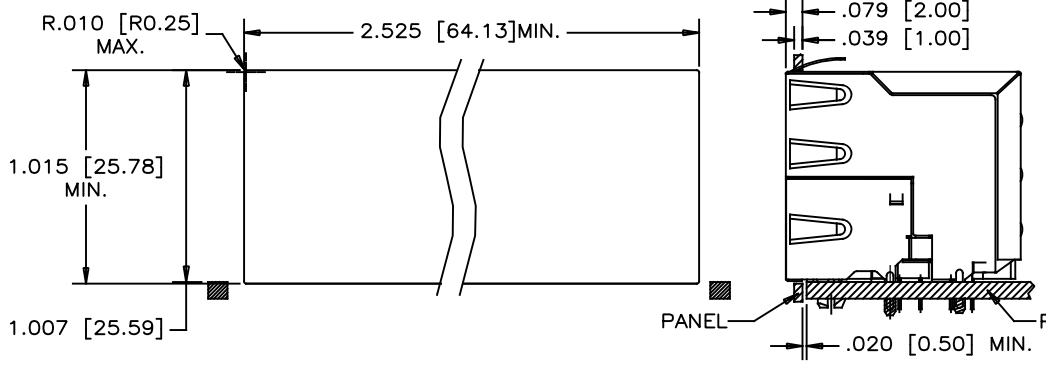
NOTES:

- MATERIALS:
CONTACTS: PHOSPHOR BRONZE, SELECTIVE GOLD PLATING ON MATING SURFACES SEE PART NO. FOR THICKNESS. 50 MICROINCHES MIN. NICKEL OVERALL. 100 MICROINCHES MIN. MATTE TIN OR GOLD FLASH ON TAILS.
HOUSING: ENGINEERING PLASTIC, FLAMMABILITY RATING UL 94V-0, COLOR: BLACK
SHIELD: COPPER ALLOY.
PLATING: NICKEL WITH TIN FINISHED ON PCB TAILS.

- RECOMMENDED SOLDERING TEMPERATURE:
WAVE SOLDERING PEAKED AT 260°C FOR 5-8 SECONDS.

AMPHENOL PART NO.: RJSAE-X380-A8

- GOLD PLATING OPTION:
D=6u" GOLD PLATING
G=15u" GOLD PLATING
J=30u" GOLD PLATING
5=50u" GOLD PLATING



RECOMMENDED PANEL CUTOUT

UNLESS SPECIFIED OTHERWISE	DRAWN	RONNIE.C	FEB08/22
PRIMARY UNITS INCHES	CHECKED	KELVIN.T	FEB08/22
SECONDARY MILLIMETERS	M.E. APP'D		
REFERENCE IN PARENTHESES	Q.A. APP'D		
GENERAL TOLERANCES	DWG APP'D		
1 DECIMAL PLACE	ENG. REL. NO.		
2 DECIMAL PLACES	REF.		
3 DECIMAL PLACES ±.015	THIRD ANGLE PROJECTION		
ANGULAR DEGREES ±1.5°	DO NOT SCALE DRAWING		

Amphenol Canada Corp. Commercial Products	
STACKABLE MULTI-PORT MODULAR JACK, 8 POS. 8 CONTACTS, WITHOUT LED, SHIELDED, .130INCH CONTACT TAILS -RoHS COMPLIANT	
DWG NO. P-RJSAE-X380-A8	REV A
CODE ID NO. 03554	DWG SIZE X SCALE N/A SHEET 1 OF 1