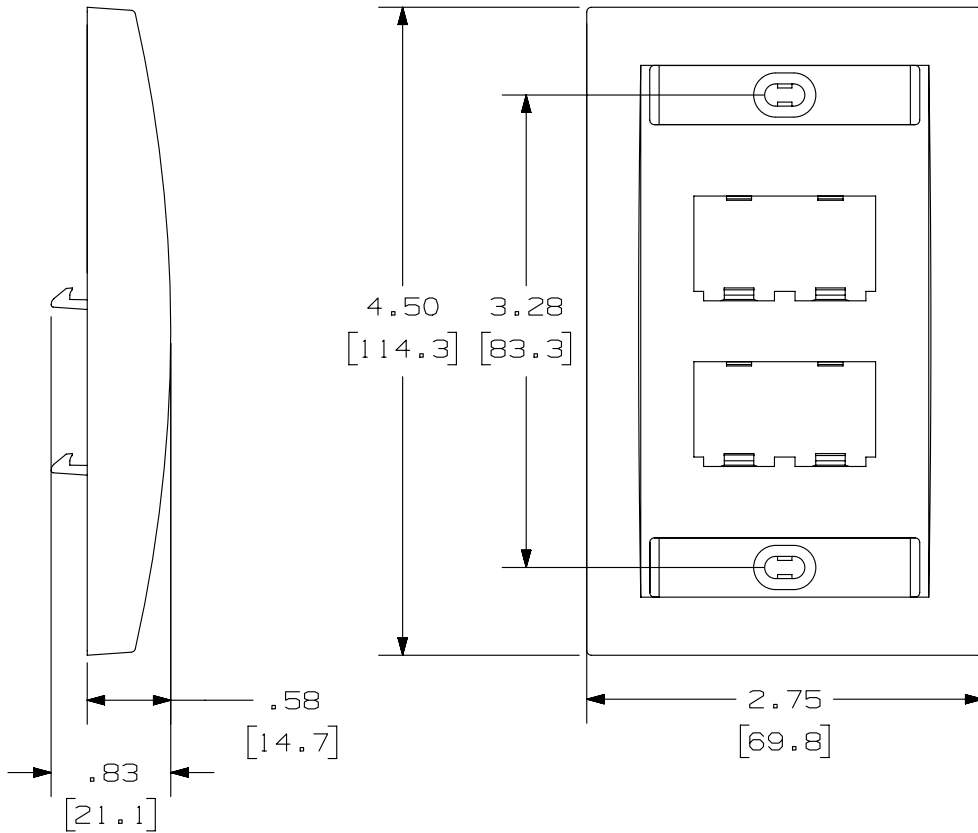


THIS COPY IS PROVIDED ON A RESTRICTED BASIS AND IS NOT TO BE USED IN ANY WAY DETRIMENTAL TO THE INTERESTS OF PANDUIT CORP.

PANDUIT P/N	WEIGHT
CFPE4**Y	.71 LB/10 PCS (322.1 g/10 PCS)

NOTES:

- SEE CURRENT CATALOG FOR ADDITIONAL PART NUMBER SUFFIXES TO INDICATE COLOR AND OR PACKAGE QUANTITY.
- SEE CATALOG FOR COMPLETE LIST OF PARTS APPLICABLE FOR USE WITH THIS PART.
- DIMENSIONS IN [] ARE IN METRIC.
- PART INCLUDES:
1- FACEPLATE
2- LABEL
2- LABEL COVER
2- MOUNTING SCREW



PART NUMBER		CFPE4**Y	
TITLE			
MINI-COM 4 POSITION EXECUTIVE SERIES VERTICAL FACEPLATE			
CUSTOMER DRAWING			
ITEM REVISION NAME		M02479EL/00	
DATASET FILE NAME		M02479EL_DC118/00B	
UNLESS OTHERWISE SPECIFIED, DIMENSIONAL TOLERANCES ARE: IN [mm]		MATERIAL:	
.x ± .xx ± .03 [.8]		ABS	
.xxx ± .010 [.3]		DRAWING NUMBER:	
ANGLES ±		02479-118	
THIRD ANGLE PROJECTION		SHT 1 OF 1	
DRAWN BY	DATE	CHK	SCALE
JSP	4-26-06	MJD	NONE
REV	DATE	BY	CHK
1		JSP	REFR
R		JSP	MJD
APR	DESCRIPTION	ECN	
	A. REVISED DRAWING TITLE BLOCK.	02479-118	
	RELEASED TO PRODUCTION	02479-118	

D10100DA/14

2

1

2

1