

# SMT Common Mode Chokes

PA5140XXXNL & PA5141.XXXNL Series



- Ⓢ EP18 & EP22 Platforms
- Ⓢ 19.5x19.8x19.2mm & 23.5x24.3x22.7mm
- Ⓢ 110uH/33A to 350uH/13A
- Ⓢ 1000Vrms Isolation (380Vrms continuous)

Electrical Specifications @ 25°C - Operating Temperature -40°C to +125°C

Part Number	Inductance (1-2)=(4-3) (uH ±40%)	I <sub>rated</sub> (A)	Leakage Induc- tance (1-2) with (3-4) shorted (uH TYP)	Capacitance (1,2) to (4,3) (pF TYP)	DCR (1-2)=(4-3) (mΩ)		Self Resonant Frequency (1-2)=(4-3) (MHz TYP)	Impedance at SRF (kΩ TYP)
					TYP	MAX		
PA5140.105NL	154.0	21	0.7	5.0	1.70	2.2	3.30	0.82
PA5140.205NL	220.0	20	1.0	6.1	2.20	2.60	3.66	1.09
PA5140.305NL	305.0	17	1.5	7.2	3.20	3.85	3.00	1.57
PA5140.405NL	400.0	14	2.0	8.2	4.60	5.50	2.84	1.67
PA5141.105NL	110.0	32	0.7	6.5	0.90	1.10	2.82	0.50
PA5141.205NL	190.0	30	0.9	8	1.10	1.35	3.35	0.70
PA5141.305NL	260.0	26	1.3	5.3	1.70	2.10	2.82	1.05
PA5141.405NL	360.0	22	1.8	6	2.40	2.90	2.1	1.55
PA5141.505NL	470.0	18	2.0	5.7	3.50	4.20	1.96	1.95

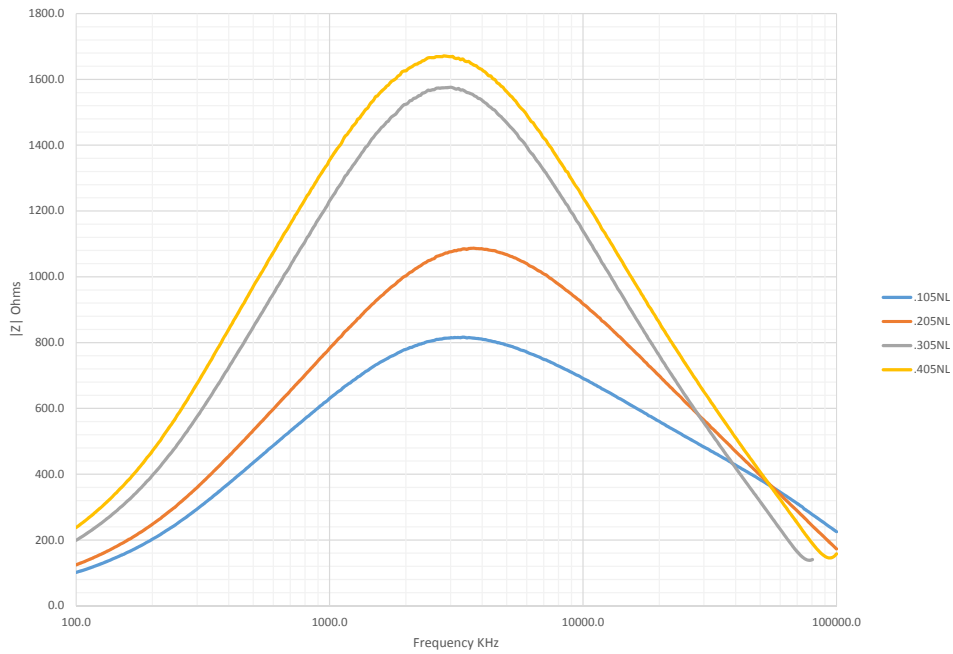
**NOTE:**

1. The current rating (I<sub>rated</sub>) is based upon the temperature rise of the component and represents the rms current which will cause a typical temperature rise of 60°C with free air cooling.
2. The temperature of the component (ambient plus temperature rise) must be within the stated operating temperature range.
3. Optional Tape & Reel packaging can be ordered by adding a "T" suffix to the part number (i.e. PA5140.105NL becomes PA5140.105NLT). Pulse complies to industry standard tape and reel specification EIA481.

## Impedance Plots

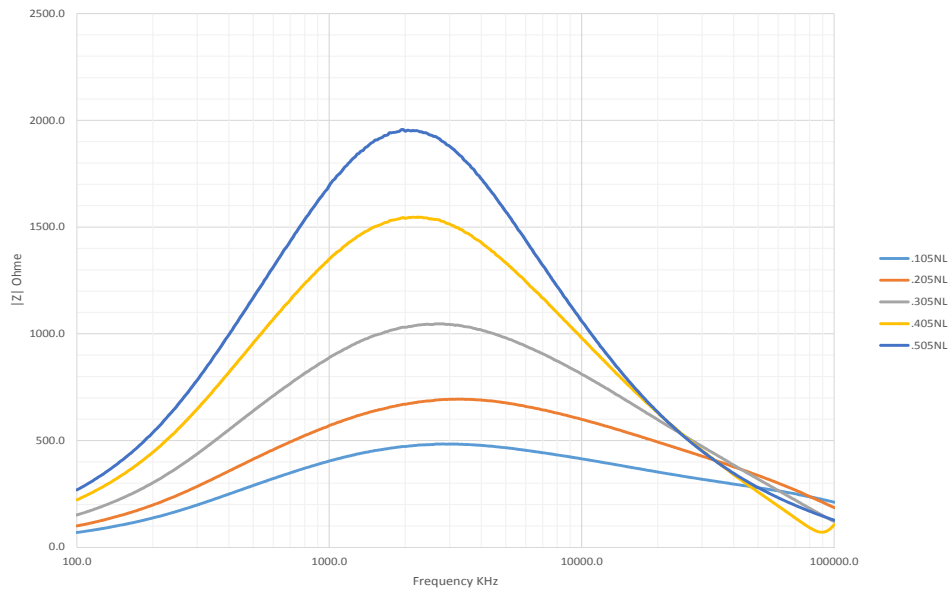
### PA5140.XXXNL

Impedance Curve



### PA5141.XXXNL

Impedance Curve

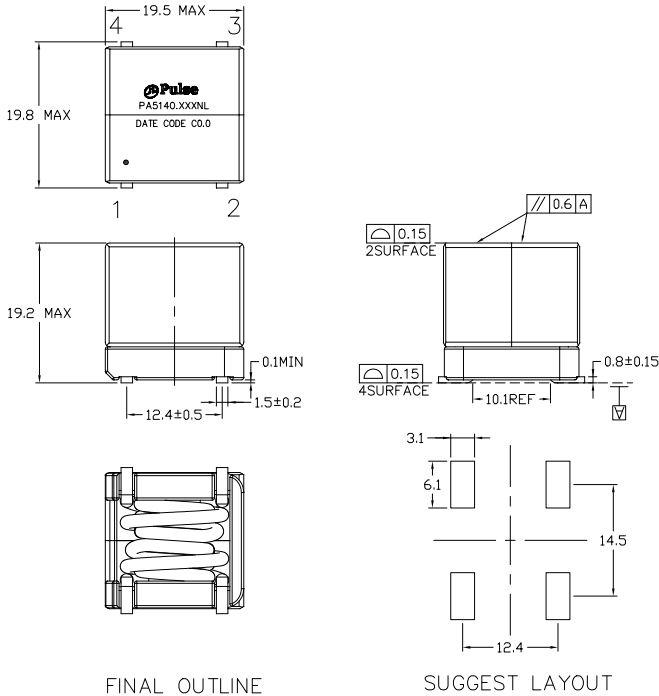


# SMT Common Mode Chokes

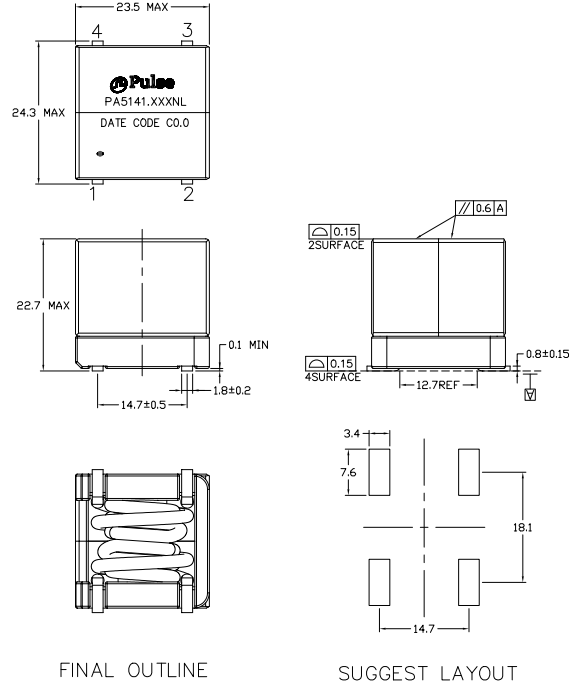
PA5140XXXNL & PA5141.XXXNL Series

## Mechanicals

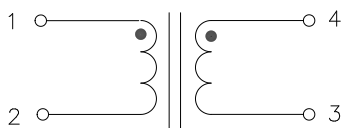
### PA5140.XXXNL



### PA5141.XXXNL



### Schematic



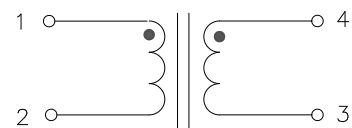
**Weight (TYP)** ..... 20 grams

**Tape & Reel** ..... 70/ Reel

**Dimensions: mm**

Unless otherwise specified, all tolerance are ±0.25

### Schematic



**Weight (TYP)** ..... 38 grams

**Tape & Reel** ..... 45/ Reel

**Dimensions: mm**

Unless otherwise specified, all tolerance are ±0.25

### For More Information:

**Americas** - [prodinfo\\_power\\_americas@pulseelectronics.com](mailto:prodinfo_power_americas@pulseelectronics.com) | **Europe** - [prodinfo\\_power\\_emea@pulseelectronics.com](mailto:prodinfo_power_emea@pulseelectronics.com) | **Asia** - [prodinfo\\_power\\_asia@pulseelectronics.com](mailto:prodinfo_power_asia@pulseelectronics.com)

Performance warranty of products offered on this data sheet is limited to the parameters specified. Data is subject to change without notice. Other brand and product names mentioned herein may be trademarks or registered trademarks of their respective owners. © Copyright, 2021. Pulse Electronics, Inc. All rights reserved.