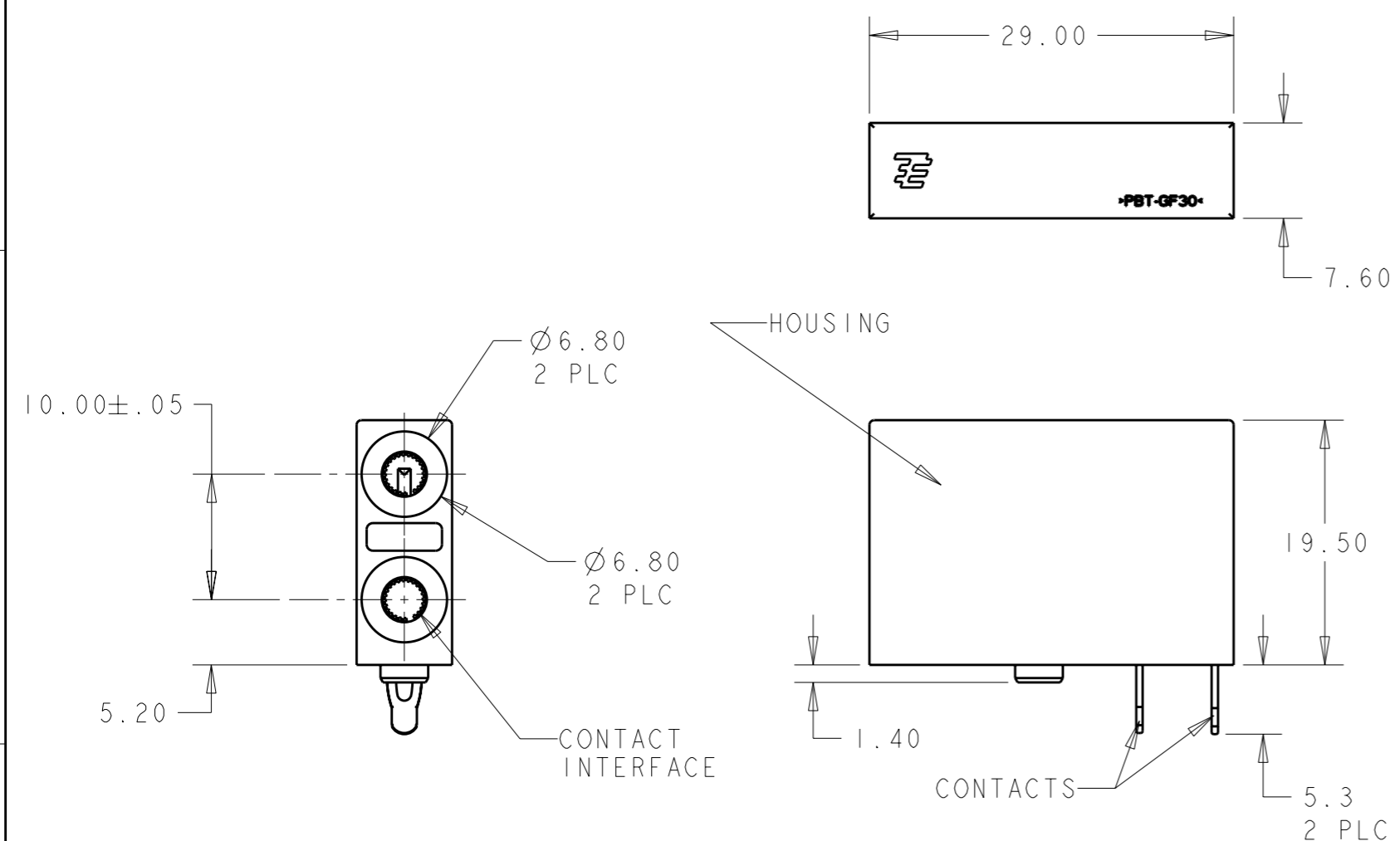


THIS DRAWING IS UNPUBLISHED. RELEASED FOR PUBLICATION 20
 © COPYRIGHT 20 BY TYCO ELECTRONICS CORPORATION. ALL RIGHTS RESERVED.

LOC	DIST	REVISIONS					
		P	LTR	DESCRIPTION	DATE	DWN	APVD
GP	00		C	REV PER ECO-08-018594	07AUG2008	DL	GRD



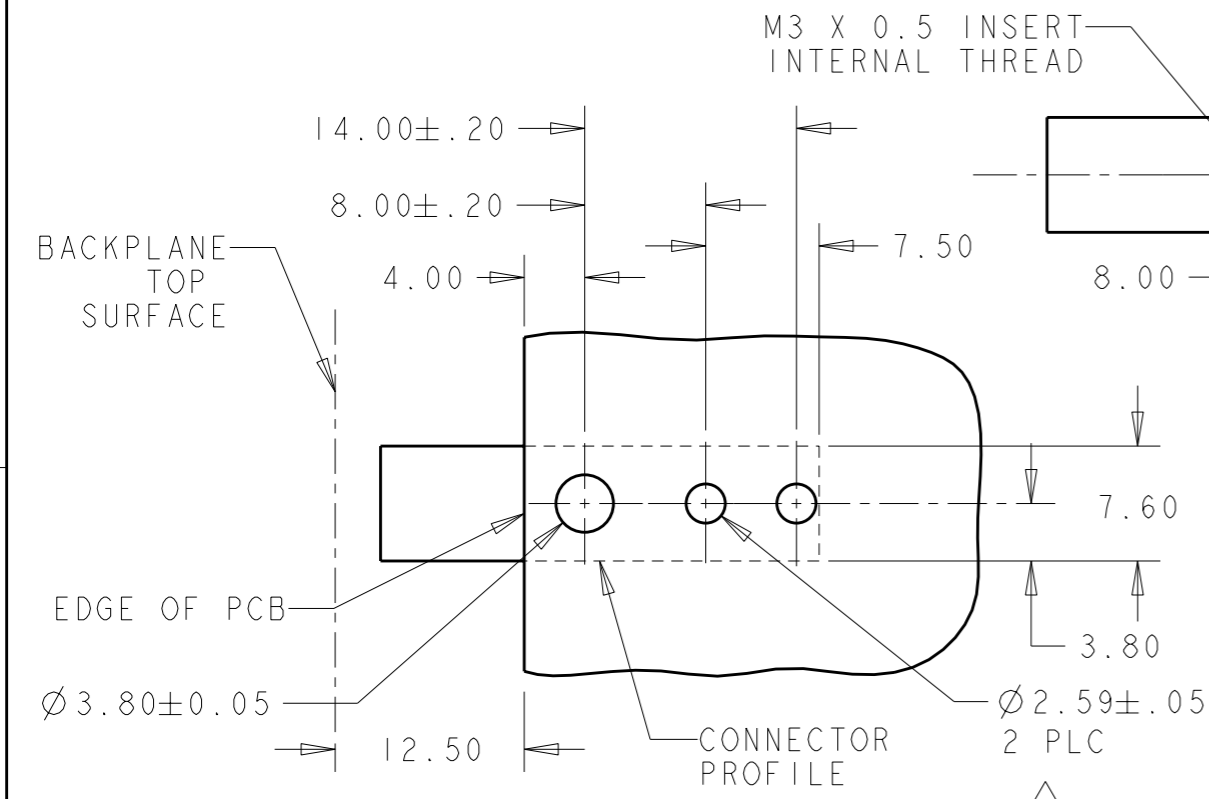
1 MATERIALS:
 HOUSING: POLYESTER PBT THERMOPLASTIC, UL 94 V-0
 CONTACT: COPPER ALLOY
 CONTACT INTERFACE: COPPER ALLOY
 INSERT: COPPER ALLOY

2 FINISH:
 HOUSING: BLACK
 CONTACT: SILVER PLATE, 5.08 μm MIN THICK, OVER NICKEL UNDERPLATE
 CONTACT INTERFACE: GOLD PLATE, 0.76 μm MIN THICK, OVER NICKEL UNDERPLATE
 INSERT: NONE

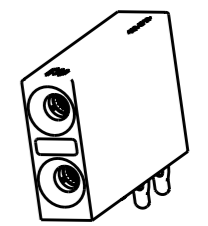
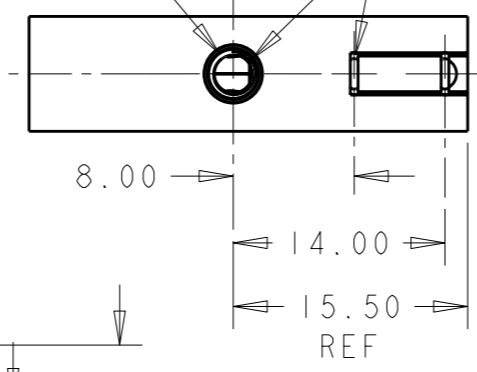
3

RECOMMENDED M3 SCREW LENGTH	
PCB THICKNESS	SCREW LENGTH
1.57 [.062"]	3.00
2.36 [.093"]	4.00
3.18 [.125"]	5.00

4. THIS PRODUCT HAS NOT BEEN VALIDATION TESTED



M3 X 0.5 INSERT INTERNAL THREAD
 INSERT & LOWER CONTACT MAY BE ELECTRICALLY COMMON



1766664-1
 SCALE 1:1

PART NUMBER 1766664-1

THIS DRAWING IS A CONTROLLED DOCUMENT FOR TYCO ELECTRONICS CORPORATION IT IS SUBJECT TO CHANGE AND THE CONTROLLING ENGINEERING ORGANIZATION SHOULD BE CONTACTED FOR THE LATEST REVISION.

DIMENSIONS: mm	TOLERANCES UNLESS OTHERWISE SPECIFIED: 0 PLC ± 1 PLC ±0.5 2 PLC ±0.35 3 PLC ± 4 PLC ± ANGLES ±1°0'
MATERIAL 1	FINISH 2

DWN 29 JULY 2005 B. COSTELLO	29 JULY 2005
CHK 1 AUG 2005 D. CHAU	1 AUG 2005
APVD 10 MAR 2006 D. DEFIBAUGH	10 MAR 2006
PRODUCT SPEC	-
APPLICATION SPEC	-
WEIGHT	-
CUSTOMER DRAWING	

Tyco Electronics Harrisburg, PA 17105-3608	
NAME 2 POSITION, RIGHT ANGLE, POWER/GUIDE, DIA 3.17mm SOCKET ASSEMBLY	
SIZE A3	CAGE CODE 00779
DRAWING NO C-1766664	RESTRICTED TO
SCALE 2:1	SHEET 1 OF 1 REV C