

1612122-1 ✓ ACTIVE

AMP

TE Internal #: 1612122-1

Automotive Connector Locks & Position Assurance, Yellow, PBT

GF, -30 – 80 °C [-22 – 176 °F]

[View on TE.com >](#)



Connectors > Automotive Connectors > Automotive Connector Accessories > Automotive Connector Locks & Position Assurance



Primary Product Color: **Yellow**

Primary Product Material: **PBT GF**

Operating Temperature Range: **-30 – 80 °C [-22 – 176 °F]**

## Features

### Body Features

Primary Product Color	Yellow
Primary Product Material	PBT GF

### Usage Conditions

Operating Temperature Range	-30 – 80 °C[-22 – 176 °F]
-----------------------------	---------------------------

### Industry Standards

UL Flammability Rating	UL 94HB
------------------------	---------

### Packaging Features

Packaging Quantity	500
Packaging Method	Bag

### Other

Serviceable	Yes
-------------	-----

## Product Compliance

[For compliance documentation, visit the product page on TE.com>](#)

EU RoHS Directive 2011/65/EU	Compliant
EU ELV Directive 2000/53/EC	Compliant
China RoHS 2 Directive MIIT Order No 32, 2016	No Restricted Materials Above Threshold
EU REACH Regulation (EC) No. 1907/2006	Current ECHA Candidate List: JUNE 2023 (235) Candidate List Declared Against: JAN 2023 (233)



Does not contain REACH SVHC

Halogen Content

BFR/CFR/PVC Free, but Br/Cl >900 ppm in other sources.

Solder Process Capability

Not applicable for solder process capability

Product Compliance Disclaimer

This information is provided based on reasonable inquiry of our suppliers and represents our current actual knowledge based on the information they provided. This information is subject to change. The part numbers that TE has identified as EU RoHS compliant have a maximum concentration of 0.1% by weight in homogenous materials for lead, hexavalent chromium, mercury, PBB, PBDE, DBP, BBP, DEHP, DIBP, and 0.01% for cadmium, or qualify for an exemption to these limits as defined in the Annexes of Directive 2011/65/EU (RoHS2). Finished electrical and electronic equipment products will be CE marked as required by Directive 2011/65/EU. Components may not be CE marked. Additionally, the part numbers that TE has identified as EU ELV compliant have a maximum concentration of 0.1% by weight in homogenous materials for lead, hexavalent chromium, and mercury, and 0.01% for cadmium, or qualify for an exemption to these limits as defined in the Annexes of Directive 2000/53/EC (ELV). Regarding the REACH Regulation, the information TE provides on SVHC in articles for this part number is based on the latest European Chemicals Agency (ECHA) 'Guidance on requirements for substances in articles' posted at this URL: <https://echa.europa.eu/guidance-documents/guidance-on-reach>

### Compatible Parts



TE Part # 1612121-4  
SQUIB 2POS PLUG HSG



TE Part # 1612121-1  
SQUIB 2POS PLUG HSG



TE Part # 1612123-1  
SQUIB FERRITE



TE Part # 1612121-3  
SQUIB PLUG HSG

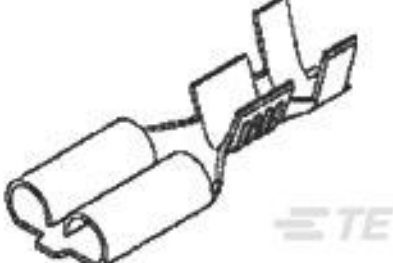


TE Part # 1612121-5  
SQUIB 2POS PLUG HSG



TE Part # 1612121-2  
SQUIB 2POS PLUG HSG

### Customers Also Bought



TE Part #170384-2  
250 FASTON,REC.,22-20 AWG,TPBR



TE Part #316837-2  
MULTILOCK, RECEPTACLE AND TAB



TE Part #1717106-3  
TH/.025 CONNECTOR SYSTEM, HOUSING



TE Part #1564760-1  
10POS MIXED MQS REC COD A HOUSING



## Documents

### Product Drawings

#### SQUIB LOCKING BUTTON

Japanese

### CAD Files

#### Customer View Model

[ENG\\_CVM\\_CVM\\_1612122-1\\_C.2d\\_dxf.zip](#)

English

#### 3D PDF

3D

#### Customer View Model

[ENG\\_CVM\\_CVM\\_1612122-1\\_C.3d\\_igs.zip](#)

English

#### Customer View Model

[ENG\\_CVM\\_CVM\\_1612122-1\\_C.3d\\_stp.zip](#)

English

By downloading the CAD file I accept and agree to the [Terms and Conditions](#) of use.

### Product Specifications

#### CRIMPING SOCKET CONTACT FOR 1MM PIN

Japanese

#### SQUIB Connector 11DIA

Japanese

#### Product Specification

Japanese

#### SQUIB Connector 11DIA

Japanese

#### Product Specification

Japanese

#### 11DIA SQUIB CONNECTOR COMPACT TYPE

Japanese

### Product Environmental Compliance

#### Product Compliance

English



[Product Compliance](#)

English

---

[Instruction Sheets](#)

[Instruction Sheet \(non U.S.\)](#)

Japanese