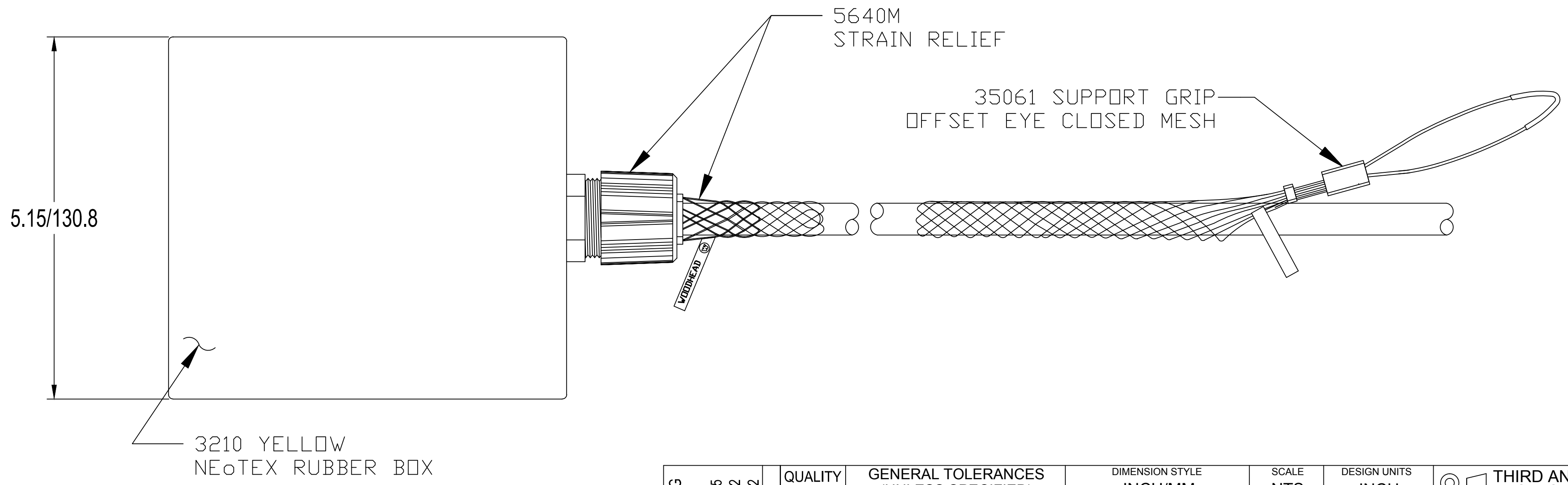
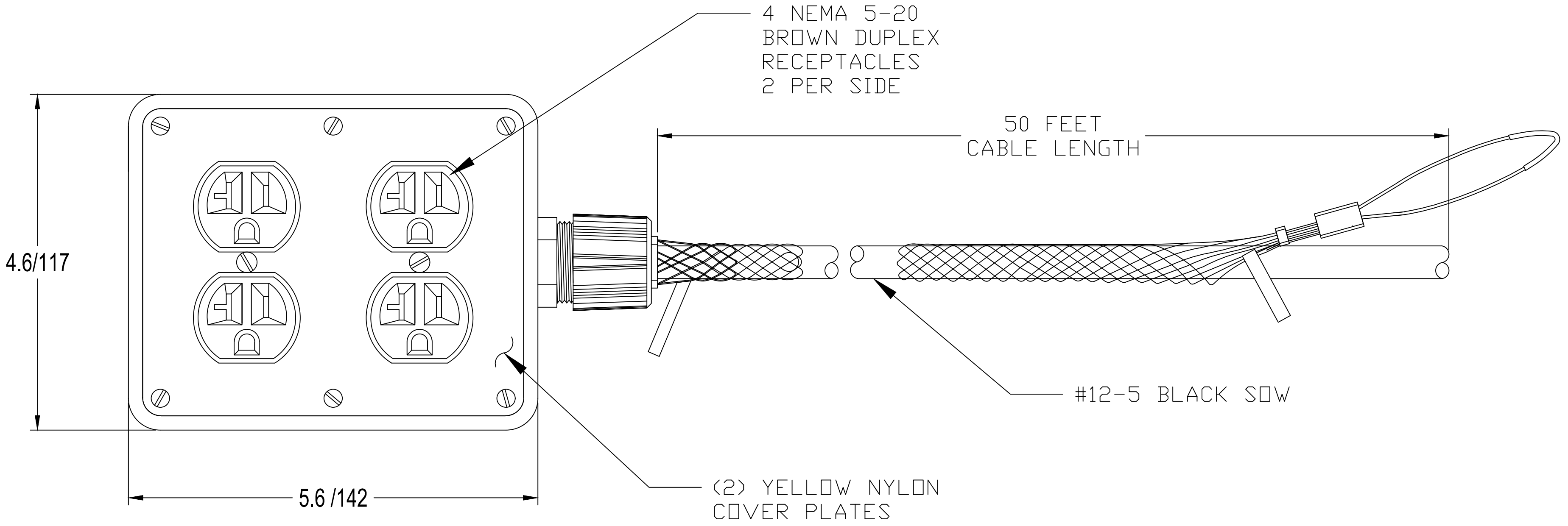


13 12 11 10 9 8 7 6 5 4 3 2 1

J I H G F E D C B A



| | | | | | | | | | |
|---|----------------|---|-------|-------------------------|-------------|------------|--|------------------------|--|
| CUSTOMER APPROVAL DWG EC NO.: IPG2017-0130 DRWN: HKNEELAN 2016/08/05 CH'KD: HKNEELAN 2016/08/22 APPR: JFMURPHY 2016/08/22 | QUALITY SYMBOL | GENERAL TOLERANCES (UNLESS SPECIFIED) | | DIMENSION STYLE INCH/MM | | SCALE NTS | DESIGN UNITS INCH | THIRD ANGLE PROJECTION | |
| | ▽=0 | 4 PLACES | ±--- | ±--- | DRAWN BY | DATE | TITLE | | |
| | ∇=0 | 3 PLACES | ±--- | ±--- | CHECKED BY | DATE | 3210 OUTLET BOX 50FT. #12-5 BLK CORD, 4-NEMA 5-20 RECPT & GRIP | | |
| | | 2 PLACES | ±0.05 | ±--- | APPROVED BY | DATE | MOLEX INCORPORATED | | |
| | | 1 PLACE | ±0.10 | ±--- | JFMURPHY | 2016/08/22 | DOCUMENT NO. SD-130135-057 | | |
| | | ANGULAR ±.5° | | MATERIAL NO. | | SHEET NO. | | | |
| | | DRAFT WHERE APPLICABLE MUST REMAIN WITHIN DIMENSIONS | | 1301350405 | | 1 OF 1 | | | |
| | | THIS DRAWING CONTAINS INFORMATION THAT IS PROPRIETARY TO MOLEX INCORPORATED AND SHOULD NOT BE USED WITHOUT WRITTEN PERMISSION | | | | | | | |

13 12 11 10 9 8 7 6 5 4 3 2 1