



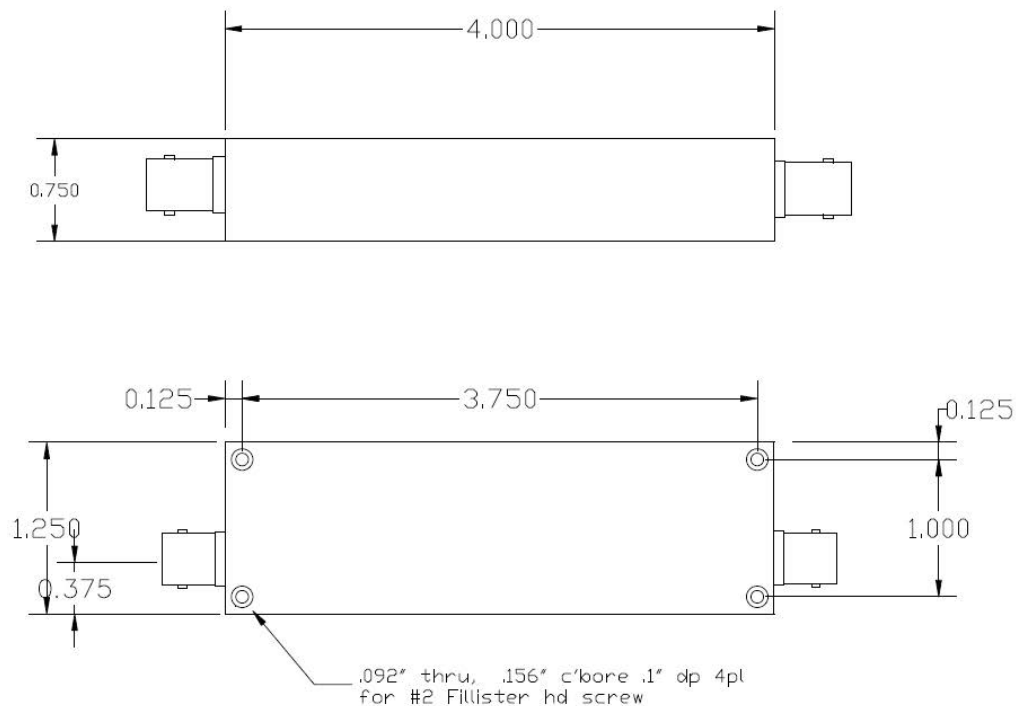
217.775 MHz Bandpass Filter

Part Number: AE217B5791

Specifications:

Center Frequency: 217.775 MHz
Passband Ripple: <0.1 dB
Return Loss at Center Frequency: >1.5
Insertion Loss: <1.2 dB @ Center Frequency
Rejection: >30dB @ 0-200 MHz
>30dB @ 234-600 MHz

Outline Drawing:



Connector Type: BNC (F) 2 Pl