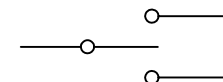
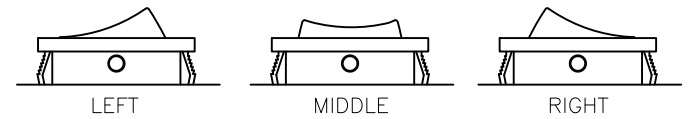
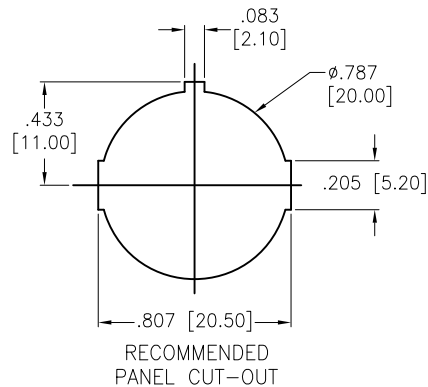
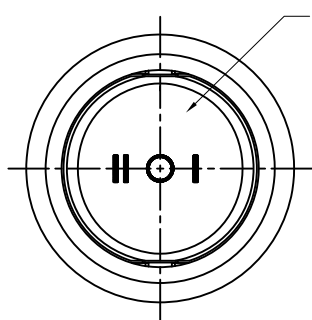
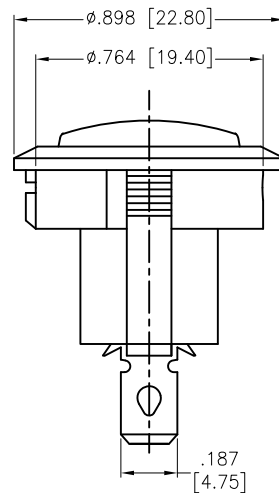
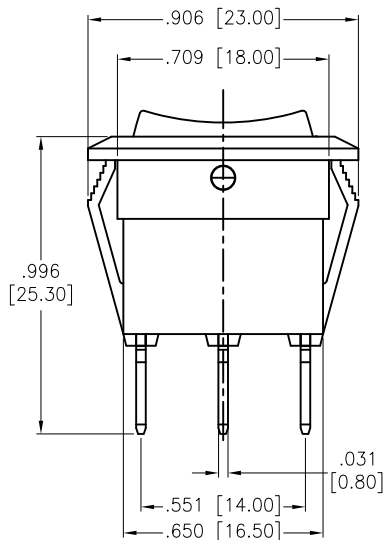


APPROVED: _____
 DATE: _____ TITLE: _____

Rev	AWO #	Description	Date	Appr
-		RELEASED	10/26/20	
A		UPDATE SPEC.	8/31/21	WX/RC



CIRCUIT DIAGRAM
(SPDT) ON-OFF-ON



SW-R2-2E-F-XX-8

	Body Color		Actuator Markings
BLANK	Standard Black	6	
W	White		

SPECIFICATIONS:

Body: Nylon 66, Color Black, Rated UL 94V-0

Terminal: Brass, Silver plated

Button: Nylon 66, Solid color, White color markings. (See Chart)

Electrical:

The rated load: 250V AC, 6A

125V AC, 10A

Contact resistance: 50 mohms max

Insulation resistance: 100 Mohms min

Dielectric withstanding voltage: 1500 VAC/5S min

Mechanical:

Electrical life: 10000 Cycles min

Temperature Rating:

Operating temperature: -25°C to +85°C

Environmental:

Lead free, RoHS compliant



Replace "x" in P/N with the corresponding switch color and marking

UNLESS OTHERWISE SPECIFIED
 ALL DIMENSIONS ARE INCHES [MM]
 TOLERANCES: EXCEPT AS NOTED
 INCHES HOLES

.X	± .10	Ø.X	± .10
.XX	± .020	Ø.XX	± .015
.XXX	± .015	Ø.XXX	± .010



909 Rahway Avenue,
 Union, NJ 07083
 Phone: 908-687-5000
 Fax: 908-687-5710

APPROVALS		DATE
DRAWN	OW	10/26/20
CHECKED	AC	10/26/20
APPROVED		

TITLE			SWITCH, MINIATURE ROCKER, SPDT, ON-OFF-ON, QC .187 [4.75MM]		
SIZE	PART NO.	REV.			
X	SW-R2-2E-F-XX-8	A			
REF:	S00206C	SCALE:	NTS	SHEET 1 OF 1	