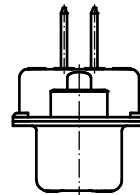
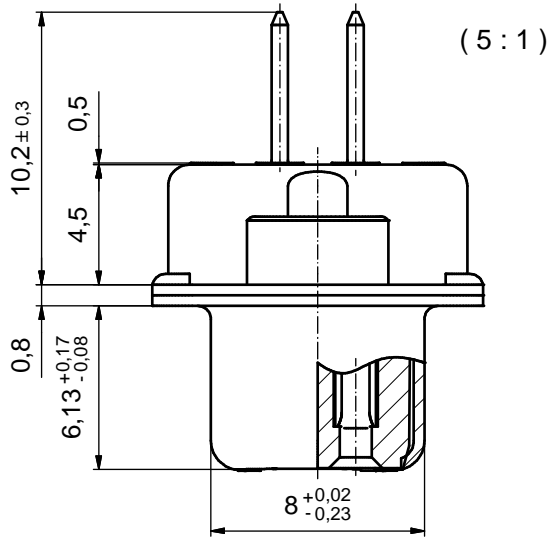
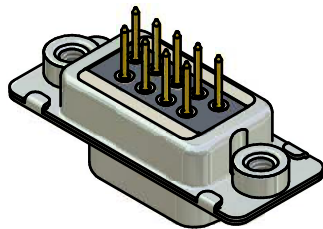
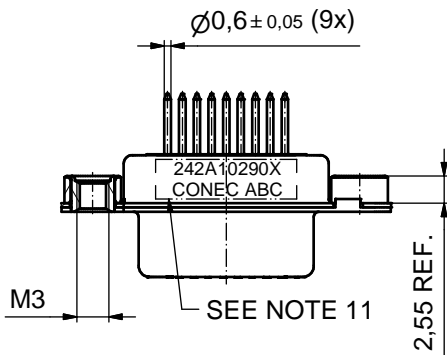
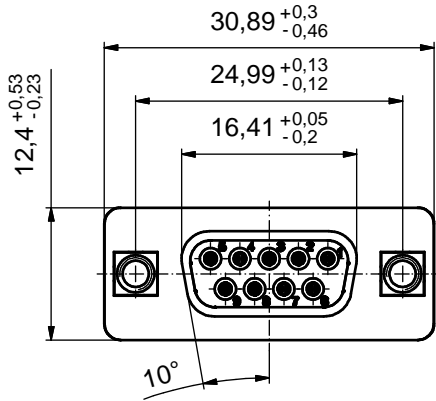


P.C.B. HOLE DRILLINGS
(TOP SIDE)



NOTES:

1. RoHS COMPLIANT
2. FOR WAVESOLDERING (SOLDER BATH TEMPERATURE 260°C FOR 5SEC. AND SOLDER PREHEAT 100°C FOR 30SEC.)
3. METALSHELLS: STEEL; min. 315µin TIN over 40-80µin NICKEL
4. INSULATOR: HIGH TEMPERATURE PLASTIC UL 94 V-0; BLACK
5. CONTACTS: COPPER ALLOY
PLATING: 8µin HARD GOLD over min. 50µin NICKEL
6. THREADED INSERTS: COPPER ALLOY; min. 200µin TIN over 80µin NICKEL
7. COLLARS: COPPER ALLOY; min. 200µin TIN over 80µin NICKEL
8. CAPACITANCE: 1300pF ± 20%
9. DIELECTRIC WITHSTANDING VOLTAGE: 424 VDC
10. MAXIMUM TORQUE VALUE FOR THREAD : 6 in.LB
11. CONNECTOR IS PART MARKED: **242A10290X CONEC ABC**

Directive 2002/95/EC
„RoHS“
Compliant

APPROVAL # FREIGABE # DEBLOCAGE # AUTORIZACION # APPROVAL	
CUSTOMER APPROVAL DATE:	
NAME:	TITLE:
COMPANY NAME:	
APPROVAL # FREIGABE # DEBLOCAGE # AUTORIZACION # APPROVAL	

THIS DRAWING MAY NOT BE COPIED OR REPRODUCED IN ANY WAY AND MAY NOT BE PASSED ON TO A THIRD PARTY WITHOUT WRITTEN PERMISSION. OWNERSHIP AND COPYRIGHT OF CONEC GmbH				tolerance		dim. in mm	scale: 2:1 (5:1)	
DO NOT ALTER CAD DRAWING BY HAND				date			material: SEE NOTES	
a Origin				drawn	28.09.09	Petker	title: D-SUB FILTER FEMALE 9pos. SOLDER PIN STRAIGHT with threaded insert	
rev. description				appd.	28.09.09	Fischer		
				norm				
				d-old				
				CONEC		dwg no: Inventor 10		DIN-A3
						part no: 242A10290X		sh: 1

scale: 2:1 (5:1)	
material: SEE NOTES	
title: D-SUB FILTER FEMALE 9pos. SOLDER PIN STRAIGHT with threaded insert	
dwg no: Inventor 10	DIN-A3
24K1A1205	
part no: 242A10290X	