

## Sound Processors for Home Theater Systems

# 5.1ch Sound Processors


**BD3813KS, BD3815KS**

No.10081EAT04

**●Description**

The BD3813KS and BD3815KS sound processors integrate a gain amp and volume/bass/treble controls on a single chip, making them optimally suited for use in audio applications, such as AV receivers, home theater systems and mini-component systems. Used in combination with the BD3812F, a 2ch volume IC, the units enable 6.1ch and 7.1ch operation. In addition, utilization of a BiCMOS process ensures a wide dynamic range (129dB).

**●Features**

- 1) Wide dynamic range: 129dB (Tone Bypass, VOL=MUTE, IHF-A)
- 2) Independent 6 channels for Master Volume (0 to -95 dB, MUTE 1dB/Step)  
Implementation of a resistance ladder type circuit reduces residual noise and shock sounds during switching.
- 3) Low current consumption achieved through utilization of BiCMOS processes
- 4) Maximum output voltage: 4.2Vrms (Vcc=7V, VEE=-7V, RL=10kΩ)
- 5) Built-in 5ch independent input gain amplifier - useful for amplifying input signals
- 6) Built-in 2ch output port
- 7) 2-wire serial control (for both 3.3V and 5V)

**●Applications**

AV receivers, home theater systems and mini-component systems

**●Line up matrix**

Parameter	BD3813KS	BD3815KS
Mode Selector	Yes	Yes
Input Gain	0, 6, 12dB	0, 6, 18dB
Volume	0 to -95dB 1dB/Step	0 to -95dB 1dB/Step
Bass, Treble	±14dB 2dB/Step	±14dB 2dB/Step
Number of Ports	2	2
Package	SQFP56	SQFP56

● Absolute maximum ratings (Ta=25°C)

Parameter	Symbol	Ratings	Unit
Power Supply Voltage	V <sub>CC</sub>	7.5 <sup>*1</sup>	V
	V <sub>EE</sub>	-7.5	
Input Signal Voltage	V <sub>IN</sub>	V <sub>CC</sub> +0.3 to V <sub>EE</sub> -0.3	V
Power Dissipation	P <sub>d</sub>	1000 <sup>*2</sup>	mW
Operating Temperature Range	Topr	20 to 75	°C
Storage Temperature Range	Tastg	55 to 125	°C

\*1 Applying voltage only to the V<sub>CC</sub> side, even if within the specified power supply voltage range, may cause excessive current to flow, resulting in permanent damage to the IC. Therefore, when starting up the power supplies, V<sub>EE</sub> and V<sub>CC</sub> should either be powered ON simultaneously, or V<sub>EE</sub> first, followed by V<sub>CC</sub>.

\*2 Please note the derating characteristics above Ta=25°C: 10mW/°C (Mounted on a 70mmx70mmx1.6mm sized board).

● Operating conditions  
(Normal function at Ta=25°C)

Parameter	Symbol	Ratings			Unit
		Min.	Typ.	Max.	
Operating Supply Voltage	V <sub>CC</sub>	5	7	7.3	V
	V <sub>EE</sub>	-7.3	-7	-5	

## ● Electrical Characteristics

Ta=25°C, VCC=7V, VEE=-7V, f=1kHz, VIN=1Vrms, RL=10kΩ, Rg=600Ω

Input Gain=0dB, Master Volume=0dB, Bass bnd Treble=0dB, Unless otherwise noted.

	Parameter		Symbol	Limits			Unit	Conditions
				Min.	Typ.	Max.		
Total Output	Circuit Current	VCC	IQ	—	10	20	mA	No signal
		VEE		-20	-10	—		
	Output Voltage Gain 1		Gv1	-2	0	2	dB	Measure : Pin31, 29, 27, 25, 23, 21
	Output Voltage Gain 2		Gv2	-2	0	2	dB	Measure : Pin19
	Total Harmonic Distortion ratio 1		THD1	—	0.004	0.05	%	Measure : Pin31, 29, 27, 25, 23, 21 BW=400~30kHz
	Total Harmonic Distortion ratio 2		THD2	—	0.004	0.05	%	Measure : Pin19 BW=400~30kHz
	Maximum Output Voltage 1		Vomax1	3.4	4.2	—	Vrms	Measure : Pin31, 29, 27, 25, 23, 21 THD=1%
	Maximum Output Voltage 2		Vomax2	3.4	4.2	—	Vrms	Measure : Pin19 THD=1%
	Output Noise Voltage 1		Vno1	—	2.0	12	μVrms	Measure : Pin 31,29 Rg=0Ω, Tone: ON, BW=IHF-A
				—	1.5	8.0	μVrms	Measure : Pin 31,29 Rg=0Ω, Tone: By-pass, BW=IHF-A
	Output Noise Voltage 2		Vno2	—	1.5	8.0	μVrms	Measure : Pin 27,25,23,21 Rg=0Ω, BW=IHF-A
	Output Noise Voltage 3		Vno3	—	1.0	5.0	μVrms	Measure : Pin 19 Rg=0Ω, BW=IHF-A
	Crosstalk between Channels Rch→Lch		CTCRL	—	-95	-80	dB	Measure : Pin29(OUTFL) Rg=0Ω, BW=IHF-A Reference : Pin31(OUTFR)=1Vrms
	Crosstalk between Channels Lch→Rch		CTCLR	—	-95	-80	dB	Measure : Pin31(OUTFR) Rg=0Ω, BW=IHF-A Reference : Pin29(OUTFL)=1Vrms
	Crosstalk between Selectors DVD		CTSA	—	-95	-80	dB	Measure : Pin 31,29,27,25, 23,21,19 Rg=0Ω, BW=IHF-A
Crosstalk between Selectors D/A		CTSB	—	-95	-80	dB	Measure : Pin 31,29,27,25, 23,21,19 Rg=0Ω, BW=IHF-A	

	Parameter	Symbol	Limits			Unit	Conditions
			Min.	Typ.	Max.		
Volume Output	Volume Control Range	GVR	-98	-95	-92	dB	Measure : Pin31, 29, 27, 25, 23, 21 Vin=3Vrms
	Volume Setting Error 1	VE1	-2	0	2	dB	0 to -53dB Measure : Pin31, 29, 27, 25, 23, 21 Vin=3Vrms
	Volume Setting Error 2	VE2	-3	0	3	dB	-54 to -95dB Measure : Pin31, 29, 27, 25, 23, 21 Vin=3Vrms
	Channel Balance	VCB	-0.5	0	0.5	dB	Measure : Pin31, 29, 27, 25, 23, 21 Vin=3Vrms, Volume=0dB
	Maximum Attenuation	Vmin	—	-115	-105	dB	BW=IHF-A Measure : Pin31, 29, 27, 25, 23, 21 Vin=3Vrms
Input Gain	Input Gain Control Range (BD3813KS)	GIG	10	12	14	dB	Measure : Pin31, 29, 27, 25, 23, 21, 19 Vin=0.4Vrms
	Input Gain Control Range (BD3815KS)		16	18	20	dB	Measure : Pin31, 29, 27, 25, 23, 21, 19 Vin=0.4Vrms
	Input Gain Setting Error (BD3813KS)	GIE	-2	0	2	dB	Measure : Pin31, 29, 27, 25, 23, 21, 19 Vin=0.4Vrms
	Input Gain Setting Error (BD3815KS)		-2	0	2	dB	Measure : Pin31, 29, 27, 25, 23, 21, 19 Vin=0.4Vrms
Treble	Treble Maximum Boost Gain	GTB	12	14	16	dB	Measure : Pin 31, 29 f=15kHz, VIN=0.4Vrms
	Treble Maximum Cut Gain	GTC	-16	-14	-12	dB	Measure : Pin 31, 29 f=15kHz, VIN=0.4Vrms
	Treble Step Resolution	TR	—	2	—	dB	Measure : Pin 31, 29 f=15kHz, VIN=0.4Vrms
	Treble Gain Setting Error	TE	-2	0	2	dB	Measure : Pin 31, 29 f=15kHz, VIN=0.4Vrms
Bass	Bass Maximum Boost Gain	GBB	12	14	16	dB	Measure : Pin 31, 29 f=100Hz, Vi=0.4Vrms
	Bass Maximum Cut Gain	GBC	-16	-14	-12	dB	Measure : Pin 31, 29 f=100Hz, VIN=0.4Vrms
	Bass Step Resolution	BR	—	2	—	dB	Measure : Pin 31, 29 f=100Hz, VIN=0.4Vrms
	Bass Gain Setting Error	BE	-2	0	2	dB	Measure : Pin 31, 29 f=100Hz, VIN=0.4Vrms
Port	Port H Output	PH	4.5	4.9	—	V	Measure : Pin11,12 VDD=5V, RL=47kΩ

\* This product is not designed to be resistant against radiation

●Timing Chart

1) Signal Timing Conditions

- Data is read on the rising edge of the clock.
- Latch is read on the falling edge of the clock.
- The latch signal must terminate with the Low state.

\*To avoid malfunction, the clock and data signals must terminate with the Low state.

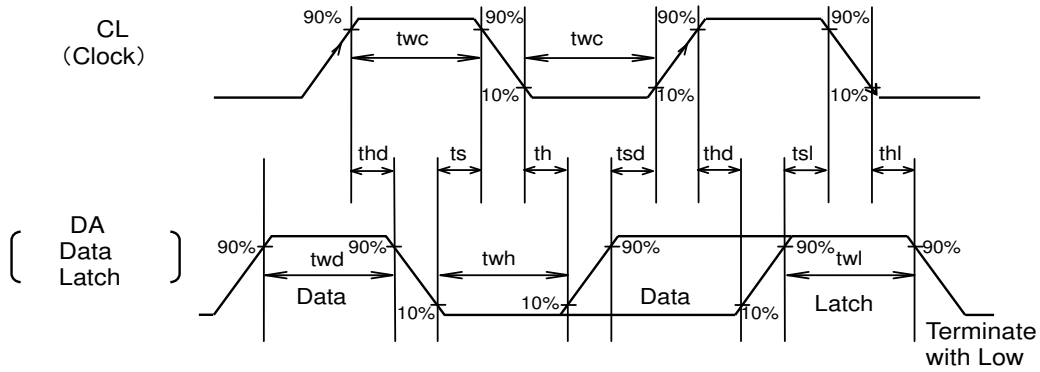


Fig.1

Parameter	Symbol	Limits			Unit
		Min.	Typ.	Max.	
Minimum Clock Width	twc	2.0	—	—	μs
Minimum Data Width	twd	2.0	—	—	μs
Minimum Latch Width	twl	2.0	—	—	μs
Low Hold Width	twh	2.0	—	—	μs
Data Set-up Time (Data→Clock)	tsd	1.0	—	—	μs
Data Hold Time ( Clock → Data )	thd	1.0	—	—	μs
Latch Set-up Time ( Clock →Latch)	tsl	1.0	—	—	μs
Latch Hold Time ( Data → Latch )	thl	1.0	—	—	μs
Latch Low Set-up Time	ts	1.0	—	—	μs
Latch Low Hold Time	th	1.0	—	—	μs

2) Control Signal Voltage Conditions

Parameter	Condition	Limits			Unit
		Min.	Typ.	Max.(≤Vcc)	
“H” Input Voltage	Vcc=5~7.3V Vee=-5~-7.3V	2.2	—	5.5	V
“L” Input Voltage		0	—	1.0	V

3) Control Data Format - Basic Configuration

← Input direction

	MSB															LSB	
Data	D16	D15	D14	D13	D12	D11	D10	D9	D8	D7	D6	D5	D4	D3	D2	D1	D0
	Data													Select Address			

• Control Data Formats

← Input direction

																Select Address	
Data 1	D16	D15	D14	D13	D12	D11	D10	D9	D8	D7	D6	D5	D4	D3	D2	D1	D0
	Input Gain FR/FL		Input Gain SR/SL		Input Gain C		Input Gain SW		Input Gain SB		SW1 0:A 1:B	SW2 0:A 1:B	SW3 0:A 1:B	0	0	0	0
Data 2	D16	D15	D14	D13	D12	D11	D10	D9	D8	D7	D6	D5	D4	D3	D2	D1	D0
	Treble				Bass				TON E	Port A 0:L 1:H	Port B 0:L 1:H	*	*	1	0	0	0
Data 3	D16	D15	D14	D13	D12	D11	D10	D9	D8	D7	D6	D5	D4	D3	D2	D1	D0
	Master Volume FRch							Master Volume FLch							0	0	1
Data 4	D16	D15	D14	D13	D12	D11	D10	D9	D8	D7	D6	D5	D4	D3	D2	D1	D0
	Master Volume SRch							Master Volume SLch							0	1	0
Data 5	D16	D15	D14	D13	D12	D11	D10	D9	D8	D7	D6	D5	D4	D3	D2	D1	D0
	Master Volume Cch							Master Volume SWch							0	1	1

Changing the Select Address settings allows selection of four different control formats.

For Select Address, values except those shown above must not be specified.

The address data must be initialized after every power ON.

\* Indicates 0 or 1.

(Example)

← Input direction

MSB	LSB	MSB	LSB	MSB	LSB	MSB	LSB	MSB	LSB
Data1	L	Data 2	L	Data 3	L	Data 4	L	Data 5	L

"L" means latch.

After power ON, only the desired data can be set for the second and subsequent times,.

(Example) When changing the bass,

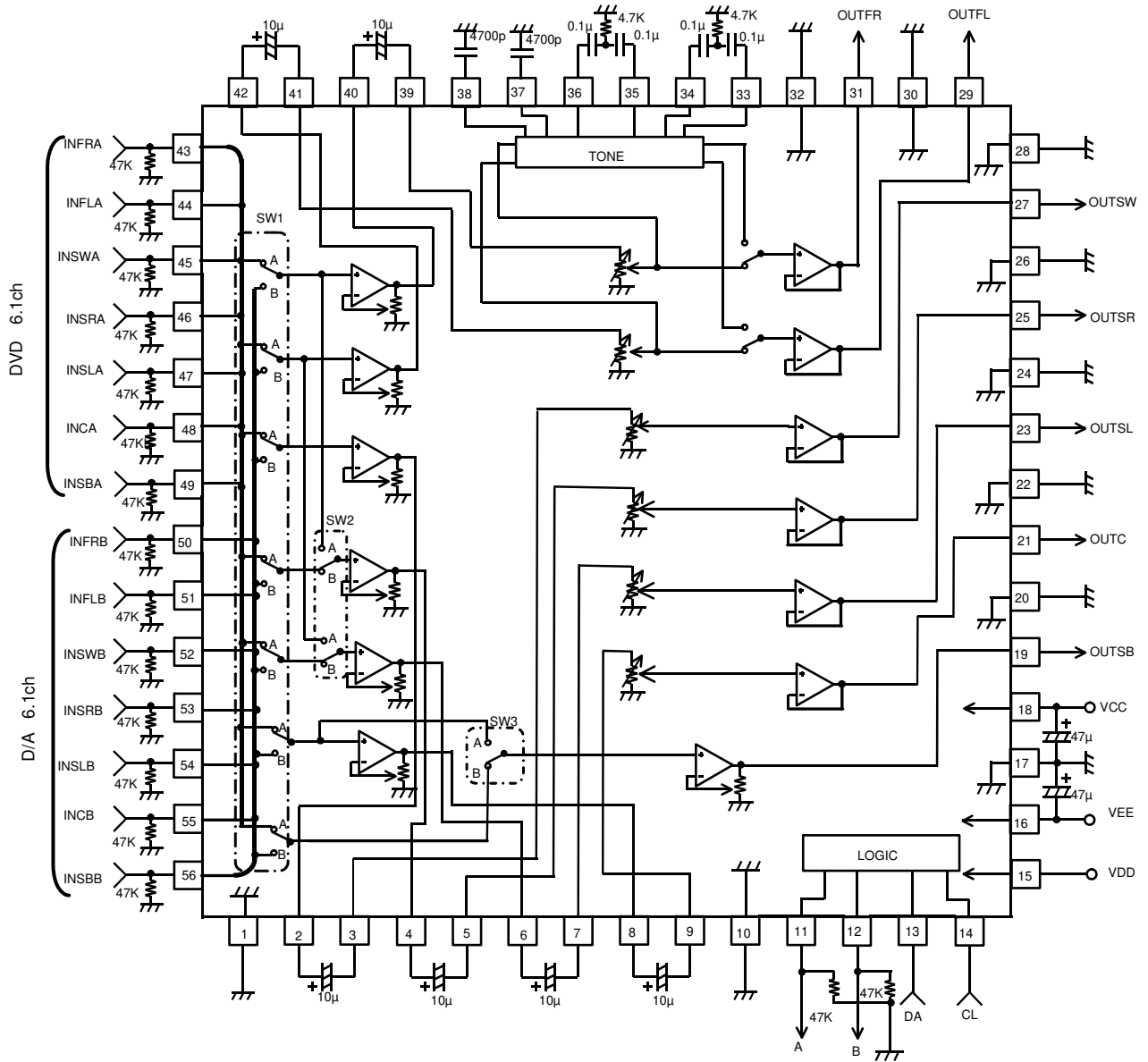
Input direction

← MSB	LSB
Data 2	L

"L" means latch.

● Application Circuit

1) BD3813KS / BD3815KS



Units  
 Resistor: Ω  
 Capacitor: F

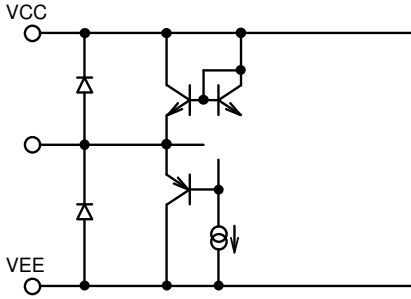
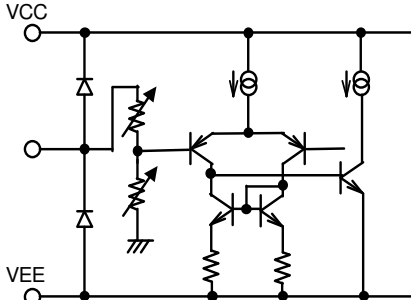
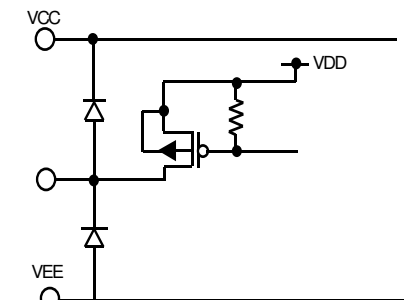
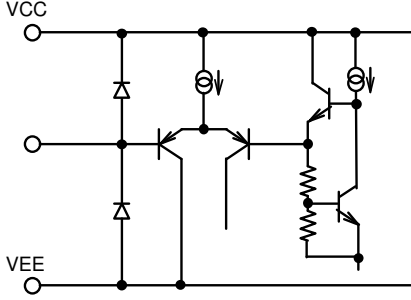
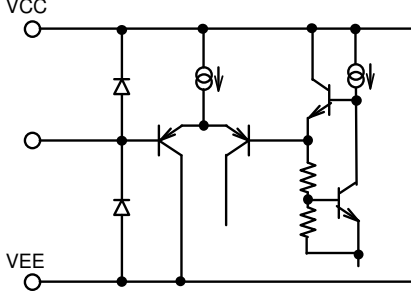
Fig. 2

## ● Pin Description

Pin No.	Pin Name	Description	Pin No.	Pin Name	Description
1	GND1	Ground pin	29	OUTFL	Lch Output pin
2	GOUTSW	Input Gain output for subwoofer pin	30	GND9	Ground pin
3	VINSW	Volume Input for subwoofer pin	31	OUTFR	Rch Output pin
4	GOUTSR	Input Gain output for surround Rch pin	32	GND10	Ground pin
5	VINSR	Volume Input for surround Rch pin	33	BNF2L	Lch Bass filter pin 2
6	GOUTSL	Input Gain output for surround Lch pin	34	BNF1L	Lch Bass filter pin 1
7	VINSL	Volume Input for surround Lch pin	35	BNF2R	Rch Bass filter pin 2
8	GOUTC	Input Gain output for center speaker pin	36	BNF1R	Lch Bass filter pin 1
9	VINC	Volume Input for center speaker pin	37	TNFL	Lch Treble filter pin
10	GND2	Ground pin	38	TNFR	Rch Treble filter pin
11	PORTA	Output for port pin	39	VINFR	Rch Volume input pin
12	PORTB	Output for port pin	40	GOUTFR	Rch Input gain output pin
13	DA	Serial data, latch input pin	41	VINFL	Lch Volume input pin
14	CL	Serial clock input pin	42	GOUTFL	Lch Input gain output pin
15	VDD	Power supply for port pin	43	INFRA	Input for Rch DVD pin
16	VEE	(-) Power supply pin	44	INFLA	Input for Lch DVD pin
17	GND3	Ground pin	45	INSWA	Input for SWch DVD pin
18	VCC	(+) Power supply pin	46	INSRA	Input for SRch DVD pin
19	OUTSB	Surround back output pin	47	INSLA	Input for SLch DVD pin
20	GND4	Ground pin	48	INCA	Input for Cch DVD pin
21	OUTC	Center speaker output pin	49	INSBA	Input for SBch DVD pin
22	GND5	Ground pin	50	INFRB	Input for Rch DSP pin
23	OUTSL	Output for surround Lch pin	51	INFLB	Input for Lch DSP pin
24	GND6	Ground pin	52	INSWB	Input for SWch DSP pin
25	OUTSR	Output for surround Rch pin	53	INSRB	Input for SRch DSP pin
26	GND7	Ground pin	54	INSLB	Input for SLch DSP pin
27	OUTSW	Subwoofer output pin	55	INCB	Input for Cch DSP pin
28	GND8	Ground pin	56	INSBB	Input for SBch DSP pin



●Equivalent Circuits

Pin No.	Pin Name	Pin Voltage	Equivalent Circuit	Description
2 4 6 8 40 42	GOUTSW GOUTSR GOUTSL GOUTC GOUTFR GOUTFL	0		Sound signal output pins from input gain
3 5 7 9 39 41	VINSW VINSR VINSL VINC VINFR VINFL	0		Sound signal input pins to master volume, Input Impedance: 20kΩ (typ.)
11 12	PORTA PORTB	—		Open drain output pins
13	DA	—		Serial data input pin
14	CL	—		Serial clock input pin

Pin No.	Pin Name	Pin Voltage	Equivalent Circuit	Description
19 21 23 25 27 29 31	OUTSB OUTC OUTSL OUTSR OUTSW OUTFL OUTFR	0		Sound signal output pins
33 35	BNF2L BNF2R	0		Bass frequency characteristic/gain setting pins
34 36	BNF1L BNF1R	0		Bass frequency characteristic/gain setting pins
37 38	TNFL TNFR	0		Treble frequency characteristic/gain setting pins
43 44 45 46 47 48 49 50 51 52 53 54 55 56	INFRA INFLA INSWA INSRA INSLA INCA INSBA INFRB INFLB INSWB INSRB INSLB INCB INSBB	0		Sound signal input pins; Input impedances determined by external resistances

## OSwitch Description

Output	Input (SW1=A)		
	SW2,3=B (Default)	SW2=A SW3=B	SW2=B SW3=A
FR	FR	FR	FR
FL	FL	FL	FL
SW	SW	SW	SW
SR	SR	FR	SR
SL	SL	FL	SL
C	C	C	C
SB	SB	SB	C

SW1 A: Select input line A  
B: Select input line B

SW2 A: Output the signals of the FR and FL inputs onto the Surround Outputs (SR, SL)  
Used when the source is stereo.  
B: Output the signals of the SR and SL inputs onto the Surround Outputs (SR, SL)  
Used when the source is 5.1ch or 6.1ch.

SW3 A: Output the C input signal onto SB output  
Used when the source is 5.1ch with the 6.1ch speaker system installed.  
B: Output the SB input signal onto the SB output  
Used when the source is 6.1ch with the 6.1ch speaker system installed.

●Setting constants for tone control filters

1) Treble filter

$$f_c = 1/2\pi(R_2)C \quad (\text{Hz})$$

$$G = 20\log(R_1 + R_2 + Z_c)/(R_2 + Z_c) \quad (\text{dB})$$

$$Z_c = 1/j\omega C \quad (\Omega)$$

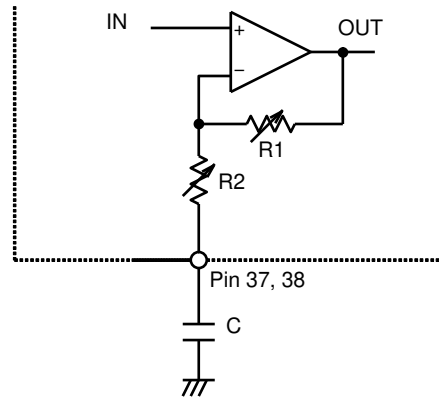


Fig.3

Standard Values of R1, R2 (Reference)

Treble Boost Amount Cut Amount	Resistance (kΩ) *Typ.	
	R1	R2
0dB	0	20
±2dB	4.1	15.9
±4dB	7.3	12.7
±6dB	10.3	9.7
±8dB	12.3	7.7
±10dB	14.0	6.0
±12dB	15.4	4.6
±14dB	16.5	3.5

\*The actual boost/cut amounts may deviate from the standard values to some degree.

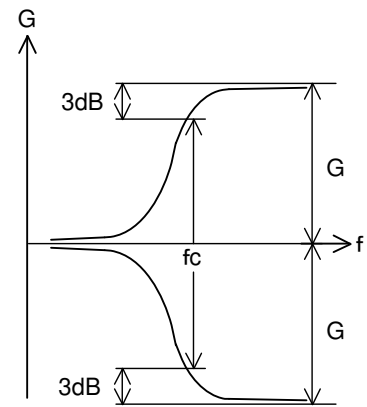


Fig.4

2) Bass Filter

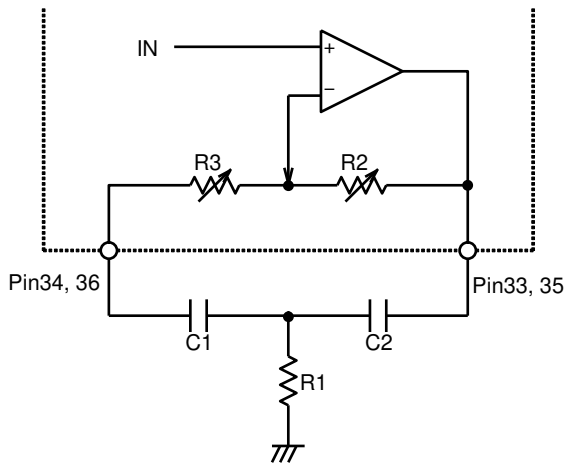


Fig. 5

$$f_0 = \frac{1}{2\pi \sqrt{R1(R2 + R3)C1C2}} \text{ (Hz)}$$

$$Q = \frac{1}{C1+C2} \sqrt{\frac{C1C2R2}{R1}}$$

when C1=C2

$$G = 20\log \frac{\frac{R2+R3}{R1} + 2}{\frac{R3}{R1} + 2} \text{ (dB)}$$

Standard values of R2, R3 (Reference)  
(R1=4.7kΩ, C1=C2=0.1μF)

Boost Amount Cut Amount	Resistance (kΩ) Typ.*	
	R2	R3
0dB	0	41.0
±2dB	10.8	30.2
±4dB	19.3	21.7
±6dB	26.0	15.0
±8dB	31.2	9.8
±10dB	35.4	5.6
±12dB	38.4	2.6
±14dB	41.0	0

\*The actual boost/cut amounts may deviate from the standard values in some degree.

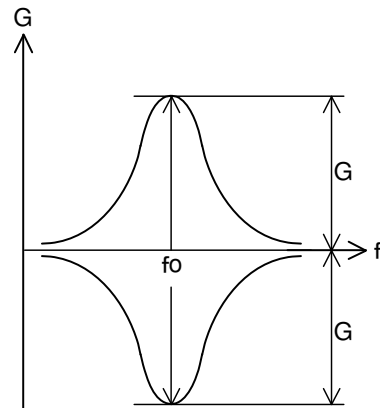


Fig.6

\* Bass Filter Feature

To set the f0 and Q values of the Bass characteristics, refer to the external components of the Bass Filter shown in the upper-left figure.

●Reference Data

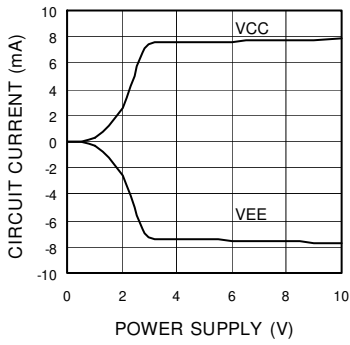


Fig.7 Circuit Current - Power Supply

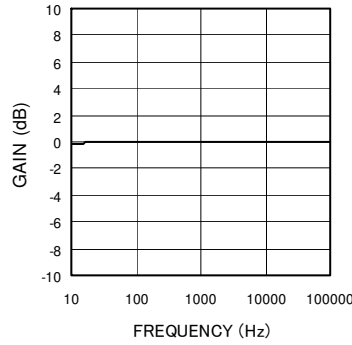


Fig.8 Voltage Gain - Frequency

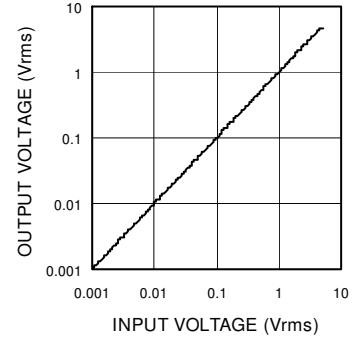


Fig.9 Output Voltage - Input Voltage

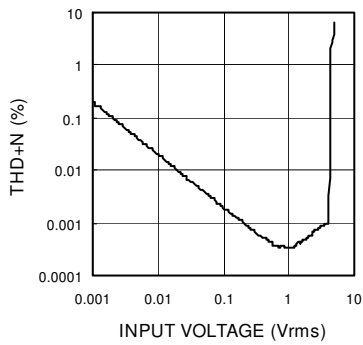


Fig.10 THD+N -Input Voltage

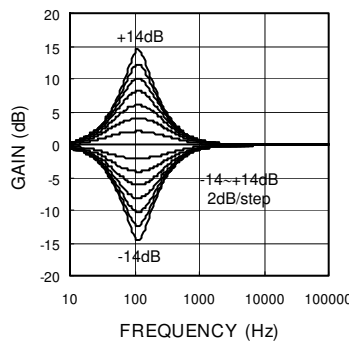


Fig.11 Bass Gain - Frequency

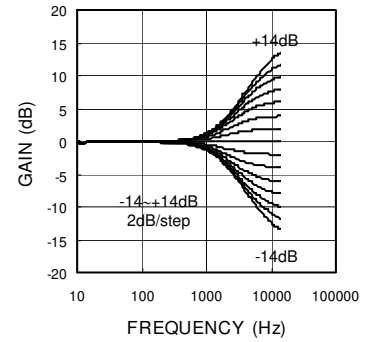


Fig.12 Treble Gain - Frequency

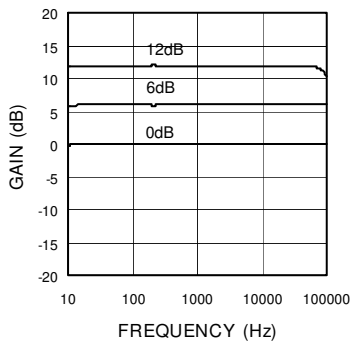


Fig.13 Input Gain - Frequency (BD3813KS)

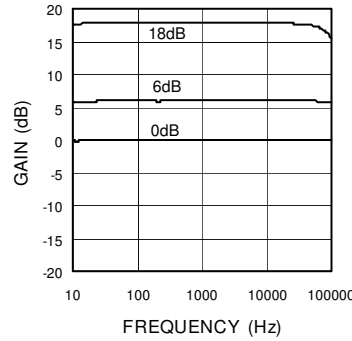


Fig.14 Input Gain - Frequency (BD3815KS)

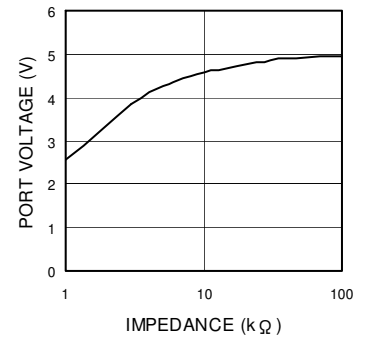


Fig.15 Port H Voltage - Load Resistance

**●Notes for use**

- (1) The numbers and data shown above are representative design values and are not guaranteed.
- (2) Although the sample application circuits are guaranteed, further verification of the electrical characteristics are recommended. When modifying external components before use, ensure that sufficient margins are in place by taking into account variations in the external components themselves as well as the LSI regarding both static and transient characteristics.
- (3) Absolute maximum ratings  
Operating or testing the IC over the maximum ratings may damage the part itself as well as peripheral components. Therefore, please ensure that the specifications are never exceeded. In addition, implementation of fuses or other physical safety measures is recommended.
- (4)  $V_{EE}$  potential  
Ensure that the  $V_{EE}$  pin voltage is at the lowest potential and that no other pin is at a lower voltage, including transient phenomena.
- (5) Thermal design  
Implement thermal designs that take into account the power dissipation under actual operating conditions.
- (6) Shorts between pins and erroneous installation  
Incorrect mounting may damage the IC. In addition, the presence of foreign particles between the pins, a pin and the power supply, or a pin and GND may result in destruction.
- (7) Operation in a strong magnetic field  
Operation in a strong magnetic field may cause malfunction.
- (8) Serial control  
The wiring pattern of the CL and DA terminals should be routed so as not to cause interference with the analog signal related lines.
- (9) Power ON/OFF
  - (a) During power ON/OFF a shock sound will be generated. Therefore, use the MUTE function.
  - (b) When turning ON the power supplies,  $V_{EE}$  and  $V_{CC}$  should either be powered on simultaneously, or  $V_{EE}$  first, followed by  $V_{CC}$ , since if  $V_{CC}$  is started up first, an excessive current may pass  $V_{CC}$  through to  $V_{EE}$ .
- (10) Function switching  
For functions except the Master Volume, Treble and Bass controls, use of the MUTE function is recommended.
- (11) Port power supply  
The port power supply should be turned ON following  $V_{CC}$  and  $V_{EE}$ . If the port is not used, the port power supply must be connected to  $V_{EE}$ .

● Thermal Derating Curve

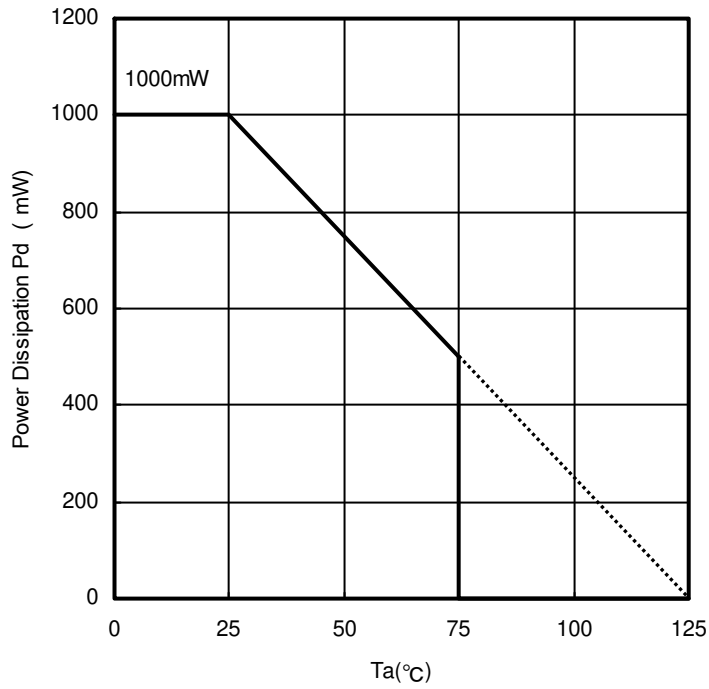


Fig. 16

BD3813KS, BD3815KS  
Board size: 70mm x 70mm x 1.6mm  
Raw material: FR4 glass epoxy board (copper area less than 3%)



● Ordering part number

B	D
---	---

Part No.

3	8	1	3
---	---	---	---

Part No.  
3813  
3815

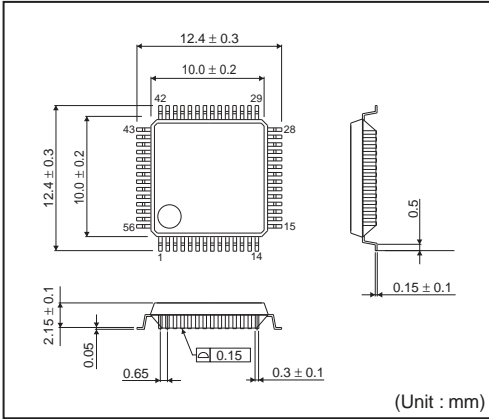
K	S
---	---

Package  
KS: SQFP56

--	--

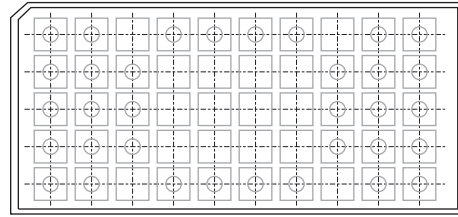
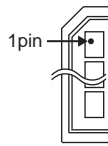
Packaging and forming specification  
None :Tray

SQFP56



<Tape and Reel information>

Container	Tray
Quantity	1000pcs
Direction of feed	Direction of product is fixed in a tray



\* Order quantity needs to be multiple of the minimum quantity.

# Notice

## Precaution on using ROHM Products

- Our Products are designed and manufactured for application in ordinary electronic equipments (such as AV equipment, OA equipment, telecommunication equipment, home electronic appliances, amusement equipment, etc.). If you intend to use our Products in devices requiring extremely high reliability (such as medical equipment <sup>(Note 1)</sup>, transport equipment, traffic equipment, aircraft/spacecraft, nuclear power controllers, fuel controllers, car equipment including car accessories, safety devices, etc.) and whose malfunction or failure may cause loss of human life, bodily injury or serious damage to property ("Specific Applications"), please consult with the ROHM sales representative in advance. Unless otherwise agreed in writing by ROHM in advance, ROHM shall not be in any way responsible or liable for any damages, expenses or losses incurred by you or third parties arising from the use of any ROHM's Products for Specific Applications.

(Note1) Medical Equipment Classification of the Specific Applications

JAPAN	USA	EU	CHINA
CLASS III	CLASS III	CLASS II b	CLASS III
CLASS IV		CLASS III	

- ROHM designs and manufactures its Products subject to strict quality control system. However, semiconductor products can fail or malfunction at a certain rate. Please be sure to implement, at your own responsibilities, adequate safety measures including but not limited to fail-safe design against the physical injury, damage to any property, which a failure or malfunction of our Products may cause. The following are examples of safety measures:
  - Installation of protection circuits or other protective devices to improve system safety
  - Installation of redundant circuits to reduce the impact of single or multiple circuit failure
- Our Products are designed and manufactured for use under standard conditions and not under any special or extraordinary environments or conditions, as exemplified below. Accordingly, ROHM shall not be in any way responsible or liable for any damages, expenses or losses arising from the use of any ROHM's Products under any special or extraordinary environments or conditions. If you intend to use our Products under any special or extraordinary environments or conditions (as exemplified below), your independent verification and confirmation of product performance, reliability, etc. prior to use, must be necessary:
  - Use of our Products in any types of liquid, including water, oils, chemicals, and organic solvents
  - Use of our Products outdoors or in places where the Products are exposed to direct sunlight or dust
  - Use of our Products in places where the Products are exposed to sea wind or corrosive gases, including Cl<sub>2</sub>, H<sub>2</sub>S, NH<sub>3</sub>, SO<sub>2</sub>, and NO<sub>2</sub>
  - Use of our Products in places where the Products are exposed to static electricity or electromagnetic waves
  - Use of our Products in proximity to heat-producing components, plastic cords, or other flammable items
  - Sealing or coating our Products with resin or other coating materials
  - Use of our Products without cleaning residue of flux (even if you use no-clean type fluxes, cleaning residue of flux is recommended); or Washing our Products by using water or water-soluble cleaning agents for cleaning residue after soldering
  - Use of the Products in places subject to dew condensation
- The Products are not subject to radiation-proof design.
- Please verify and confirm characteristics of the final or mounted products in using the Products.
- In particular, if a transient load (a large amount of load applied in a short period of time, such as pulse. is applied, confirmation of performance characteristics after on-board mounting is strongly recommended. Avoid applying power exceeding normal rated power; exceeding the power rating under steady-state loading condition may negatively affect product performance and reliability.
- De-rate Power Dissipation (Pd) depending on Ambient temperature (Ta). When used in sealed area, confirm the actual ambient temperature.
- Confirm that operation temperature is within the specified range described in the product specification.
- ROHM shall not be in any way responsible or liable for failure induced under deviant condition from what is defined in this document.

## Precaution for Mounting / Circuit board design

- When a highly active halogenous (chlorine, bromine, etc.) flux is used, the residue of flux may negatively affect product performance and reliability.
- In principle, the reflow soldering method must be used; if flow soldering method is preferred, please consult with the ROHM representative in advance.

For details, please refer to ROHM Mounting specification

### Precautions Regarding Application Examples and External Circuits

1. If change is made to the constant of an external circuit, please allow a sufficient margin considering variations of the characteristics of the Products and external components, including transient characteristics, as well as static characteristics.
2. You agree that application notes, reference designs, and associated data and information contained in this document are presented only as guidance for Products use. Therefore, in case you use such information, you are solely responsible for it and you must exercise your own independent verification and judgment in the use of such information contained in this document. ROHM shall not be in any way responsible or liable for any damages, expenses or losses incurred by you or third parties arising from the use of such information.

### Precaution for Electrostatic

This Product is electrostatic sensitive product, which may be damaged due to electrostatic discharge. Please take proper caution in your manufacturing process and storage so that voltage exceeding the Products maximum rating will not be applied to Products. Please take special care under dry condition (e.g. Grounding of human body / equipment / solder iron, isolation from charged objects, setting of Ionizer, friction prevention and temperature / humidity control).

### Precaution for Storage / Transportation

1. Product performance and soldered connections may deteriorate if the Products are stored in the places where:
  - [a] the Products are exposed to sea winds or corrosive gases, including Cl<sub>2</sub>, H<sub>2</sub>S, NH<sub>3</sub>, SO<sub>2</sub>, and NO<sub>2</sub>
  - [b] the temperature or humidity exceeds those recommended by ROHM
  - [c] the Products are exposed to direct sunshine or condensation
  - [d] the Products are exposed to high Electrostatic
2. Even under ROHM recommended storage condition, solderability of products out of recommended storage time period may be degraded. It is strongly recommended to confirm solderability before using Products of which storage time is exceeding the recommended storage time period.
3. Store / transport cartons in the correct direction, which is indicated on a carton with a symbol. Otherwise bent leads may occur due to excessive stress applied when dropping of a carton.
4. Use Products within the specified time after opening a humidity barrier bag. Baking is required before using Products of which storage time is exceeding the recommended storage time period.

### Precaution for Product Label

QR code printed on ROHM Products label is for ROHM's internal use only.

### Precaution for Disposition

When disposing Products please dispose them properly using an authorized industry waste company.

### Precaution for Foreign Exchange and Foreign Trade act

Since our Products might fall under controlled goods prescribed by the applicable foreign exchange and foreign trade act, please consult with ROHM representative in case of export.

### Precaution Regarding Intellectual Property Rights

1. All information and data including but not limited to application example contained in this document is for reference only. ROHM does not warrant that foregoing information or data will not infringe any intellectual property rights or any other rights of any third party regarding such information or data. ROHM shall not be in any way responsible or liable for infringement of any intellectual property rights or other damages arising from use of such information or data.:
2. No license, expressly or implied, is granted hereby under any intellectual property rights or other rights of ROHM or any third parties with respect to the information contained in this document.

### Other Precaution

1. This document may not be reprinted or reproduced, in whole or in part, without prior written consent of ROHM.
2. The Products may not be disassembled, converted, modified, reproduced or otherwise changed without prior written consent of ROHM.
3. In no event shall you use in any way whatsoever the Products and the related technical information contained in the Products or this document for any military purposes, including but not limited to, the development of mass-destruction weapons.
4. The proper names of companies or products described in this document are trademarks or registered trademarks of ROHM, its affiliated companies or third parties.

**General Precaution**

1. Before you use our Products, you are requested to carefully read this document and fully understand its contents. ROHM shall not be in any way responsible or liable for failure, malfunction or accident arising from the use of any ROHM's Products against warning, caution or note contained in this document.
2. All information contained in this document is current as of the issuing date and subject to change without any prior notice. Before purchasing or using ROHM's Products, please confirm the latest information with a ROHM sales representative.
3. The information contained in this document is provided on an "as is" basis and ROHM does not warrant that all information contained in this document is accurate and/or error-free. ROHM shall not be in any way responsible or liable for any damages, expenses or losses incurred by you or third parties resulting from inaccuracy or errors of or concerning such information.