

PART NAME: KNOB SCALE: 1:1 DATE: 5/21/12 DR. BY JAM

THIS DRAWING IS THE PROPERTY OF DAVIES MOLDING COMPANY, IS SUBMITTED SOLELY AS A DESIGN OR ENGINEERING PROJECT. WE ACCEPT NO RESPONSIBILITY WHATSOEVER FOR THE PRACTICAL APPLICATION OF THE PIECES MADE TO THIS DESIGN.

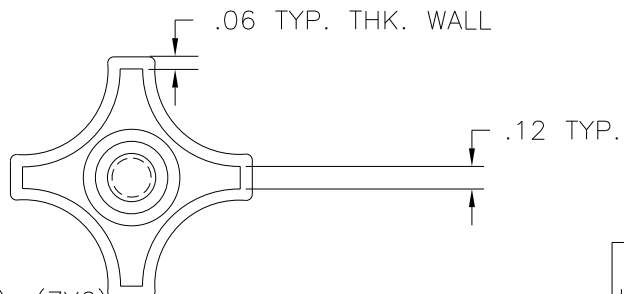
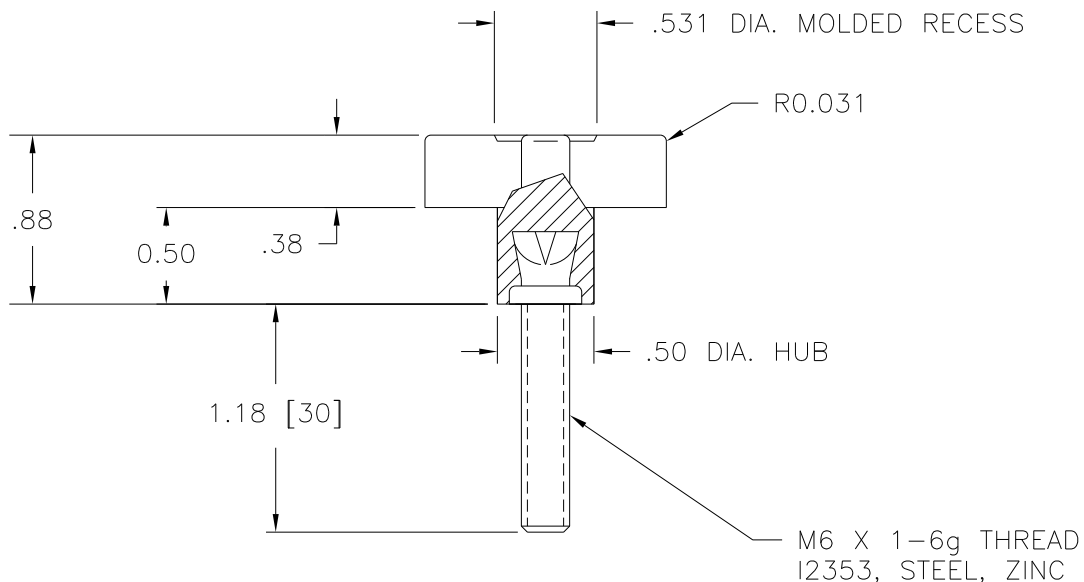
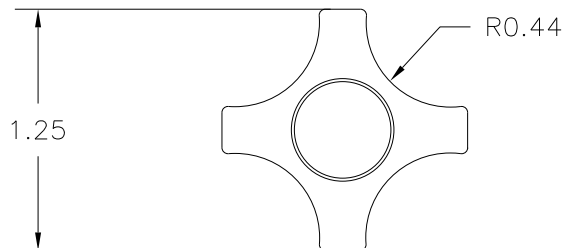


DESIGNERS & MANUFACTURERS OF KNOBS, HANDLES, CASES & CUSTOM PLASTIC COMPONENTS

P/N 2810AG

M NO. 75

CAV.	2810
CORE	2810
CAV.PLUG	2810
SLEEVE	2810
PIN	2810-J
INSERT	I2353



Ⓐ
 MATERIAL: NYLON 6/6 (ZY2), (ZY6)
 OR ENGINEERING APPROVED EQUIVALENT
 COLOR: BLACK

TOLERANCES: UNLESS OTHERWISE SPECIFIED	DO NOT SCALE DRAWING			
DECIMALS: X.XXX ± .005 X.XX ± .015	MM: X.XX ± 0.15MM X.X ± 0.4MM	A	ADDED ZY6	JAM 6/25/12
FRACTIONS ± 1/64	ANG. ± 1°	-	WAS SK2810-26	JAM 5/21/12
CHANGES				