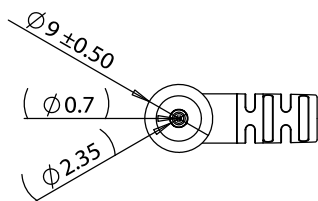
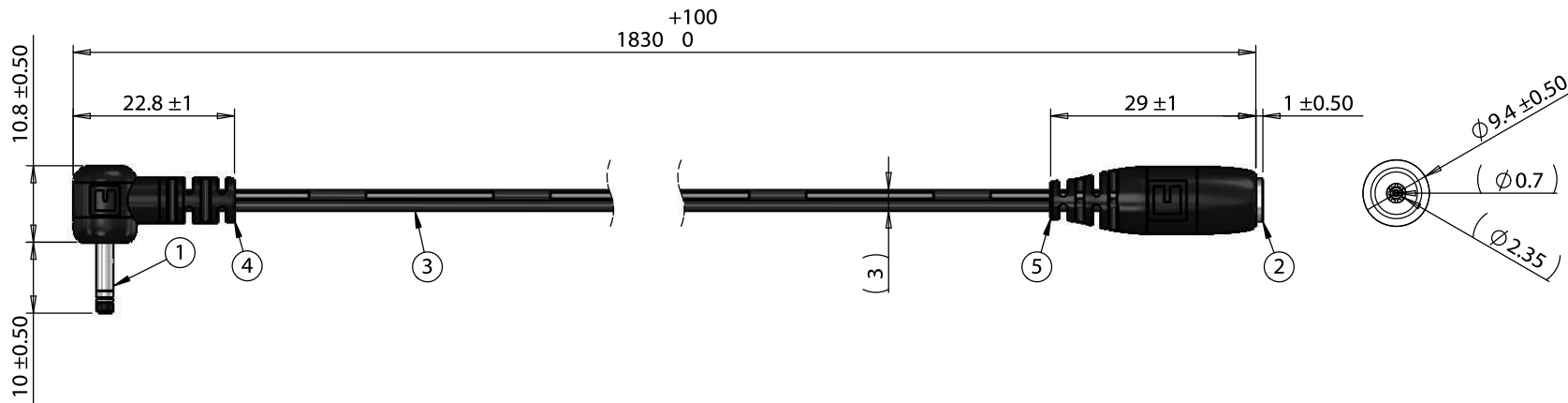


ITEM NO.	PART NUMBER	DESCRIPTION	QTY.	COMPONENT NOTES
1	50-00030	Connector, dc plug, 2.35x0.7xL20.8 mm, EIAJ-1, molding style, spring contacts	1	
2	50-00031	Connector, dc jack, 2.35x0.7xL13 mm, molding style	1	
3	30-00404	Wire, 2C TS, 24 AWG, UL2468, 300V, 80C, 3.0 mm, VW-1, PVC, 87A	1	
4	24-00009	Overmold, PVC	1	black
5	24-00005	Overmold, PVC	1	black



Wiring Diagram		
50-00030	wire color	50-00031
center	black with stripe	center
sleeve	black	sleeve

Notes:
Functionally equivalent components may be substituted

Revision:	Date:	Description:	Prepared:	Notes:	<h1>TENSILITY</h1> tel 1.541.323.3228 800 877.670.7118 fax 1.541.323.4202 web tensility.com
A	01/22/2018	Initial release	GL <small>Digitally signed by GL Date: 2018.03.06 16:27:47 -08'00'</small>		
			Verified:	Function test: no open, no short circuit, no intermittent	
			JP <small>Digitally signed by JP Date: 2018.03.07 10:39:12 -08'00'</small>	Description:	Size: Part number:
			Dimensions are in millimeters. Tolerances: X: ± 0.5 mm X.X: ± 0.3 mm X.XX: ± 0.05 mm	Cable, 1830 mm, 2.35x0.7x10 mm 90° 50-00030 dc plug to 2.35x0.7 mm 50-00031 dc jack, 24 AWG, UL2468	A 10-02538
					Scale: 1:1 Sheet 1 of 1

5

4

3

2

1