

Series AM8T-Z

8 Watt | DC-DC Converter



FEATURES:

- Wide 2:1 input range
- 24 Pin DIP Package
- Over current protection
- Efficiency up to 86%
- Operating temperature -40°C to + 85°C
- Continuous Short Circuit Protection
- Low ripple and noise
- Input/output Isolation voltage 1500VDC

Models Single output



Model	Input Voltage (V)	Input current NL FL (mA)	Output Voltage (V)	Output Current max (mA)	Capacitive load (μF)	Efficiency (%)
AM8T-1203SZ	9-18	20 687	3.3	2000	3300	80
AM8T-1205SZ	9-18	20 762	5	1500	2200	82
AM8T-1207SZ	9-18	20 803	7.2	1111	1000	83
AM8T-1209SZ	9-18	20 794	9	888	470	84
AM8T-1212SZ	9-18	20 784	12	665	470	85
AM8T-1215SZ	9-18	20 803	15	535	220	83
AM8T-2403SZ	18-36	15 344	3.3	2000	3300	80
AM8T-2405SZ	18-36	15 381	5	1500	2200	82
AM8T-2407SZ	18-36	15 396	7.2	1111	1000	84
AM8T-2409SZ	18-36	15 387	9	888	470	86
AM8T-2412SZ	18-36	15 392	12	665	470	85
AM8T-2415SZ	18-36	15 397	15	535	220	84
AM8T-4803SZ	36-72	15 172	3.3	2000	3300	80
AM8T-4805SZ	36-72	15 191	5	1500	2200	82
AM8T-4807SZ	36-72	15 198	7.2	1111	1000	84
AM8T-4809SZ	36-72	15 198	9	888	470	84
AM8T-4812SZ	36-72	15 198	12	665	470	84
AM8T-4815SZ	36-72	15 198	15	535	220	84

Models Dual output

Model	Input Voltage (V)	Input current NL FL (mA)	Output Voltage (V)	Output Current max (mA)	Capacitive load (μF)	Efficiency (%)
AM8T-1205DZ	9-18	20 813	±5	±800	±1000	82
AM8T-1207DZ	9-18	20 803	±7.2	±555	±470	83
AM8T-1209DZ	9-18	20 794	±9	±444	±330	84
AM8T-1212DZ	9-18	20 794	±12	±335	±220	84
AM8T-1215DZ	9-18	20 794	±15	±265	±100	84
AM8T-2405DZ	18-36	15 407	±5	±800	±1000	82
AM8T-2407DZ	18-36	15 396	±7.2	±555	±470	84
AM8T-2409DZ	18-36	15 392	±9	±444	±330	85
AM8T-2412DZ	18-36	15 402	±12	±335	±220	83
AM8T-2415DZ	18-36	15 392	±15	±265	±100	85
AM8T-4805DZ	36-72	15 203	±5	±800	±1000	82
AM8T-4807DZ	36-72	15 198	±7.2	±555	±1000	84
AM8T-4809DZ	36-72	15 198	±9	±444	±680	84
AM8T-4812DZ	36-72	15 196	±12	±335	±220	85
AM8T-4815DZ	36-72	15 196	±15	±265	±100	85

Input Specifications

Parameters	Nominal	Typical	Maximum	Units
Voltage range	12	9-18		VDC
	24	18-36		VDC
	48	36-72		VDC
Filter	π (Pi) Network			
Absolute Maximum Rating	12 Vin	-0.7-25		VDC
	24 Vin	-0.7-50		VDC
	48 Vin	-0.7-100		VDC
Peak Input Voltage time		100		ms
Input Reflected ripple current *		35		mA p-p

* The input reflected ripple current should be measured with connected 12 μ H inductor.

Isolation Specifications

Parameters	Conditions	Typical	Rated	Units
Tested I/O voltage	60 sec		1500	VDC
Case/input & Output Resistance	60 sec	1000		VDC
Resistance		> 1000		MOhm
Capacitance		1000		pF

Output Specifications

Parameters	Conditions	Typical	Maximum	Units
Voltage accuracy		± 1		%
Cross Regulation	Dual output, 1 load: 25 to 100%, other: 100% load	± 5		%
Short Circuit protection	Continuous, hiccup			
Short Circuit restart	Auto recovery			
Over Current Protection	150 % of Iout max			
Line voltage regulation	HL-LL	± 0.5		%
	0% to 100% load, 3.3Vout	± 1.5		%
	0% to 100% load, Dual output	± 1		%
Load voltage regulation	0% to 100% load, Single output	± 0.5		%
		± 0.02		%/°C
Temperature coefficient		± 0.02		%/°C
Ripple and Noise *		75		mVp-p

* Measured with 1 μ F CC.

General Specifications

Parameters	Conditions	Typical	Maximum	Units
Switching frequency	100% load	330		KHz
Operating temperature	With Derating above 60°C	-40 to +85		°C
Storage temperature		-40 to +125		°C
Max Case temperature			+100	°C
Derating	60 to 85°C	2.5		%/°C
Cooling	Free air convection			
Humidity			95	%
Case material	Nickel coated cooper			
Weight		17		g
Dimensions (L x H x W)	1.25 x 0.80 x 0.40 inches	31.75 x 20.32 x 10.16 mm		
MTBF	>910 000 hrs (MIL-HDBK -217F, Ground Benign, t _v =+25°C)			

NOTE: All specifications in this datasheet are measured at an ambient temperature of 25°C, humidity<75%, nominal input voltage and at rated output load unless otherwise specified.

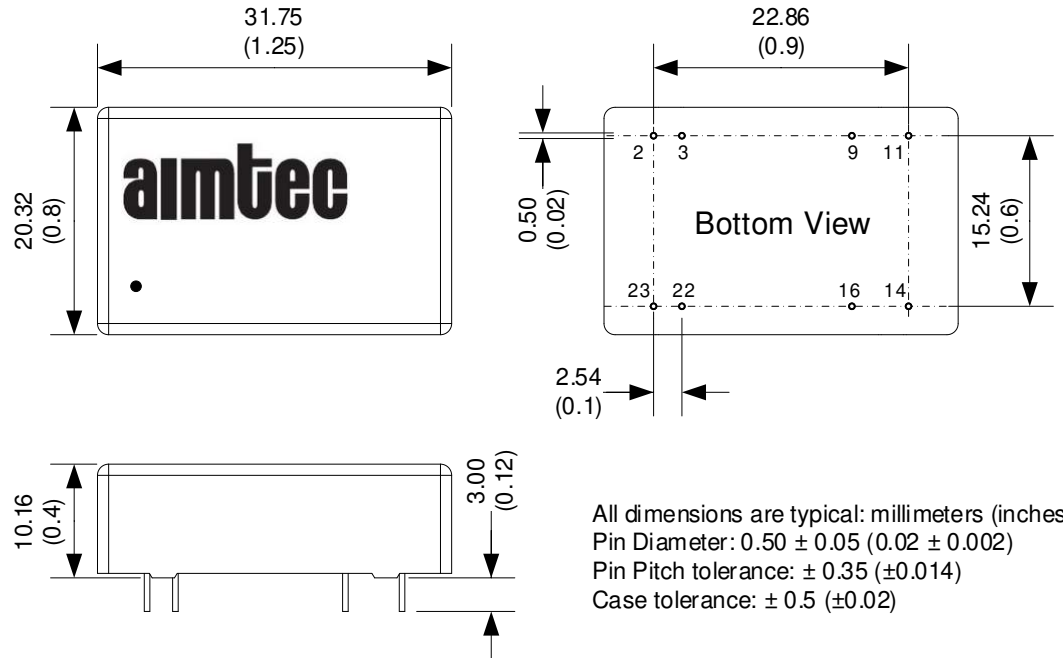
Safety Specifications

Parameters	
Agency Approval	UL, CE
Standards	EN55032 Class A, with recommended circuit
	IEC61000-4-2, Perf. Criteria A
	IEC61000-4-3, Perf. Criteria A
	IEC61000-4-4, Perf. Criteria A (external 220uF/100V cap required)
	IEC61000-4-5, Perf. Criteria A (external 220uF/100V cap required)
	IEC61000-4-6, Perf. Criteria A
	IEC61000-4-8, Perf. Criteria A
	IEC/EN/UL 60950-1:2001 & IEC/EN/UL 62368-1

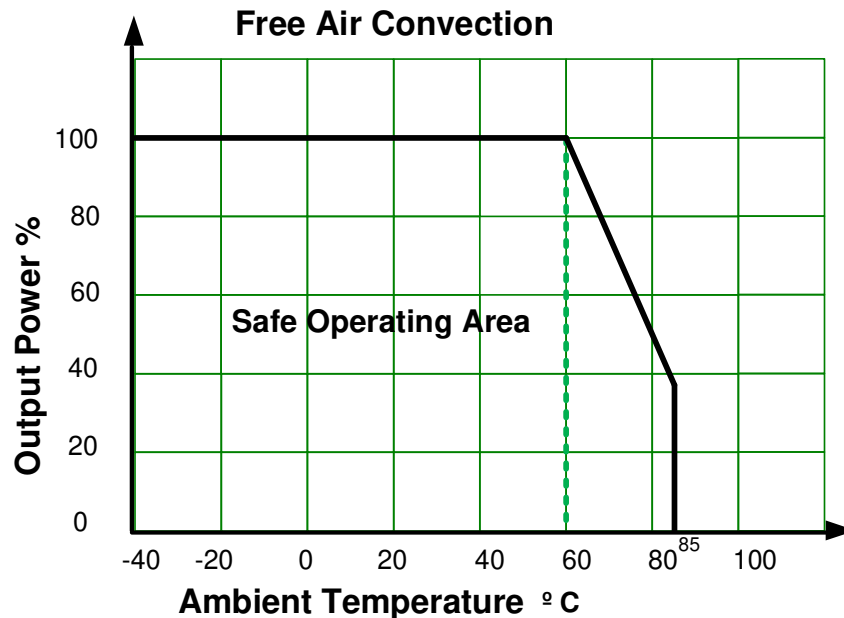
Pin Out Specifications

Pin	Single	Dual
2	-V Input	-V Input
3	-V Input	-V Input
9	No pin	Common
11	N.C.	-V Output
14	+V Output	+ V Output
16	-V Output	Common
22	+V Input	+V Input
23	+V Input	+V Input

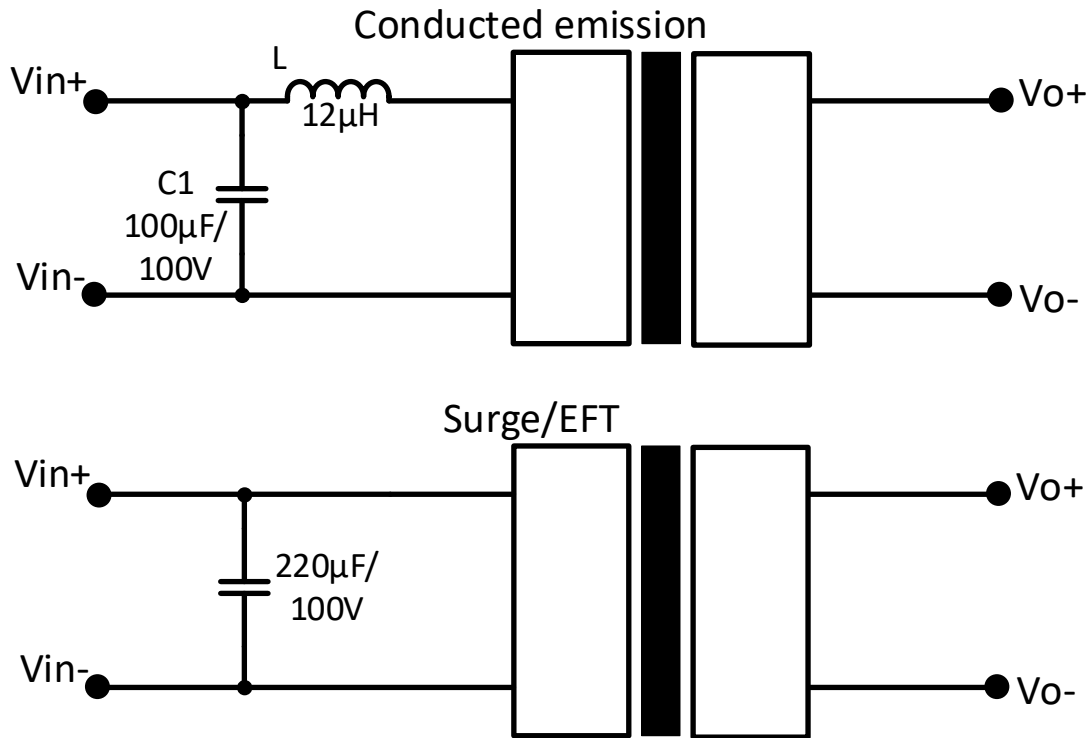
Dimensions



Derating



Recommended Circuits



NOTE: 1. Datasheets are updated as needed and as such, specifications are subject to change without notice. Once printed or downloaded, datasheets are no longer controlled by Aimtec; refer to www.aimtec.com for the most current product specifications. 2. Product labels shown, including safety agency certifications on labels, may vary based on the date manufactured. 3. Mechanical drawings and specifications are for reference only. 4. All specifications are measured at an ambient temperature of 25°C, humidity < 75%, nominal input voltage and at rated output load unless otherwise specified. 5. Aimtec may not have conducted destructive testing or chemical analysis on all internal components and chemicals at the time of publishing this document. CAS numbers and other limited information are considered proprietary and may not be available for release. 6. This product is not designed for use in critical life support systems, equipment used in hazardous environments, nuclear control systems or other such applications which necessitate specific safety and regulatory standards other than the ones listed in this datasheet. 7. Warranty is in accordance with Aimtec's standard Terms of Sale available at www.aimtec.com.