



ANATECH ELECTRONICS INC
RF & Microwave Filters & Products

8210 MHz Cavity Bandpass Filter

Part Number: AE8210B9129



Electrical specifications

Center Frequency: 8210 MHz
Input / Output Impedance: 50 Ohms
Passband: 8030-8390 MHz
Passband Insertion Loss: <3 dB
Rejection: >23 dB @ 0-7940 MHz
Rejection 2: >23 dB @ 8480-12000 MHz

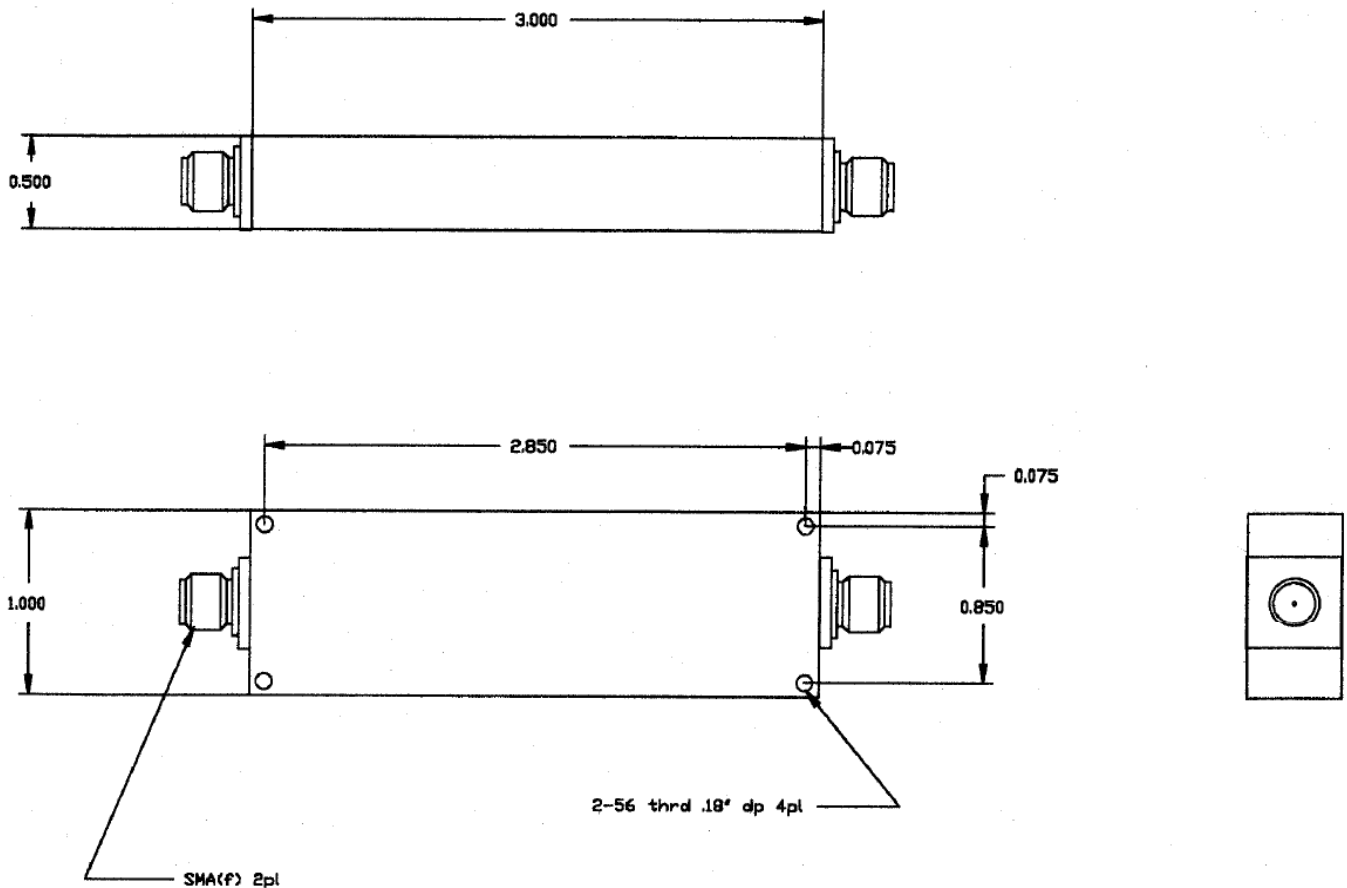
Mechanical

Connector Type: SMA (F)
Dimensions: 3 x 1 x 0.75 inches

Environmental

Operating Temperature: -45 to +85 deg.C
Storage temperature: -65 to +95 deg.C
Shock: 20 G's, ½ sine, 11ms
Vibration: 10 G's, 10-2000Hz
Relative Humidity: 0-95%

Outline Drawing:



2 decimal places: +/-0.01 inches [+/- 0.3mm]
 3 decimal places: +/- 0.005 inches [+/- 0.13mm]
 Angles: +/- 1 Deg.

When max dimensions are called out the above tolerances do not apply as long as it is under the max call out.



Response Plot:

