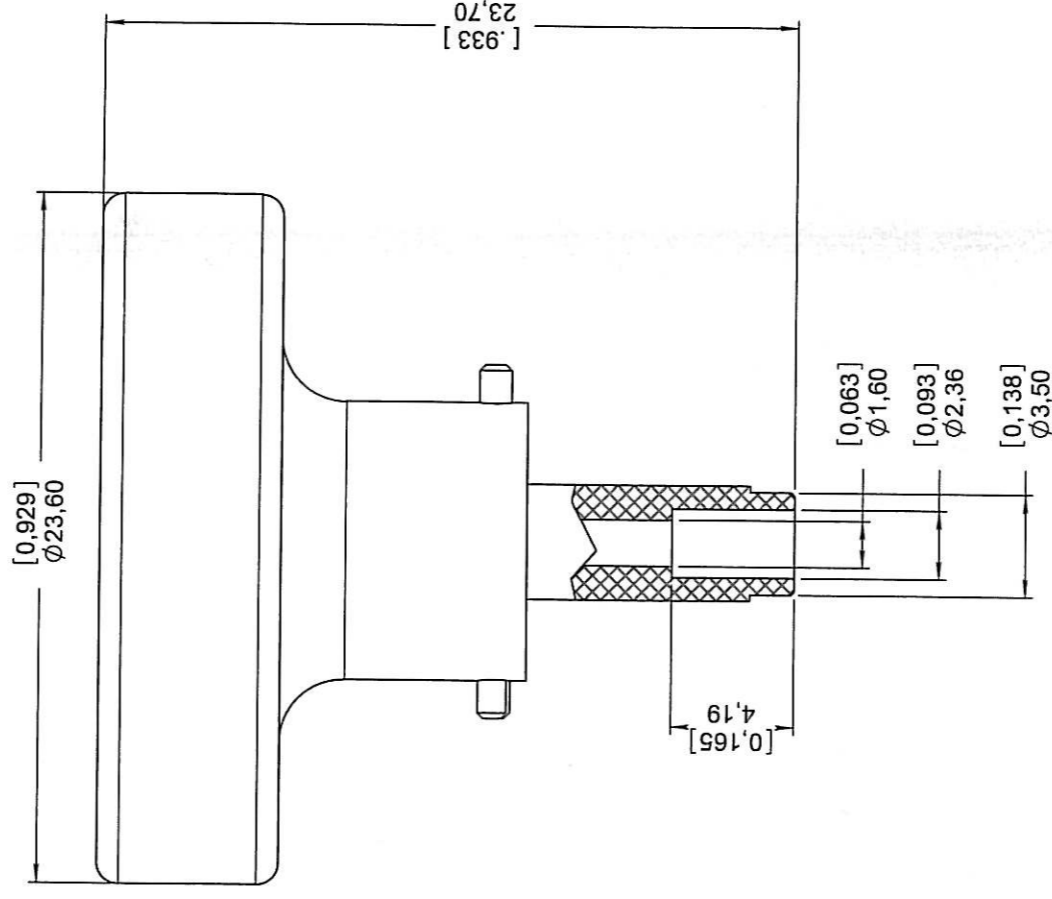
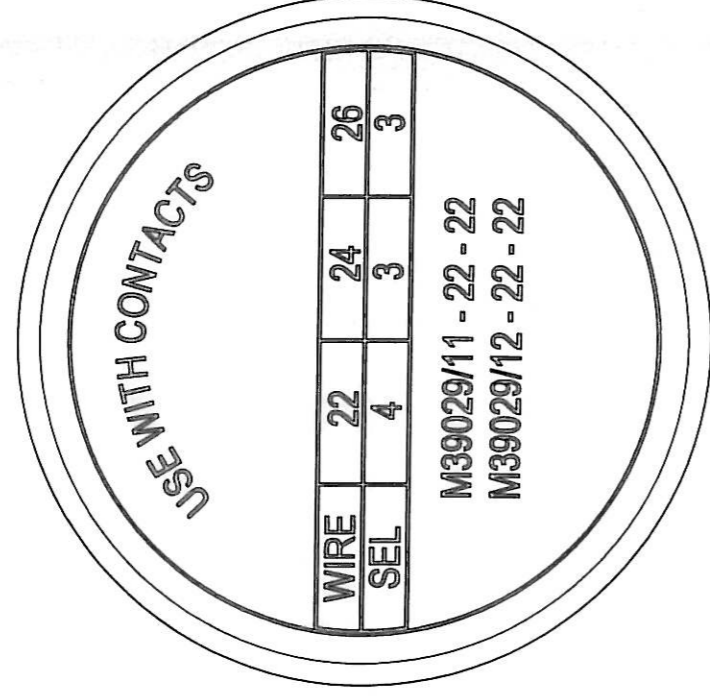


Series

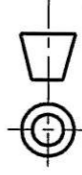
POSITIONNER
PER M22520/2-23

Issue:
Jul 07, 2006

Page
1/1



Use with crimping tool RADIALL P/N 282 281



DIMENSIONS : mm (inch are given for information only)

CREATION

PEN:

NOM: ARNAULT F.

DATE: Jul 07, 2006

APPR.: *Jolyreay*

Issue	Revisions	Name	Approved
/	/	/	/

282970EN

RADIALL PROPRIETARY INFORMATION