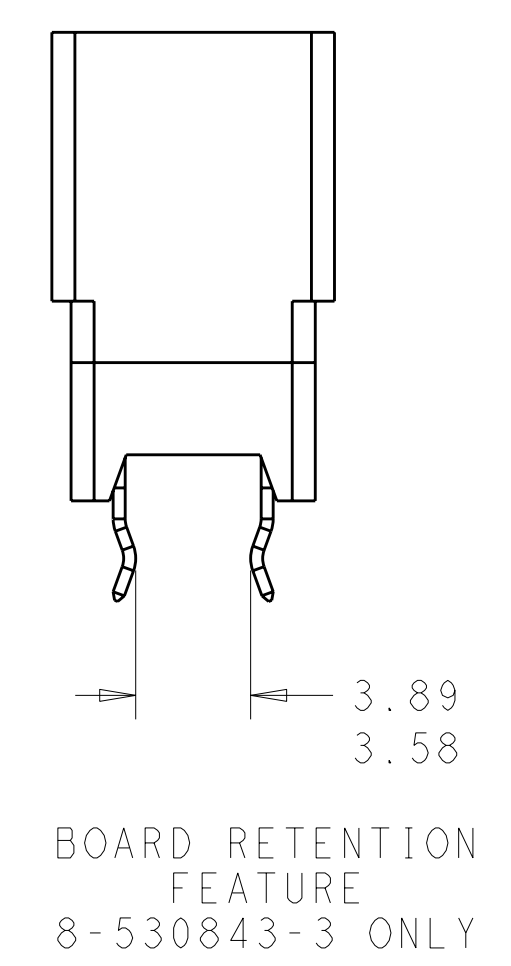
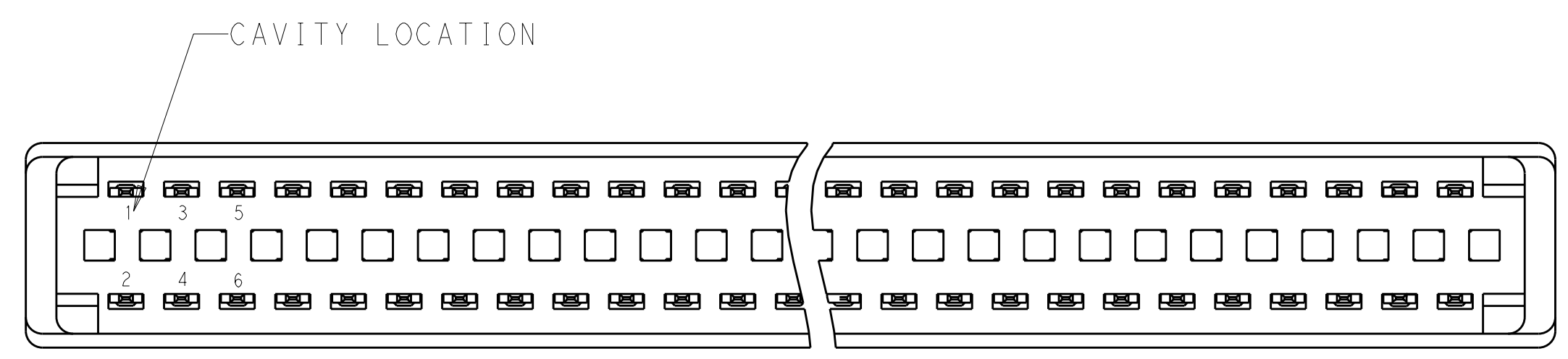
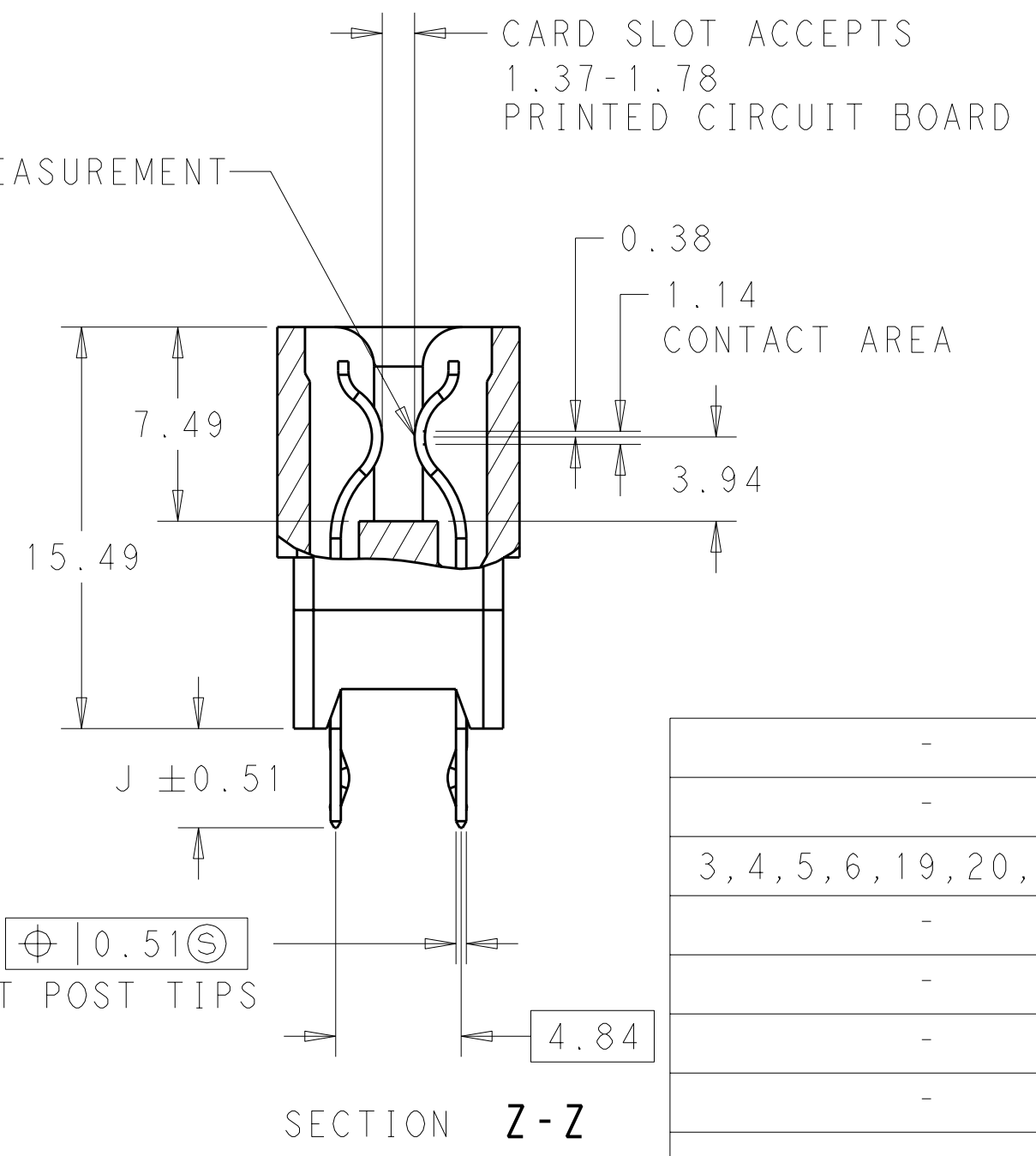
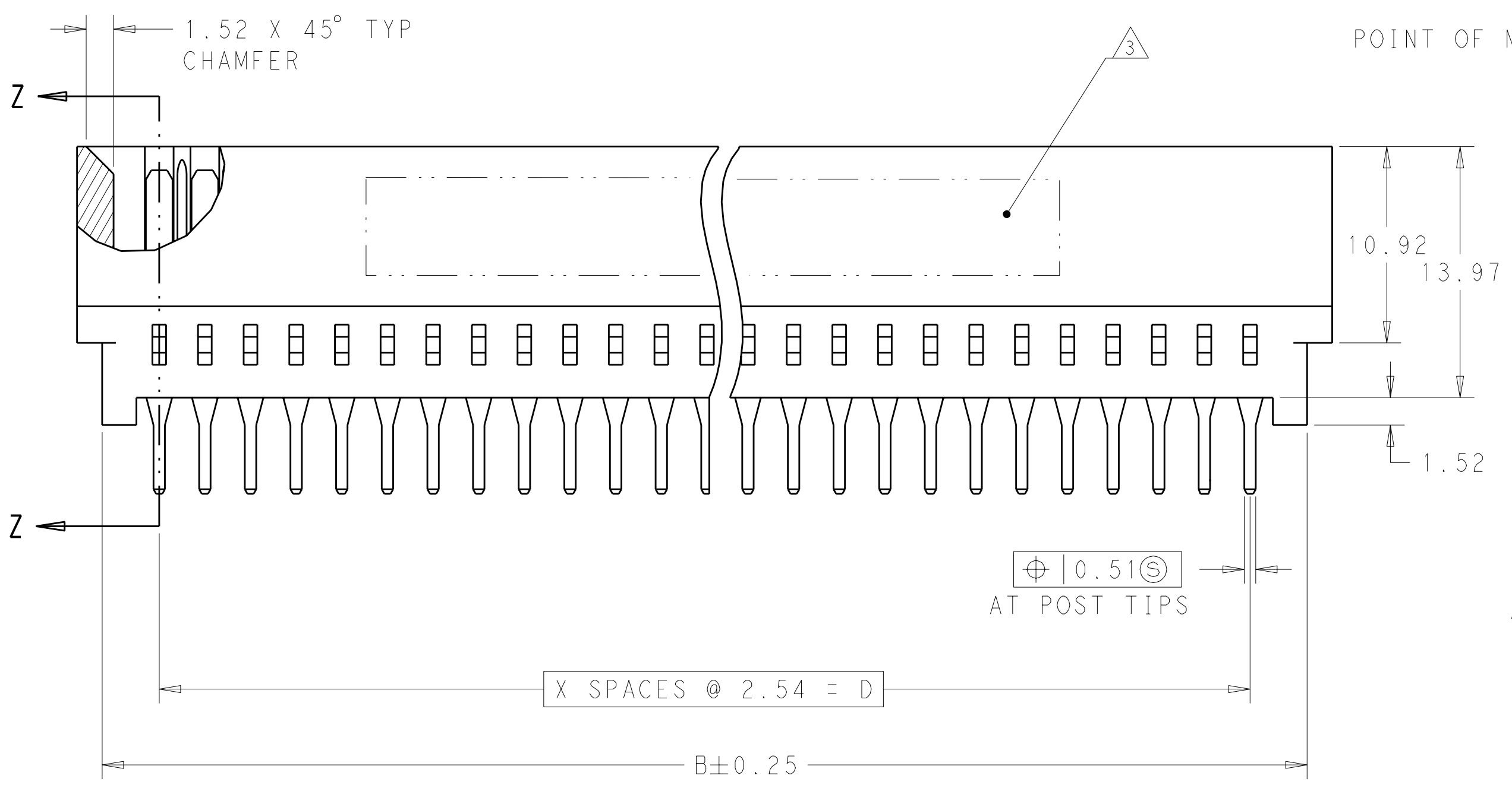
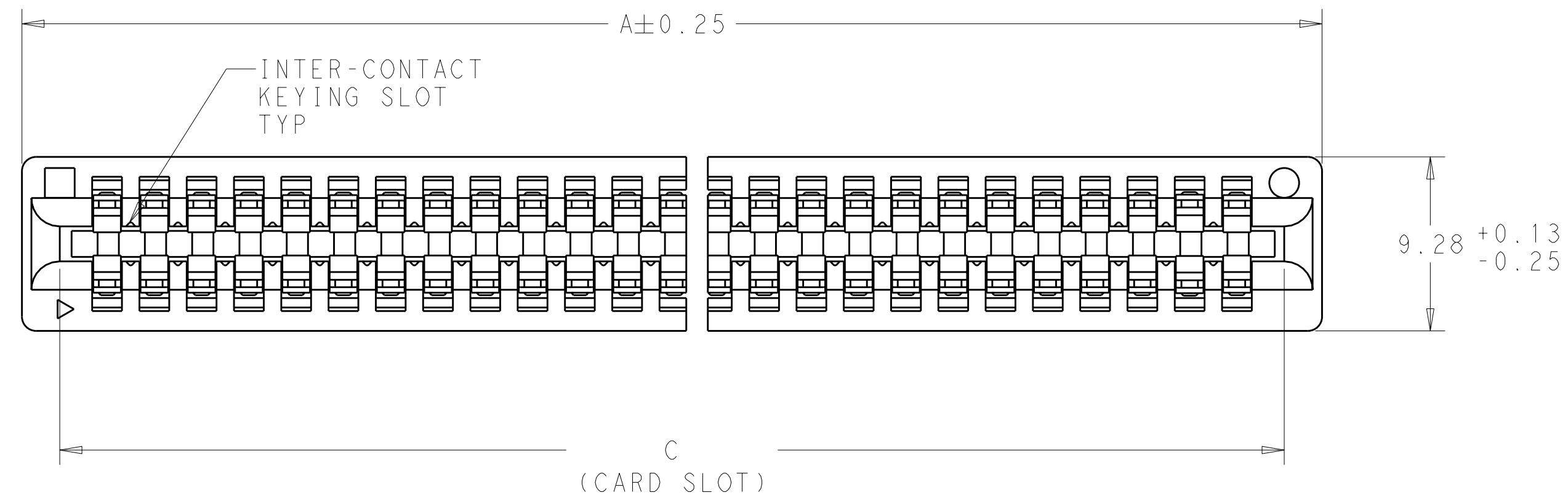


LOC	DIST	REV	DATE	BY	APPD
GP	00	1	11MAR2011	RK	HMR



- MATERIAL:
HOUSING: GLASS FILLED POLYESTER; COLOR: BLACK
CONTACT: PHOS BRONZE
- FINISH:
(SEE TABLE FOR GOLD PLATING) IN CONTACT AREA.
0.00254 MIN TIN-LEAD ON SOLDER POSTS, ALL
OVER 0.00127 MIN NICKEL
- AMP LOGO, TE CONNECTIVITY PART NUMBER, DATE CODE AND CSA LOGO INK STAMPED WHITE (HOT STAMPED OR LAZER PRINTED) IN THE APPROXIMATE AREA SHOWN, EITHER SIDE PERMISSABLE, WHEN HOUSING SIZE PERMITS
- RECOMMENDED PCB FINISHED HOLE DIAMETER = 1.02±0.08
- 0.00038 MIN
- 0.00076 MIN
- PRELIMINARY - NOT FOR PRODUCTION

REVISIONS	DATE	BY	APPD
OBSOLETE	8-530843-1		
OBSOLETE	4-530843-1		
OBSOLETE	1-530843-9		
	PART NUMBER		

BOARD RETENTION FEATURE LOCATION (SEE DETAIL Y)	FINISH	Z	J	D	C	B	A	X	NO. OF DUAL POSITIONS	PART NUMBER
-	6	19.96	3.18	15.24	20.32	21.59	24.38	6	7	8-530843-5
-	6	22.50	3.18	17.78	22.86	24.13	26.92	7	8	8-530843-4
3, 4, 5, 6, 19, 20, 21, 22	6	32.66	3.18	27.94	33.02	34.29	37.08	11	12	8-530843-3
-	6	9.80	4.75	5.08	10.16	11.43	14.22	2	3	8-530843-2
-	6	9.80	3.18	5.08	10.16	11.43	14.22	2	3	7-530843-7
-	6	17.42	4.75	12.70	17.78	19.05	21.84	5	6	7-530843-6
-	6	17.42	3.18	12.70	17.78	19.05	21.84	5	6	7-530843-5
-	5	80.92	3.18	76.20	81.28	82.55	85.34	30	31	7-530843-0
-	6	80.92	3.18	76.20	81.28	82.55	85.34	30	31	6-530843-5
-	6	154.58	3.18	149.86	154.94	156.21	159.00	59	60	5-530843-5
-	6	52.98	3.18	48.26	53.34	54.61	57.40	19	20	5-530843-4
-	6	45.36	3.18	40.64	45.72	46.99	49.78	16	17	5-530843-3
-	6	27.58	3.18	22.86	27.94	29.21	32.00	9	10	5-530843-0
-	6	47.90	3.18	43.18	48.26	49.53	52.32	17	18	2-530843-7
-	6	91.08	3.18	86.36	91.44	92.71	95.50	34	35	2-530843-3
-	6	129.18	4.75	124.46	129.54	130.81	133.60	49	50	2-530843-2
-	6	103.78	4.75	99.06	104.14	105.41	108.20	39	40	2-530843-0
-	6	78.38	4.75	73.66	78.74	80.01	82.80	29	30	1-530843-8
-	6	32.66	4.75	27.94	33.02	34.29	37.08	11	12	1-530843-2
-	6	111.40	3.18	106.68	111.76	113.03	115.82	42	43	1-530843-0
-	6	93.62	3.18	88.90	93.98	95.25	98.04	35	36	530843-8
-	6	78.38	3.18	73.66	78.74	80.01	82.80	29	30	530843-7
-	6	73.30	3.18	68.58	73.66	74.93	77.72	27	28	530843-6
-	6	68.22	3.18	63.50	66.04	67.31	70.10	24	25	530843-5
-	6	58.06	3.18	53.34	58.42	59.69	62.48	21	22	530843-4
-	6	47.90	3.18	43.18	48.26	49.53	52.32	17	18	530843-3
-	6	40.28	3.18	35.56	40.64	41.91	44.70	14	15	530843-2
-	6	32.66	3.18	27.94	33.02	34.29	37.08	11	12	530843-1

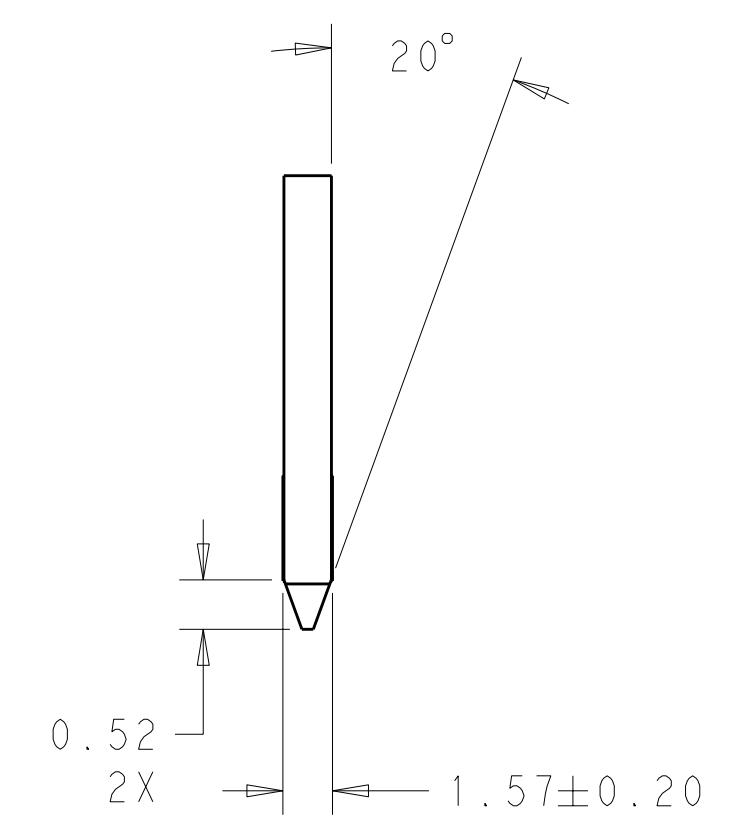
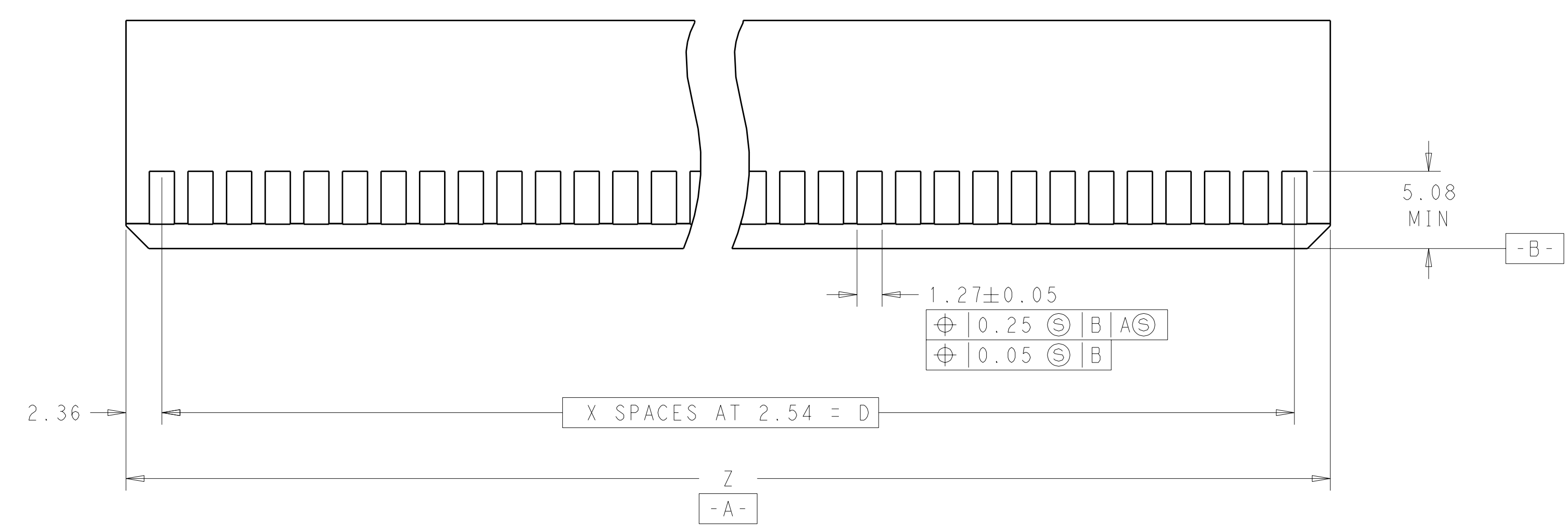
THIS DRAWING IS A CONTROLLED DOCUMENT.

DIMENSIONS: MM	TOLERANCES UNLESS OTHERWISE SPECIFIED:	DATE: 11SEP2009	DRW: MAYER/GBZYBOWSKI
0 PLC ±	1 PLC ±	11SEP2009	CHK: HOWARD
1 PLC ±	2 PLC ±	11SEP2009	APPD: PERCHERKE
3 PLC ±0.13	4 PLC ±		NAME:
ANGLES ±	FINISH #2		PRODUCT SPEC
MATERIAL: SEE NOTE 1	FINISH: SEE NOTE 2		108-9039
			APPLICATION SPEC
			114-13018
			SIZE: 114-13018
			WEIGHT:
			CUSTOMER DRAWING

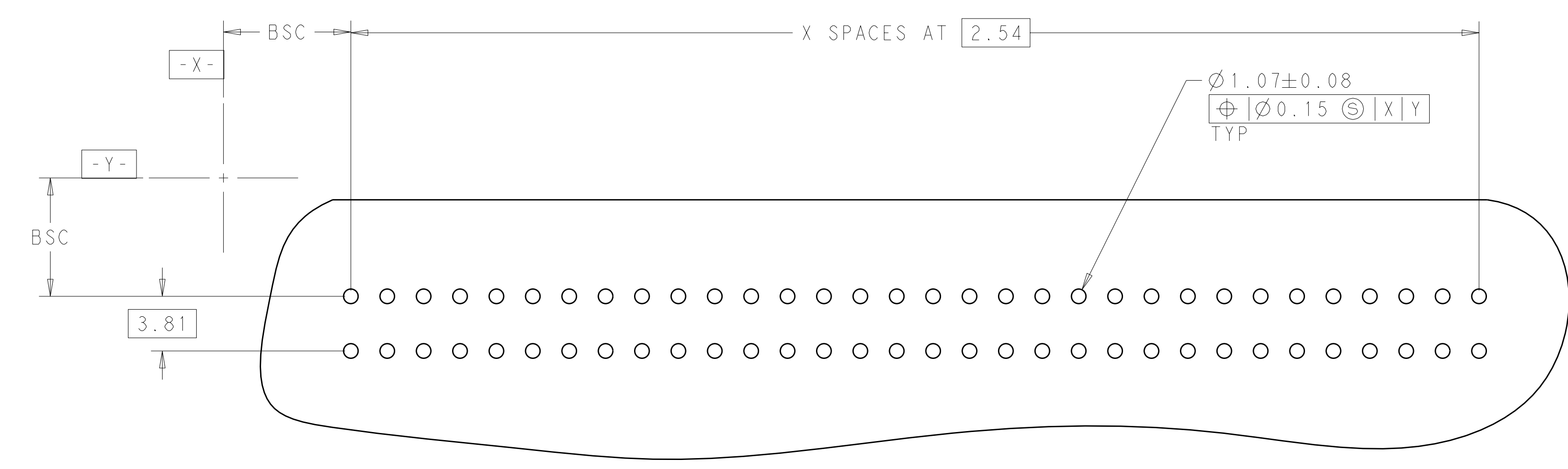
OBSOLETE
 NOT TO LATEST REVISION

SCALE: 4:1

LOC		DIST		REVISIONS			
GP	00	P	LTR	DESCRIPTION	DATE	DWN	APVD
				SEE SHEET 1			



RECOMMENDED MAIN BOARD EDGE CONFIGURATION



RECOMMENDED PC BOARD HOLE LAYOUT

THIS DRAWING IS A CONTROLLED DOCUMENT.		DWN: MAYER/GBZYBOWSKI 11SEP2009	TE Connectivity
		CHK: HOWARD 11SEP2009	
DIMENSIONS: MM		APVD: PERCHERKE 11SEP2009	NAME: CONNECTOR ASSEMBLY STANDARD EDGE, II 2.54 CENTERLINE
TOLERANCES UNLESS OTHERWISE SPECIFIED: 9 PLC \pm 2 PLC \pm 3 PLC ± 0.13 4 PLC \pm ANGLES \pm FINISH #2		PRODUCT SPEC: 108-9039	SIZE: A100779
MATERIAL: SEE NOTE 1		APPLICATION SPEC: 114-13018	DRAWING NO: C=530843
SEE NOTE 2		WEIGHT: -	RESTRICTED TO: -
CUSTOMER DRAWING		SCALE: 4:1	SHEET 2 OF 2 REV: AT5