

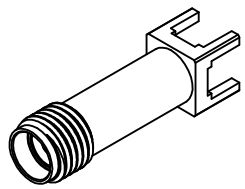
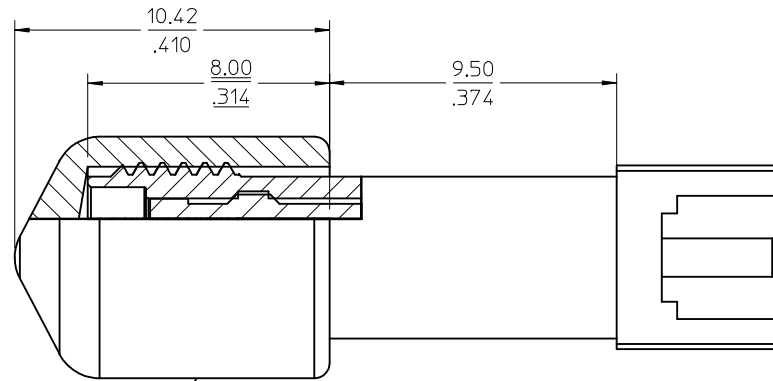
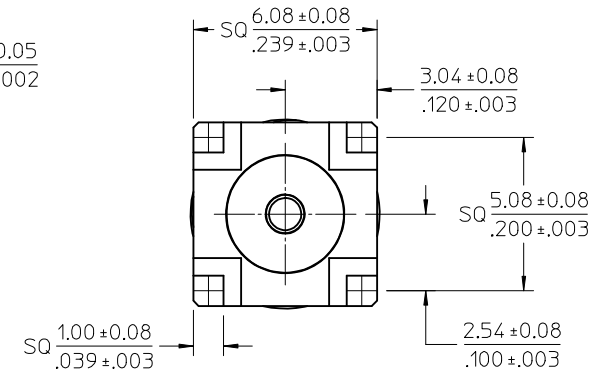
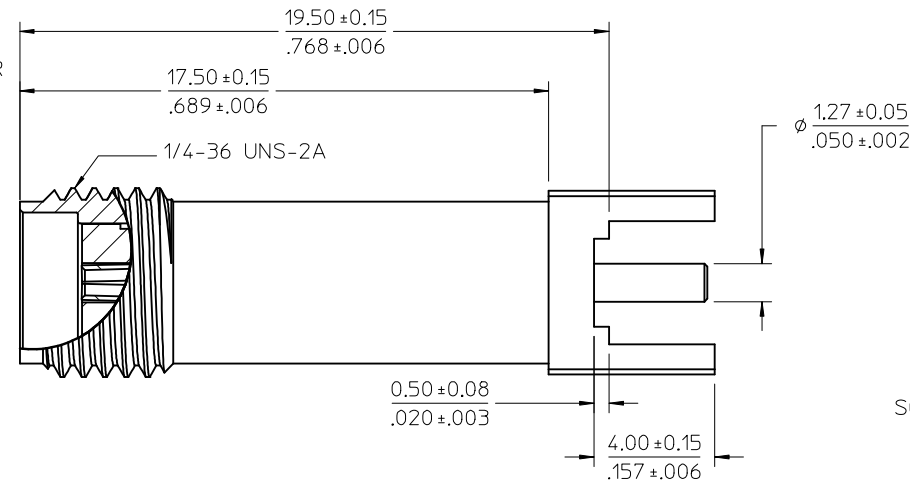
MATERIALS AND FINISHES:

BODY BRASS
PLATED SEE TABLE

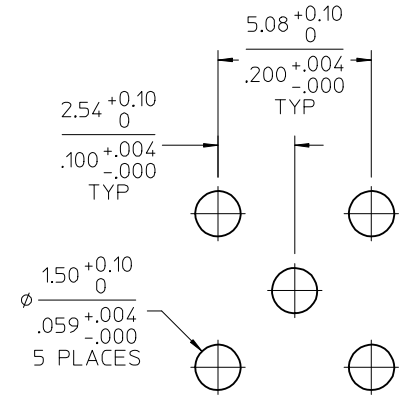
CENTER CONTACT BERYLLIUM COPPER
PLATED SEE TABLE

INSULATOR TEFLON

DUST CAP PVC / BLACK



DUST CAP FOR 73251-2332



RECOMMENDED PCB LAYOUT

73251-2332	GOLD 1u" MIN.	GOLD 1u" TO 3u"	INCLUDED	TRAY
73251-2331	GOLD 1u" MIN.	GOLD 1u" TO 3u"	NO INCLUDED	TRAY
73251-2330	GOLD 5u" TO 15u"	GOLD 10u" TO 30u"	NO INCLUDED	TRAY
PART NO	BODY	CENTER CONTACT	DUST CAP	PACKAGING

PS-89675-3460	ELEC/MECH PERFORMANCE
MIL-STD-348A, FIG. 310.2	INTERFACE
SPECIFICATION	DESCRIPTION

CHG:VIEW UPDATE	EC NO: URF2015-0587	DRWN:YCHENG	CHKD:YCHENG	APPR:YCHENG	DESCRIPTION
	2015/04/27	2015/04/27			
					A4

QUALITY SYMBOLS	GENERAL TOLERANCES (UNLESS SPECIFIED)	DIMENSION STYLE	SCALE	DESIGN UNITS	THIRD ANGLE PROJECTION
▽=0	mm INCH	MM/IN		METRIC	
▽=0	4 PLACES ± --- ± ---	DRAWN BY DATE	TITLE		
▽=0	3 PLACES ± --- ± ---	RYEH 2012/07/10	SMA JACK STR		
	2 PLACES ± --- ± ---	CHECKED BY DATE	PCB TH 50 OHMS		
	1 PLACE ± --- ± ---	KERRIE 2012/07/10	SMA-J/PCB		
	0 PLACE ± --- ± ---	APPROVED BY DATE	molex		
	ANGULAR ± 2 °	MHUANG 2012/07/27	SD-73251-233		
	DRAFT WHERE APPLICABLE MUST REMAIN WITHIN DIMENSIONS	MATERIAL NO.	DOCUMENT NO.		
		SEE TABLE			
					SHEET NO. 1 OF 1
		THIS DRAWING CONTAINS INFORMATION THAT IS PROPRIETARY TO MOLEX INCORPORATED AND SHOULD NOT BE USED WITHOUT WRITTEN PERMISSION			