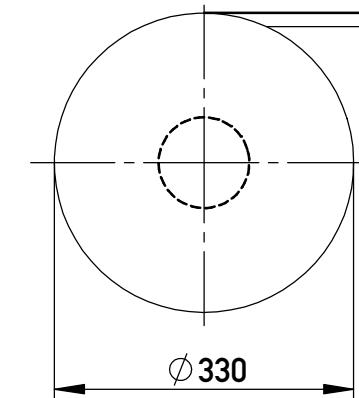
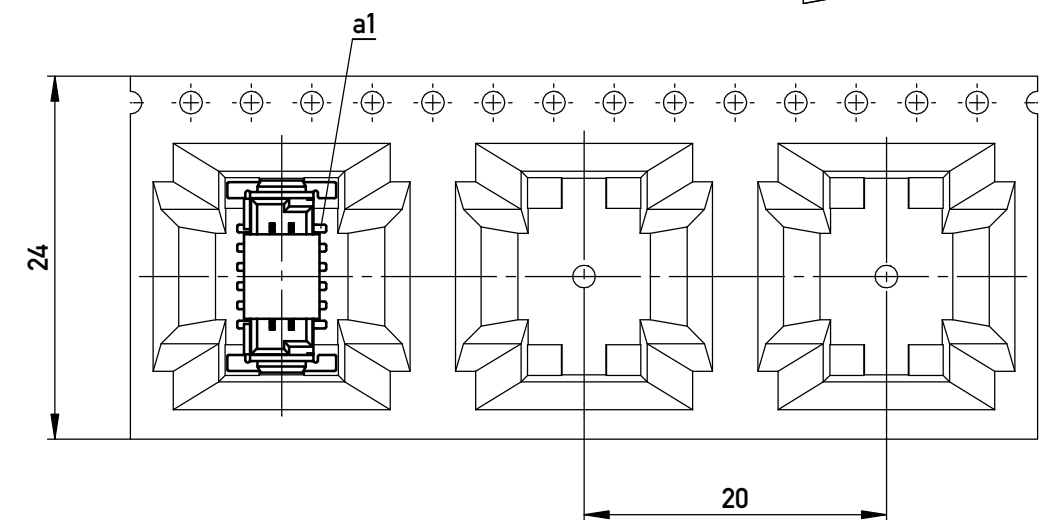


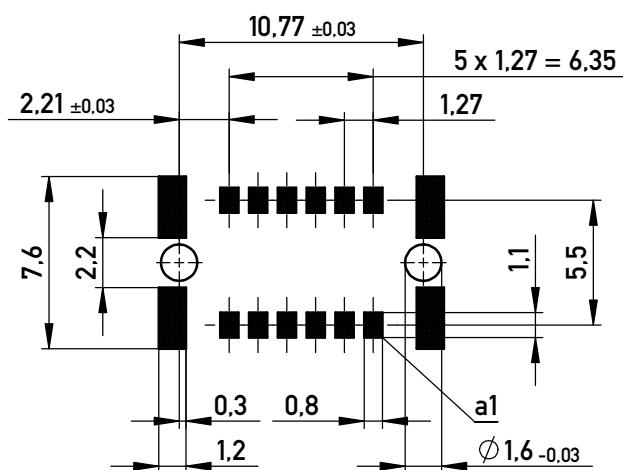
Verpackt im Gurt nach DIN IEC 60286-3  
*Tape on Reel Packaging according to DIN IEC 60286-3*  
 Verpackungseinheit: 250 Stück  
*Packaging unit: 250 pcs*



Abspulrichtung - *Reel off Direction*



Leiterplatten-Layout Vorschlag für SMT  
*PCB-Layout Proposal for SMT*



BA 8-23 hohe Bauhöhe  
*type 8-23 High Profile*

Information:		Tolerances	Scale 3:1	BA 8-23 hohe Bauhöhe <i>type 8-23 High Profile</i>	
All rights reserved. Only for Information. To ensure that this is the latest version of this drawing, please contact one of the ERNI companies before using.		 All Dimensions in mm	 3:1	Designation <b>Messerl. SMC-Q 12-SMD-BA8-23</b> <i>Male SMC-Q 12-SMD-type8-23</i>	
 www.ERNI.com		<b>234206</b>		<b>I</b> A3	
e	26.06.2015	Class SMCQ			
Index	Date				

Copyright by ERNI GmbH  
 Proprietary notice pursuant to ISO 16016 to be observed.