

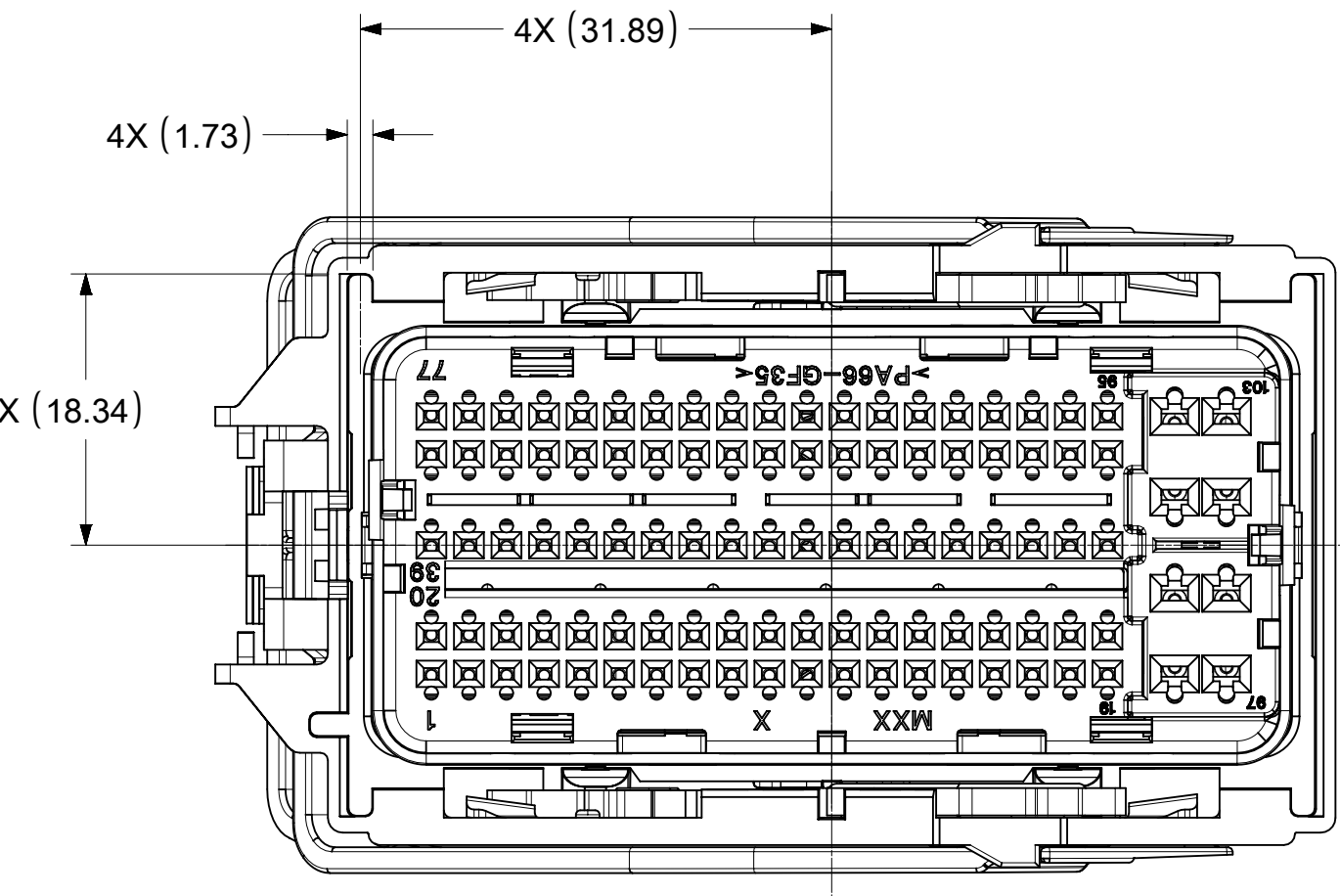
BOM AND PIN OUT SHEET

ASSEMBLY DESCRIPTION	ASSEMBLY PART NUMBER	COMPONENT							BLOCKED TERMINALS															STATUS	COMMENTS				
		THE PRESENCE OF AN ABBREVIATION INDICATES THE PRESENCE OF THAT COMPONENT.							CAVITY WITH A NUMBER INDICATES BLOCKED TERMINAL POSITION CAVITY WITHOUT A NUMBER INDICATES OPEN TERMINAL POSITION																				
		OUTER HOUSING KEY/COLOR	INNER HOUSING	PLR	LEVER	LEVER ARM (x/2)	MAT SEAL	RING SEAL																					
GPEC RCPT CONN 95 CKT TOP LVR KEY 4/50	349927006	4-BLACK	IH	PLR	LT	LA	M	R	-	-	3	4	-	-	-	-	9	-	-	12	13	-	15	-	77	78	79	-	
									16	17	18	19	20	21	-	23	24	25	26	-	28	-	30	-	-	-	-	-	
									-	-	-	-	-	-	-	-	38	-	-	-	-	43	44	45	-	-	-	-	-
									46	47	48	49	-	51	-	53	54	-	56	-	-	59	-	86	-	-	-	-	
									61	-	-	-	-	66	67	68	69	70	71	-	73	74	-	91	-	-	-	-	
GPEC RCPT CONN 95 CKT TOP LVR KEY 4/54	349927007	4-BLACK	IH	PLR	LT	LA	M	R	-	-	3	4	5	-	-	-	9	-	-	-	-	-	15	-	77	78	79	80	
									16	17	18	19	20	-	-	23	24	25	26	-	28	-	-	-	-	-	-	-	
									-	-	-	-	-	-	-	-	38	-	-	-	-	-	44	-	-	-	-	-	-
									46	47	-	49	-	51	-	-	54	-	56	-	-	59	-	86	-	-	-	-	
									61	-	-	-	-	66	67	68	69	70	71	-	73	74	75	91	-	-	-	95	
GPEC RCPT CONN 95 CKT TOP LVR KEY 4/46	349927008	4-BLACK	IH	PLR	LT	LA	M	R	-	-	3	4	-	-	-	-	9	-	-	12	13	-	15	-	77	78	79	80	
									16	17	18	19	20	21	-	23	24	25	26	-	28	-	30	-	-	-	-	85	
									-	-	-	-	-	-	-	-	38	-	-	-	-	43	44	45	-	-	-	-	-
									46	47	48	49	-	51	-	53	54	-	56	-	-	59	-	86	-	-	-	-	
									61	-	-	-	-	66	67	68	69	70	71	-	73	74	-	91	-	-	94	95	
GPEC RCPT CONN 95 CKT TOP LVR KEY 4/45	349927009	4-BLACK	IH	PLR	LT	LA	M	R	-	-	3	4	-	6	7	8	9	-	-	12	13	-	15	-	77	78	79	80	
									16	17	18	19	20	-	-	23	24	25	26	-	28	-	-	-	-	-	-	85	
									-	-	-	-	-	-	-	-	38	-	-	41	-	43	44	45	-	-	-	-	-
									46	47	48	49	-	51	-	53	54	-	56	-	-	59	-	86	-	-	-	-	
									61	-	-	-	-	66	67	68	-	70	71	-	73	74	-	91	-	-	94	95	
GPEC RCPT CONN 95 CKT TOP LVR KEY 4/42	349927010	4-BLACK	IH	PLR	LT	LA	M	R	-	-	3	4	-	6	7	8	9	-	-	12	13	-	15	-	77	78	79	80	
									16	17	18	19	20	21	-	23	24	25	26	-	28	-	30	-	-	-	-	85	
									-	-	-	-	-	-	-	-	38	-	-	41	-	43	44	45	-	-	-	-	-
									46	47	48	49	-	51	-	53	54	-	56	-	-	59	-	86	-	-	-	-	
									61	-	-	-	-	66	67	68	69	70	71	-	73	74	-	91	-	-	94	95	
GPEC RCPT CONN 95 CKT TOP LVR KEY 4/47	349927011	4-BLACK	IH	PLR	LT	LA	M	R	-	-	3	4	5	-	-	-	9	-	-	12	13	-	15	-	77	78	79	80	
									16	17	18	-	20	21	-	23	24	25	26	-	28	-	30	-	-	-	-	85	
									-	-	-	-	-	-	-	-	38	-	-	-	-	43	44	45	-	-	-	-	-
									46	47	-	49	-	51	-	53	54	-	56	-	-	59	-	86	-	-	-	-	
									61	-	-	-	-	66	67	68	69	70	71	-	73	74	-	91	-	-	94	95	
GPEC RCPT CONN 95 CKT TOP LVR KEY 4/52	349927012	4-BLACK	IH	PLR	LT	LA	M	R	1	2	3	4	5	6	-	-	9	-	-	-	-	14	15	-	77	-	79	80	
									-	17	18	19	20	-	-	23	24	25	-	-	28	-	-	-	-	-	-	85	
									-	-	-	-	-	-	-	37	-	-	-	-	-	44	-	-	-	-	-	-	
									46	-	48	49	-	51	-	-	-	-	56	-	-	59	-	86	-	-	-	-	
									61	-	63	64	-	66	67	68	69	-	71	-	-	74	75	91	92	-	-	95	
GPEC RCPT CONN 95 CKT TOP LVR KEY 4/47	349927013	4-BLACK	IH	PLR	LT	LA	M	R	-	-	3	4	-	-	-	-	9	-	-	12	13	-	15	-	77	78	79	80	
									16	17	18	-	20	21	-	23	24	25	26	-	28	-	30	-	-	-	-	85	
									-	-	-	-	-	-	-	-	38	-	-	-	-	43	44	45	-	-	-	-	-
									46	47	48	49	-	51	-	53	54	-	56	-	-	59	-	86	-	-	-	-	
									61	-	-	-	-	66	67	68	69	70	71	-	73	74	-	91	-	-	94	95	
GPEC RCPT CONN 95 CKT TOP LVR KEY 4/50	349927014	4-BLACK	IH	PLR	LT	LA	M	R	-	-	3	4	-	-	-	-	9	-	-	12	13	-	15	-	77	78	79	80	
									16	17	18	-	20	21	-	23	24	25	26	-	28	-	30	-	-	-	-	85	
									-	-	-	-	-	-	-	-	38	-	-	-	-	43	-	-	-	-	-	-	-
									46	47	-	49	-	51	52	53	54	-	56	-	-	59	-	86	-	-	-	-	
									-	-	-	-	-	66	67	68	69	70	71	-	73	74	-	91	-	-	94	95	
GPEC RCPT CONN 95 CKT TOP LVR KEY 4/52	349927015	4-BLACK	IH	PLR	LT	LA	M	R	1	-	3	4	-	6	-	-	9	-	-	-	-	-	15	-	-	78	79	80	
									16	17	-	19	-	21	-	23	24	25	26	-	28	29	30	-	-	-	-	85	
									-	-	-	-	-	-	-	-	-	-	-	-	42	-	44	-	-	-	-	-	-
									46	-	-	49	-	51	-	53	54	55	56	-	-	59	-	86	-	-	-	-	
									-	-	-	64	-	66	67	68	69	70	71	-	-	74	75	91	-	-	-	95	

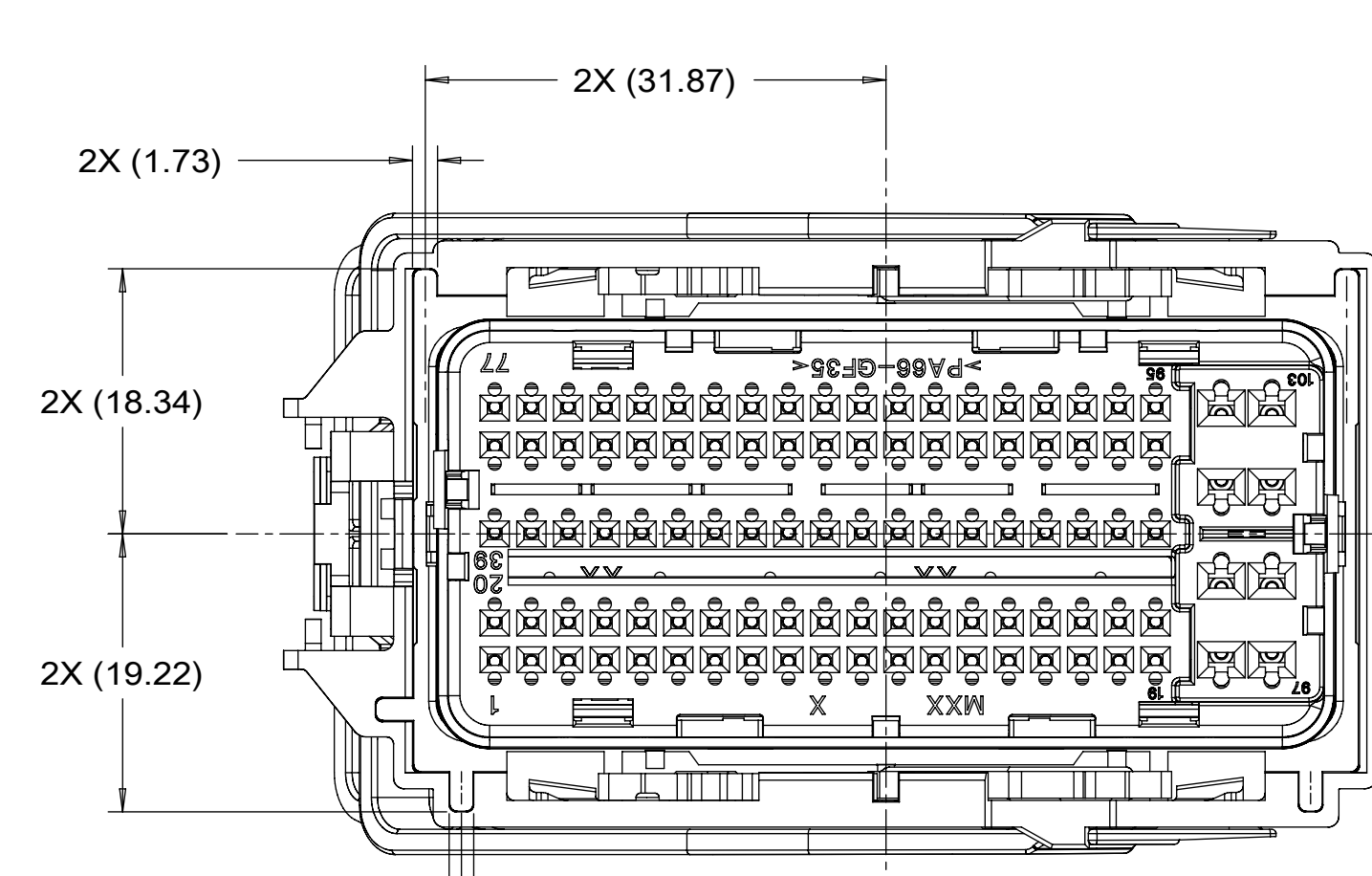
BOM AND PIN OUT SHEET

ASSEMBLY DESCRIPTION	ASSEMBLY PART NUMBER	COMPONENT							BLOCKED TERMINALS																	STATUS	COMMENTS			
		THE PRESENCE OF AN ABBREVIATION INDICATES THE PRESENCE OF THAT COMPONENT.							CAVITY WITH A NUMBER INDICATES BLOCKED TERMINAL POSITION CAVITY WITHOUT A NUMBER INDICATES OPEN TERMINAL POSITION																					
		OUTER HOUSING KEY/COLOR	INNER HOUSING	PLR	LEVER	LEVER ARM (x/2)	MAT SEAL	RING SEAL																						
GPEC RCPT CONN 95 CKT TOP LVR KEY 4/50	349927016	4-BLACK	IH	PLR	LT	LA	M	R	-	-	3	4	-	-	-	-	9	-	-	12	13	-	15	-	77	78	79	80	SALEABLE	
									16	17	18	-	20	21	22	23	-	25	26	-	28	-	30	-	-	-	-	85		
									-	-	-	-	-	-	-	-	-	40	-	42	-	44	-	-	-	-	-	-		
									46	47	48	-	-	51	52	53	54	-	56	-	-	59	-	86	-	-	-	-		
									61	-	-	-	-	66	67	68	-	70	71	72	73	74	-	-	-	-	-	95		
GPEC RCPT CONN 95 CKT END LVR KEY 5/95	349928001	5-BLACK	IH	PLR	LE	LA	M	R	-	-	-	-	-	-	-	-	-	-	-	-	-	-	-	-	-	-	-	-	SALEABLE	
									-	-	-	-	-	-	-	-	-	-	-	-	-	-	-	-	-	-	-	-		
									-	-	-	-	-	-	-	-	-	-	-	-	-	-	-	-	-	-	-	-		
									-	-	-	-	-	-	-	-	-	-	-	-	-	-	-	-	-	-	-	-		
									-	-	-	-	-	-	-	-	-	-	-	-	-	-	-	-	-	-	-	-		
GPEC RCPT CONN 95 CKT END LVR KEY 5/95	349928002	5-BLACK	IH	PLR	LE	LA	M	R	-	-	-	-	-	-	-	-	-	-	-	-	-	-	-	-	-	-	-	-	SALEABLE	
									-	-	-	-	-	-	-	-	-	-	-	-	-	-	-	-	-	-	-	-		
									-	-	-	-	-	-	-	-	-	-	-	-	-	-	-	-	-	-	-	-		
									-	-	-	-	-	-	-	-	-	-	-	-	-	-	-	-	-	-	-	-		
									-	-	-	-	-	-	-	-	-	-	-	-	-	-	-	-	-	-	-	-		
GPEC RCPT CONN 95 CKT END LVR KEY 5/49	349928003	5-BLACK	IH	PLR	LE	LA	M	R	-	2	3	4	-	-	-	-	-	-	-	-	-	14	15	-	-	-	-	-	SALEABLE	
									-	17	18	-	20	21	-	-	24	-	26	27	-	-	30	81	-	-	-	85		
									-	-	33	34	35	-	-	38	39	-	41	-	-	44	-	-	-	-	-	-		
									46	47	48	49	50	51	52	53	-	-	-	57	58	-	-	86	87	88	-	-		
									-	62	63	64	65	66	67	68	-	70	71	72	-	-	-	91	-	-	-	-		
GPEC RCPT CONN 95 CKT END LVR KEY 5/56	349928004	5-BLACK	IH	PLR	LE	LA	M	R	-	-	-	4	5	-	-	-	-	-	-	-	-	-	-	-	-	-	-	-	SALEABLE	
									-	-	-	-	-	21	-	23	-	-	26	27	-	-	-	-	-	-	-	-		
									31	32	-	-	-	-	37	-	39	-	-	42	43	-	-	-	-	-	-	-		
									-	-	48	49	50	51	52	53	54	55	56	-	58	59	60	-	87	-	-	-		
									61	62	63	64	65	-	67	68	-	-	-	72	73	74	75	-	92	93	94	-		
GPEC RCPT CONN 95 CKT END LVR KEY 5/44	349928005	5-BLACK	IH	PLR	LE	LA	M	R	-	-	-	-	5	-	-	-	-	-	-	12	-	-	-	76	77	78	79	80	SALEABLE	
									-	-	-	-	-	21	-	-	24	25	-	27	-	29	-	-	-	83	84	85		
									31	32	33	34	35	-	-	-	39	-	-	-	43	44	-	-	-	-	-	90		
									-	-	48	49	50	51	52	-	-	55	56	-	58	59	60	-	-	-	-	94		
									61	62	63	64	65	66	67	68	69	70	71	72	73	74	75	-	-	-	94	95		
GPEC RCPT CONN 95 CKT TOP LVR KEY 5/95	349929001	5-BLACK	IH	PLR	LT	LA	M	R	-	-	-	-	-	-	-	-	-	-	-	-	-	-	-	-	-	-	-	-	SALEABLE	
									-	-	-	-	-	-	-	-	-	-	-	-	-	-	-	-	-	-	-	-		
									-	-	-	-	-	-	-	-	-	-	-	-	-	-	-	-	-	-	-	-		
									-	-	-	-	-	-	-	-	-	-	-	-	-	-	-	-	-	-	-	-		
									-	-	-	-	-	-	-	-	-	-	-	-	-	-	-	-	-	-	-	-		
GPEC RCPT CONN 95 CKT TOP LVR KEY 5/51	349929002	5-BLACK	IH	PLR	LT	LA	M	R	-	-	3	4	-	-	-	-	9	-	-	12	13	-	15	-	77	78	-	80	SALEABLE	
									16	17	-	19	-	21	-	23	24	-	-	-	28	29	30	-	-	-	-	85		
									-	-	-	-	-	-	-	-	-	-	-	-	-	44	-	-	-	-	-	-		
									46	47	48	-	-	51	52	53	54	-	56	-	-	59	60	86	-	-	-	-		
									61	-	-	64	-	66	67	68	69	70	71	-	73	74	75	91	-	-	-	95		
GPEC RCPT CONN 95 CKT TOP LVR KEY 5/95	349929003	5-BLACK	IH	PLR	LT	LA	M	R	-	-	-	-	-	-	-	-	-	-	-	-	-	-	-	-	-	-	-	-	SALEABLE	
									-	-	-	-	-	-	-	-	-	-	-	-	-	-	-	-	-	-	-	-		
									-	-	-	-	-	-	-	-	-	-	-	-	-	-	-	-	-	-	-	-		
									-	-	-	-	-	-	-	-	-	-	-	-	-	-	-	-	-	-	-	-		
									-	-	-	-	-	-	-	-	-	-	-	-	-	-	-	-	-	-	-	-		
GPEC RCPT CONN 95 CKT TOP LVR KEY 5/45	349929004	5-BLACK	IH	PLR	LT	LA	M	R	-	-	3	4	-	6	7	8	9	-	-	12	13	-	15	-	77	78	-	80	SALEABLE	
									16	17	-	19	-	21	-	23	24	-	-	-	28	29	30	-	-	-	-	85		
									-	-	-	-	-	-	-	-	-	-	-	-	-	44	-	-	-	-	-	-		
									46	47	48	-	-	51	52	53	54	55	56	-	-	59	60	86	-	-	-	-		
									61	-	-	64	-	66	67	68	69	70	71	-	73	74	75	91	-	-	-	95		

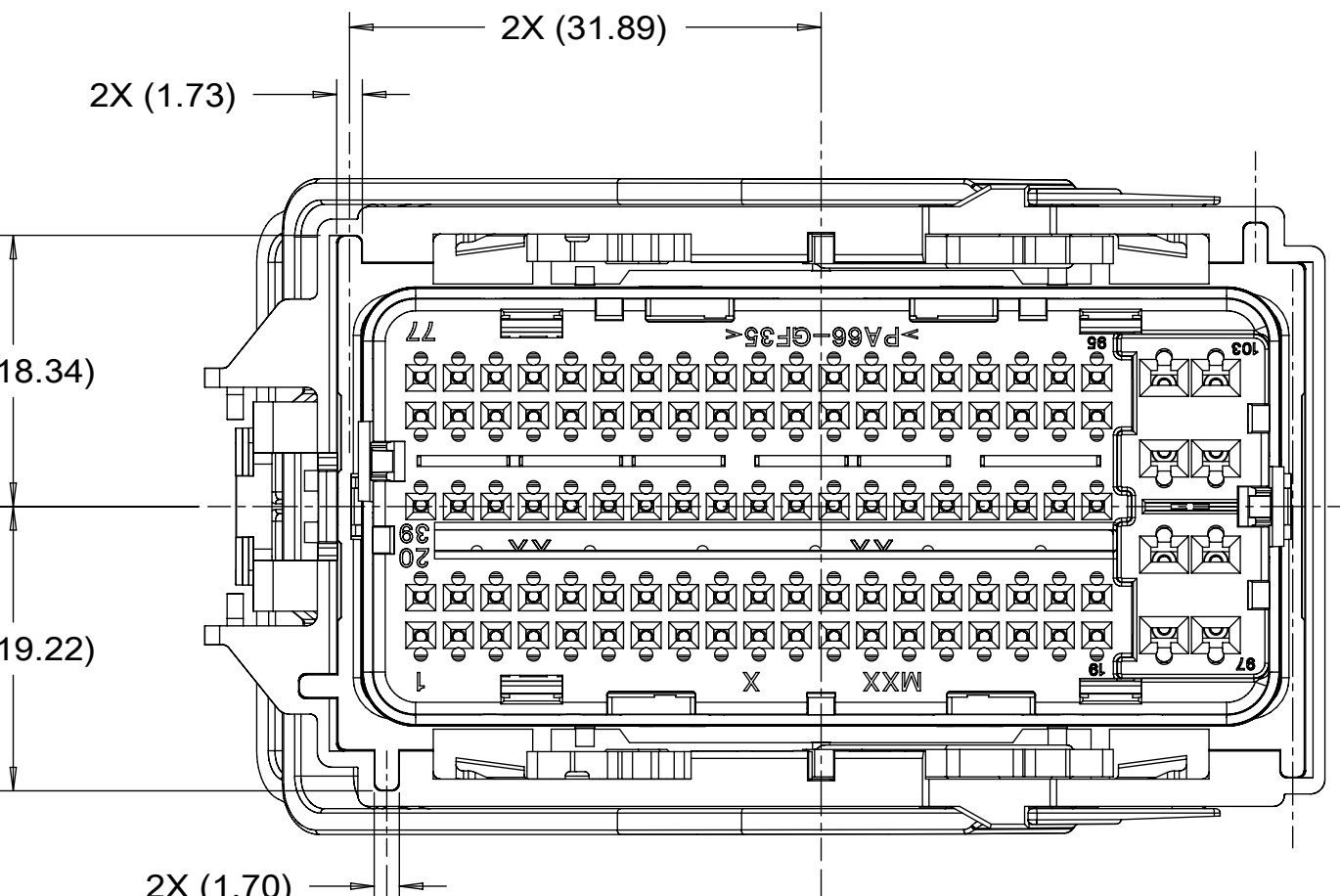
KEYWAY DEFINITION



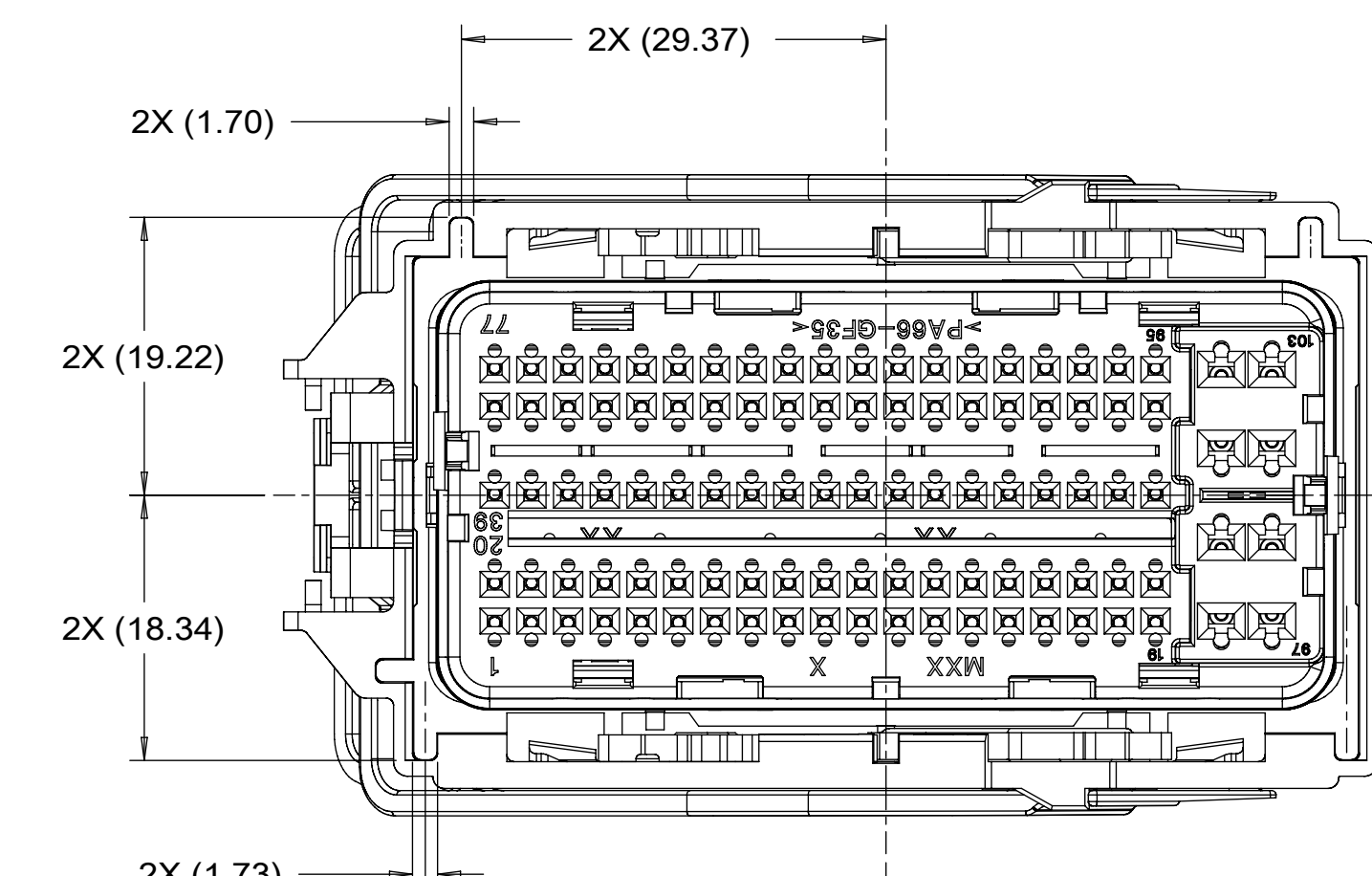
34993-0XXX (END LATCH LEVER)
34993-1XXX (TOP LATCH LEVER)
KEY OPTION 1



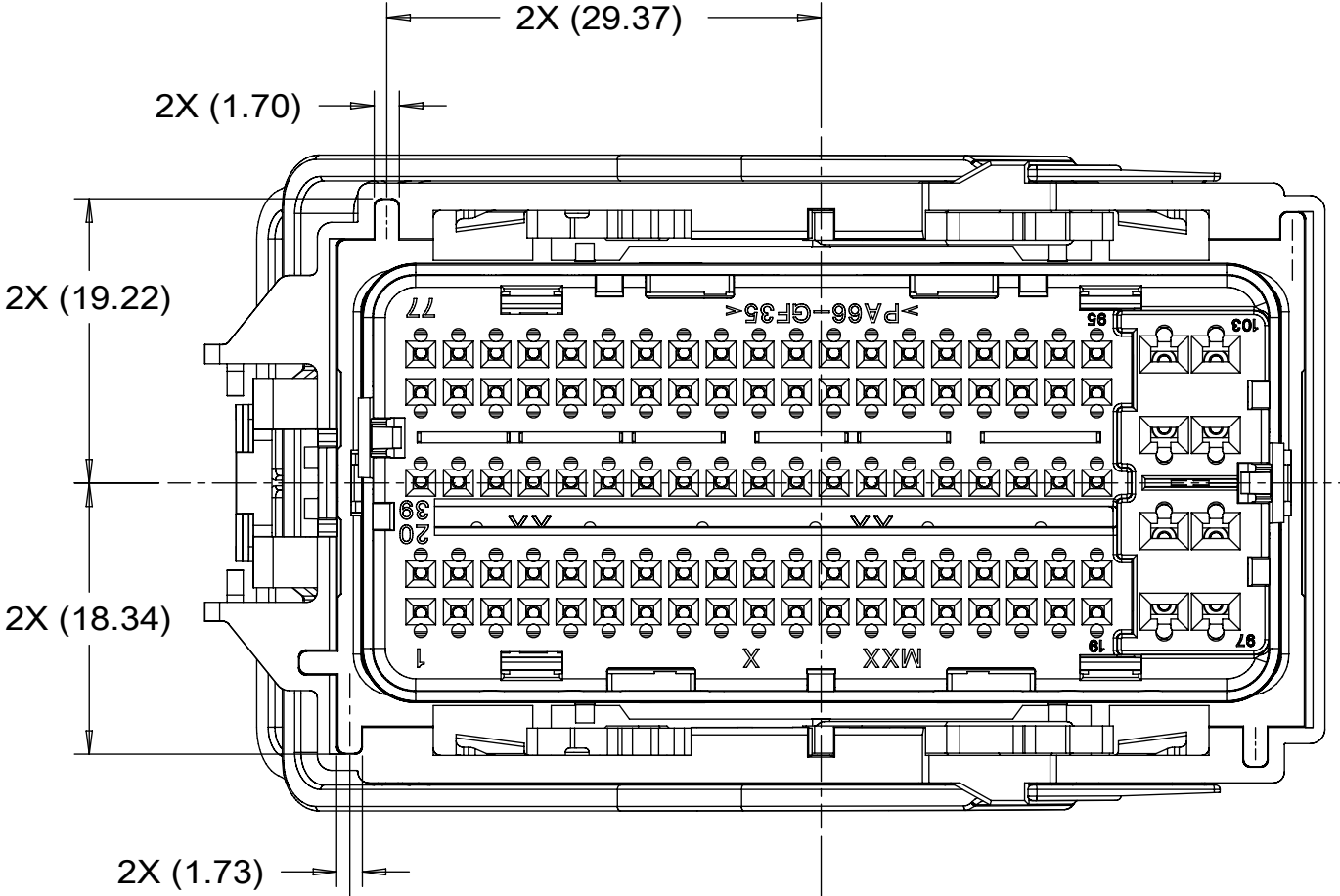
34993-6XXX (END LATCH LEVER)
34993-7XXX (TOP LATCH LEVER)
KEY OPTION 4



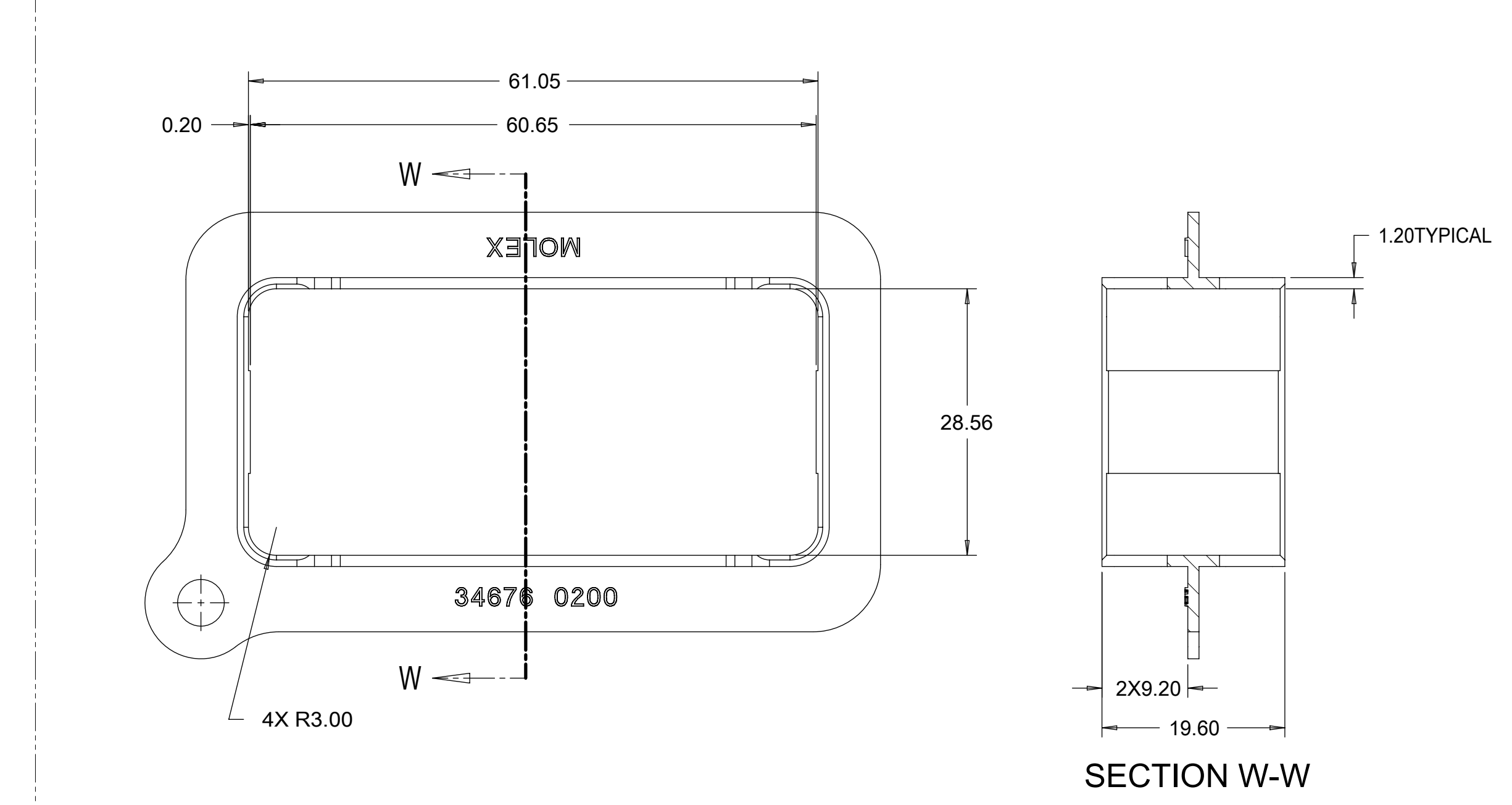
34993-2XXX (END LATCH LEVER)
34993-3XXX (TOP LATCH LEVER)
KEY OPTION 2



34993-8XXX (END LATCH LEVER)
34993-9XXX (TOP LATCH LEVER)
KEY OPTION 5

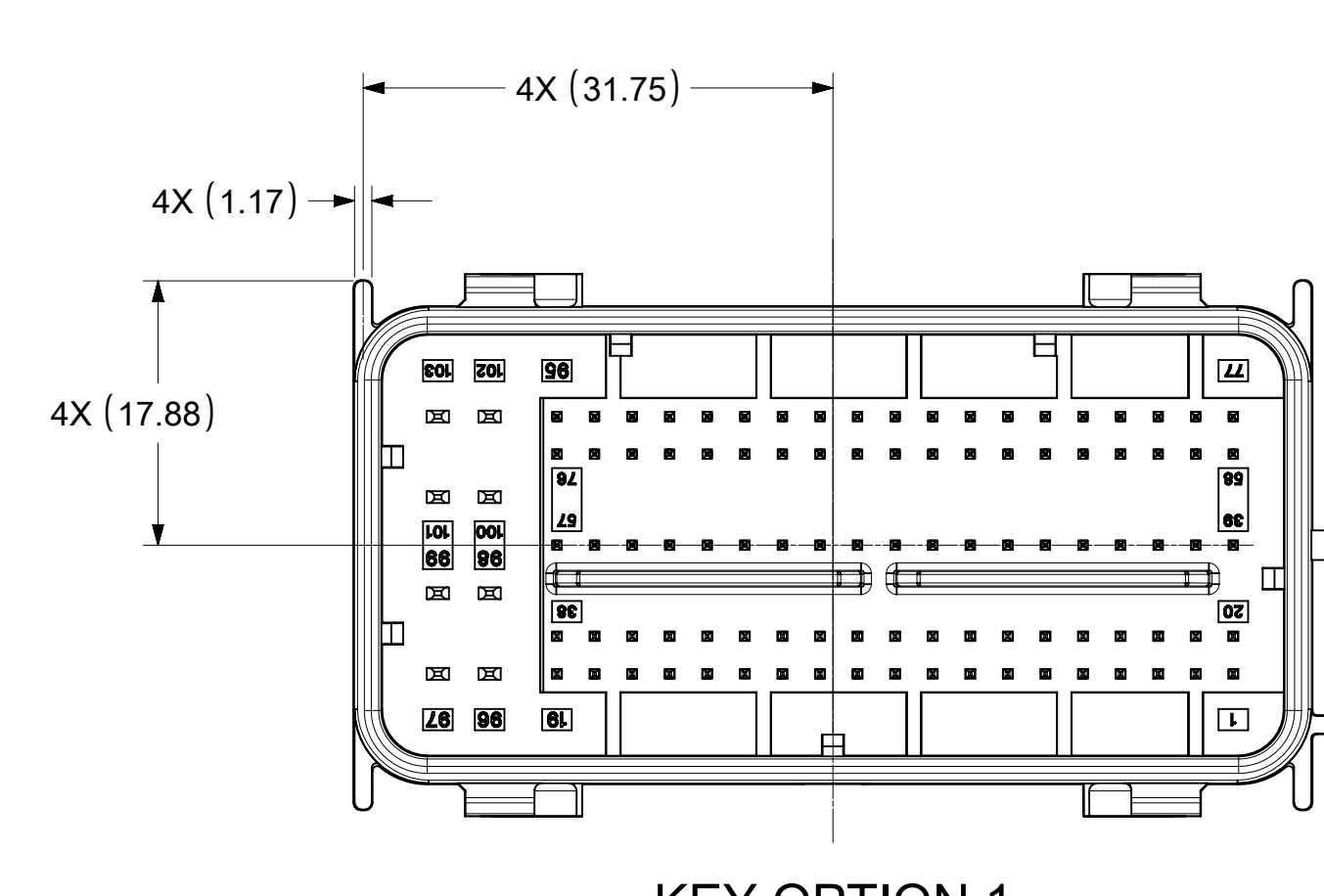


34993-4XXX (END LATCH LEVER)
34993-5XXX (TOP LATCH LEVER)
KEY OPTION 3

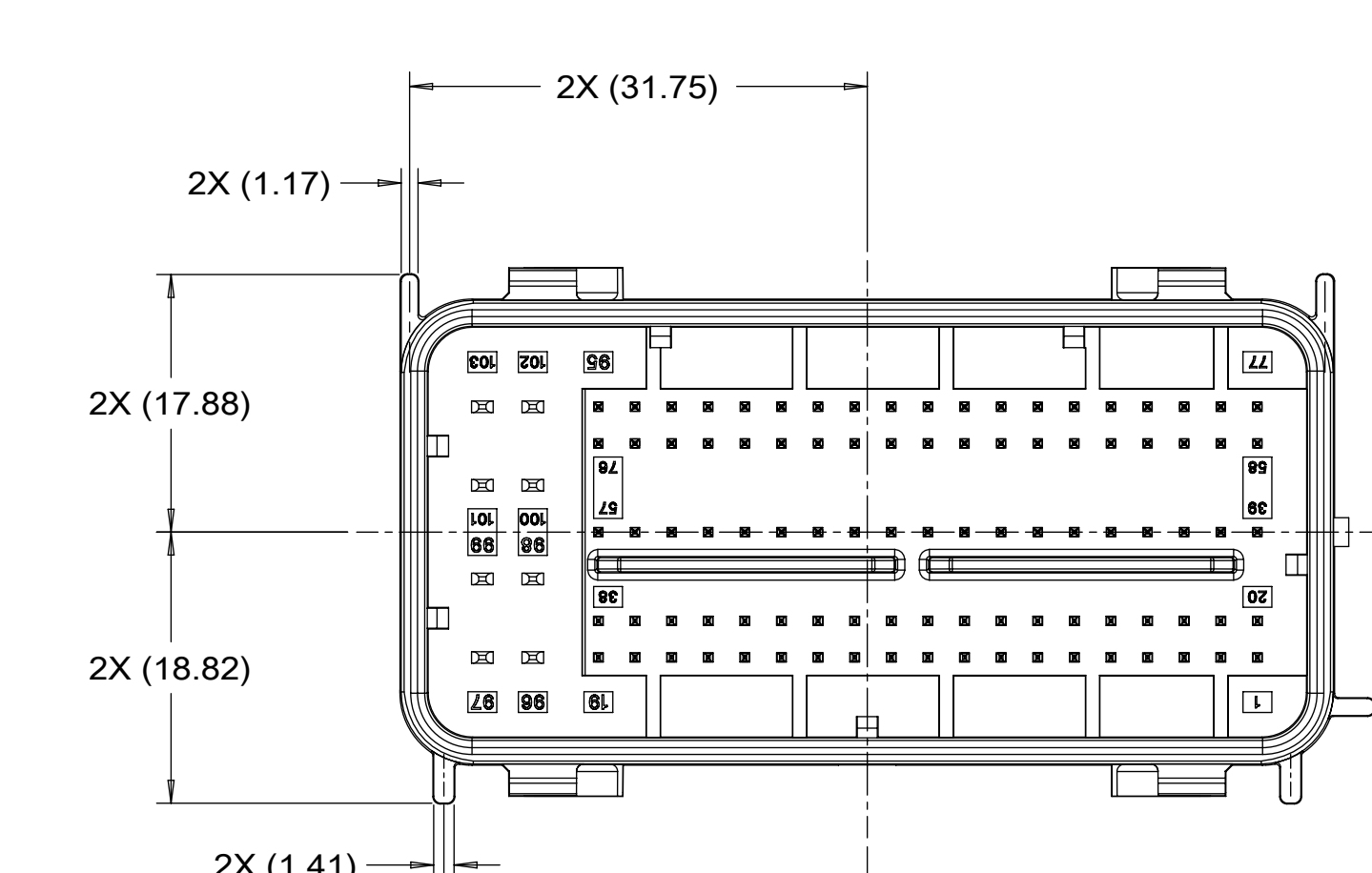


TPA SEATING TOOL

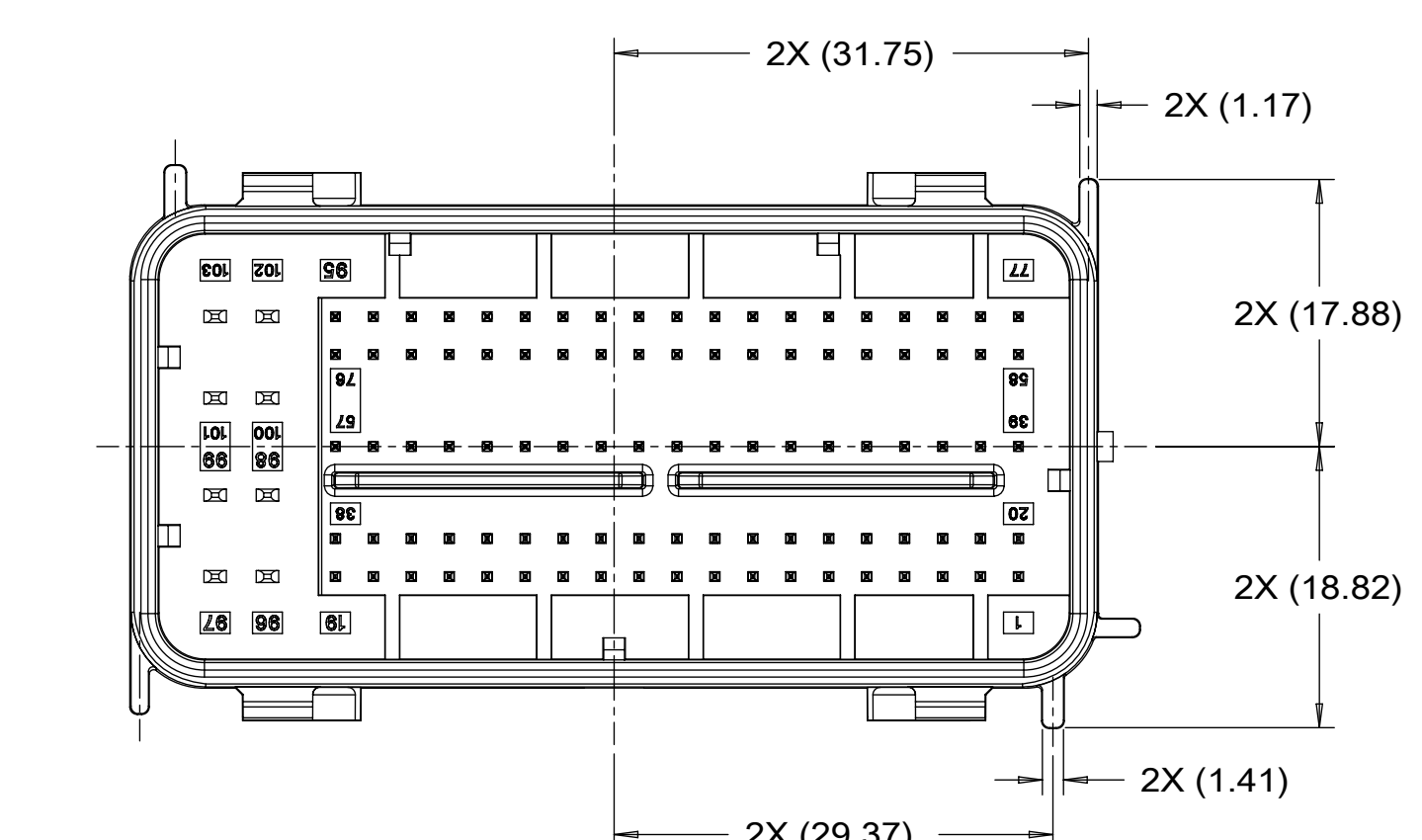
RECOMMENDED MATING INTERFACE



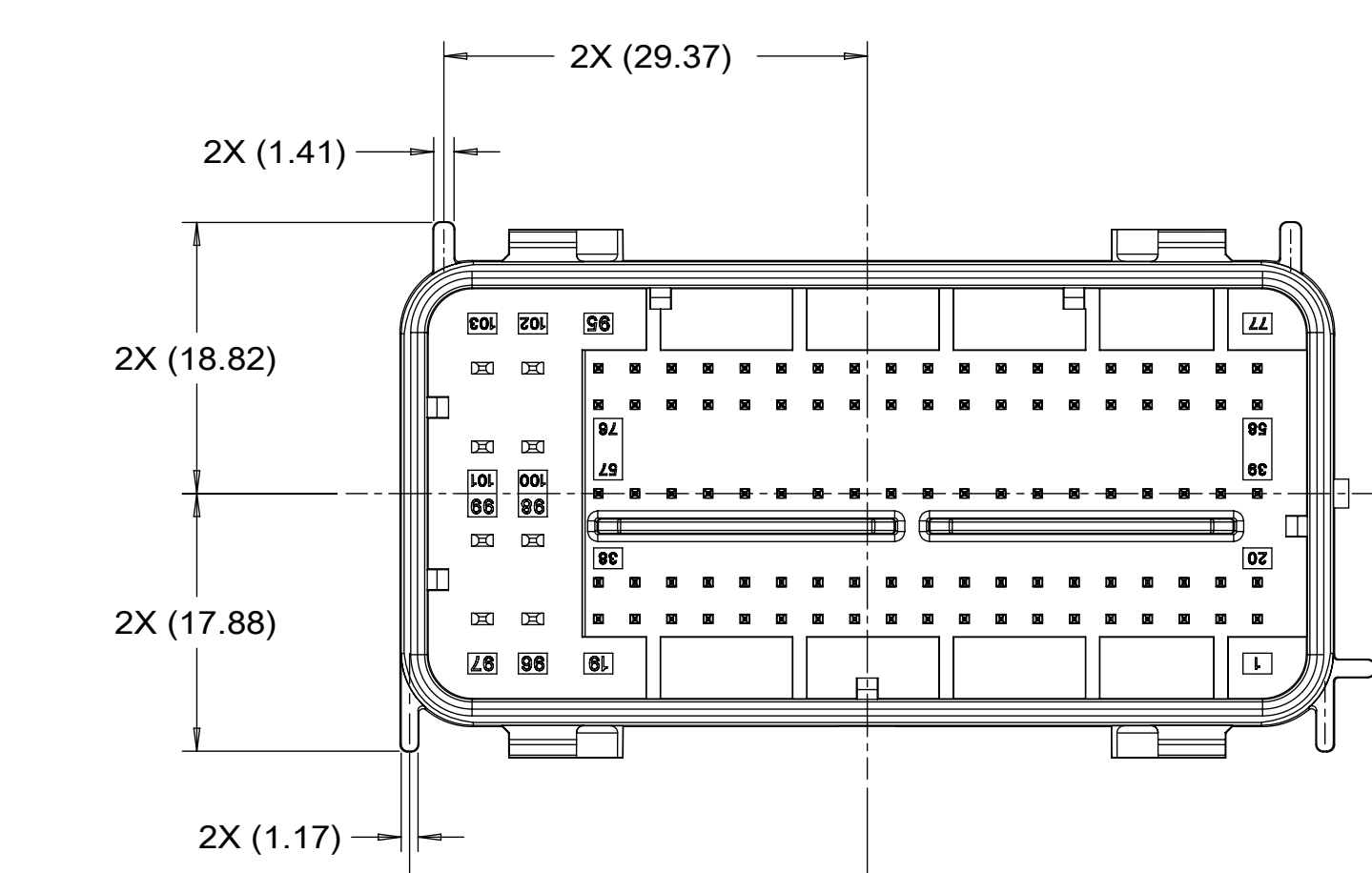
KEY OPTION 1



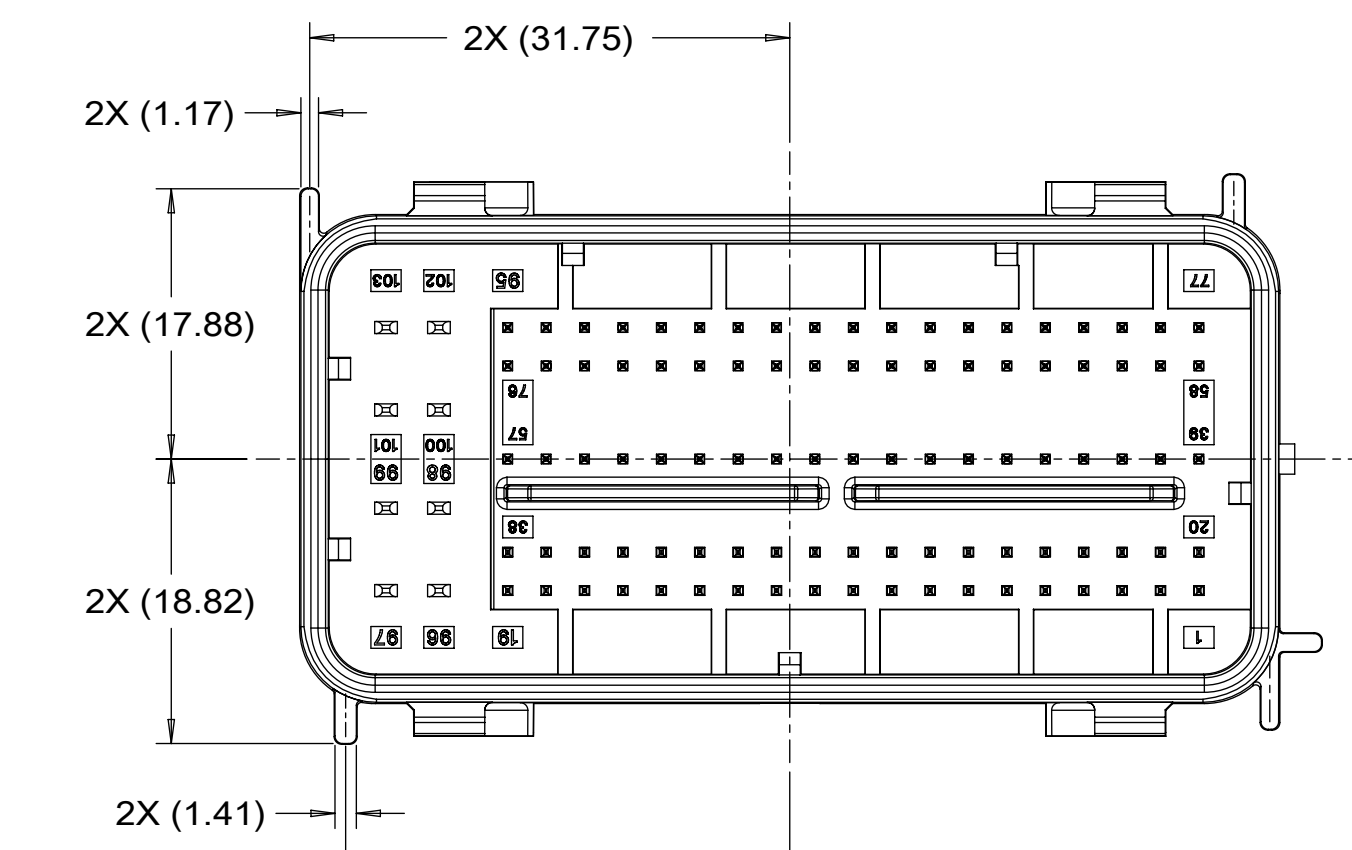
KEY OPTION 4



KEY OPTION 2



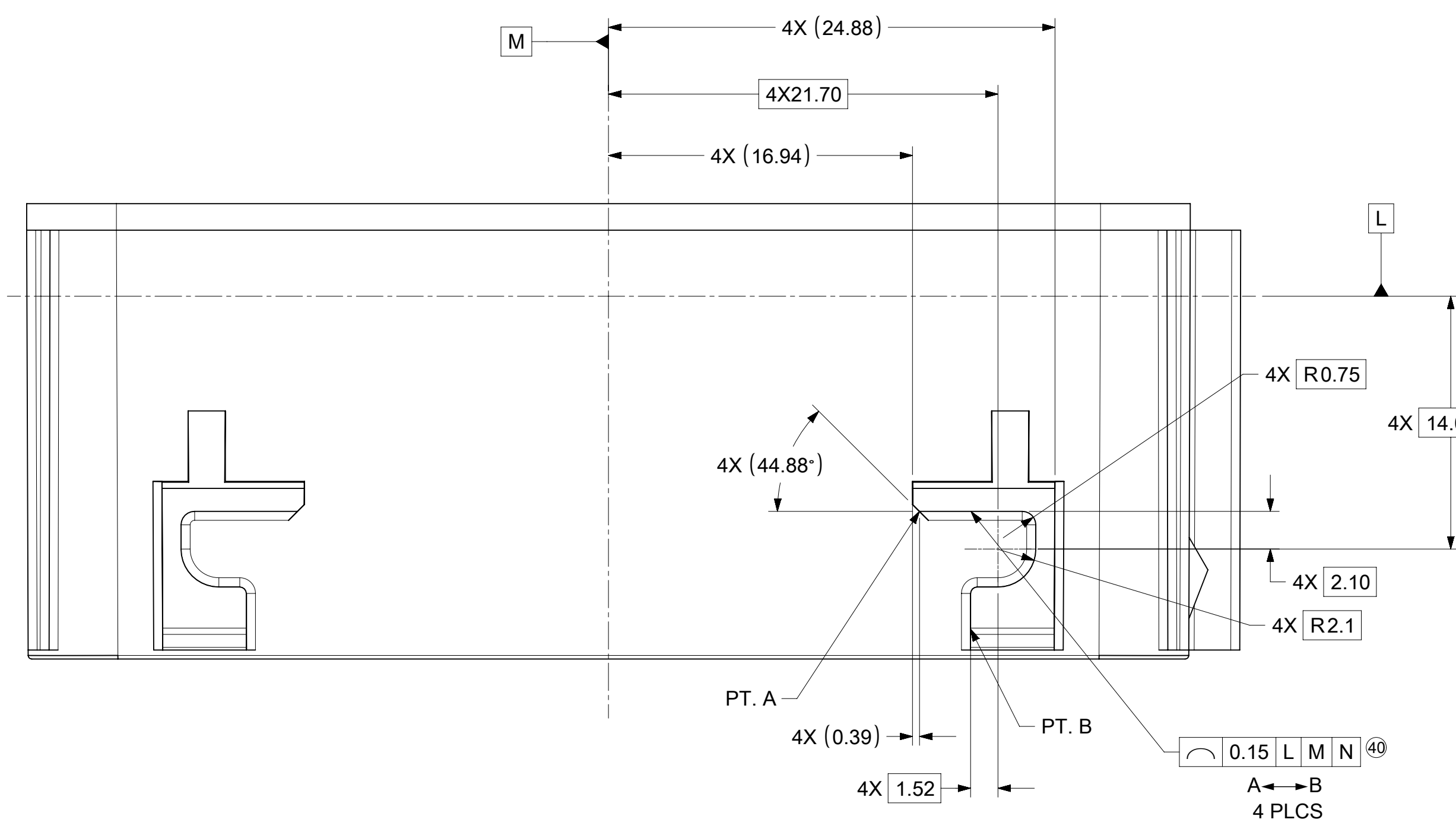
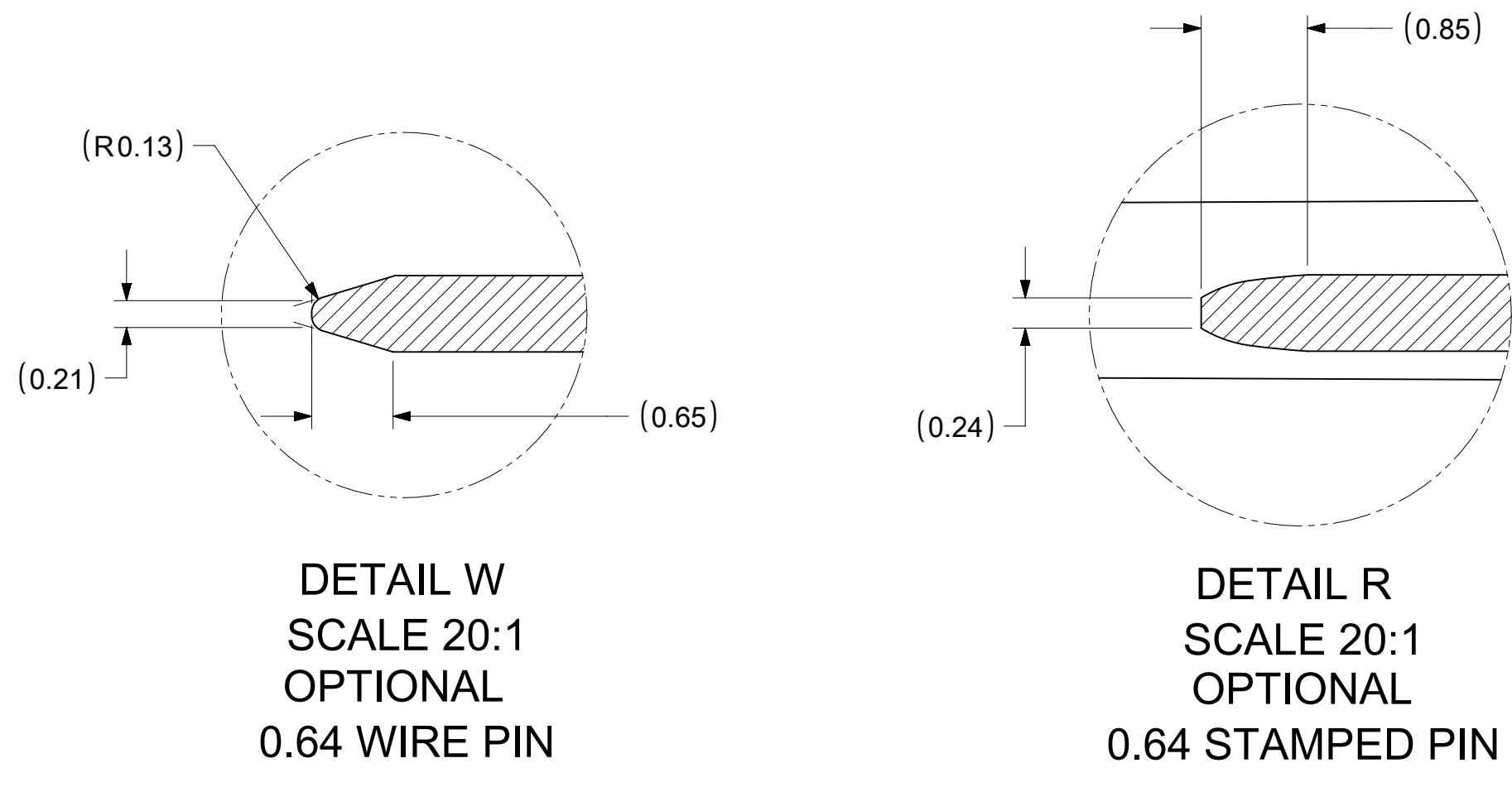
KEY OPTION 5



KEY OPTION 3

THIS DRAWING CONTAINS INFORMATION THAT IS PROPRIETARY TO MOLEX ELECTRONIC TECHNOLOGIES, LLC AND SHOULD NOT BE USED WITHOUT WRITTEN PERMISSION											
SYMBOLS		DIMENSION UNITS		SCALE		CURRENT REV DESC: NOTE AND TABLE UPDATED					
= 0		mm		2:1							
= 0		GENERAL TOLERANCES (UNLESS SPECIFIED)									
= 0		ANGULAR TOL ±				EC NO: 677806					
= 0		4 PLACES				DRWN: NBOHIDAR		2021/09/15		molex GPEC IV CONNECTOR ASSEMBLY 103 CIRCUIT	
= 0		3 PLACES				CHK'D: BDICK01		2021/09/28			
= 0		2 PLACES				APPR: BDICK01		2021/09/28			
= 0		1 PLACE				INITIAL REVISION:				PRODUCT CUSTOMER DRAWING	
= 0		0 PLACES				DRWN: NBOHIDAR		2018/09/01		DOCUMENT NUMBER	
= 0		DRAFT WHERE APPLICABLE MUST REMAIN WITHIN DIMENSIONS				APPR: APROFFITT		2018/09/07		349930001-SD	
		THIRD ANGLE PROJECTION		DRAWING		SERIES		MATERIAL NUMBER		CUSTOMER	
		E-SIZE		34993		CHARTED		GENERAL MARKET		SHEET NUMBER	
										2 OF 3	

RECOMMENDED MATING INTERFACE



NOTES FOR INTERFACE: UNLESS OTHERWISE SPECIFIED

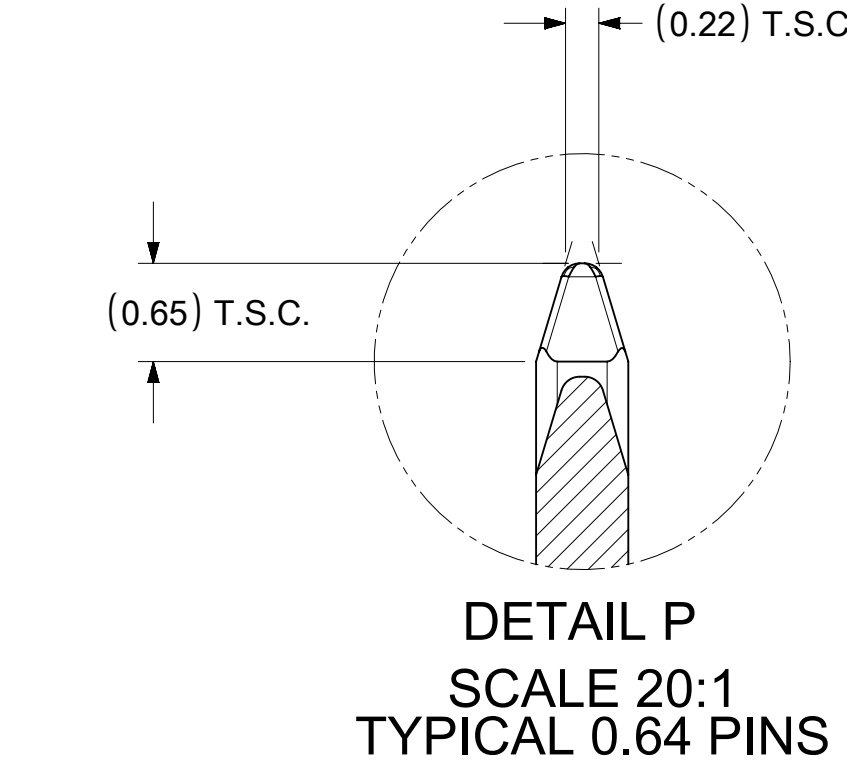
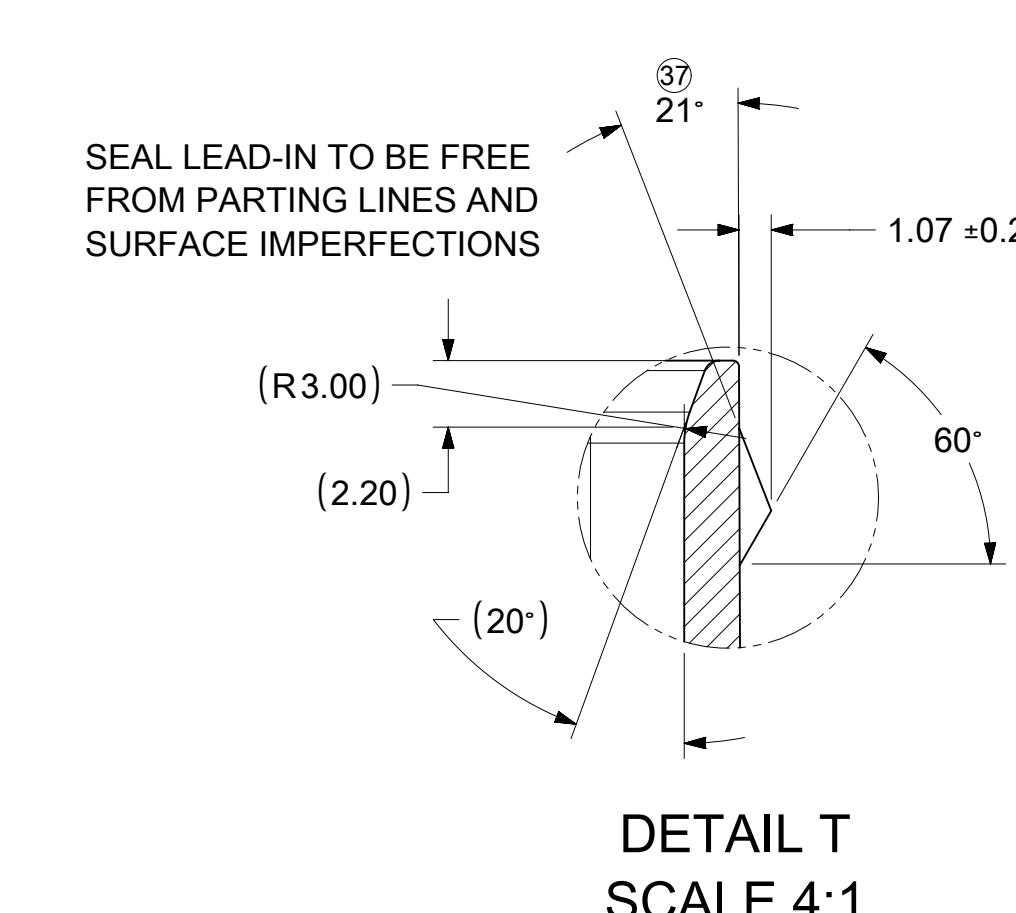
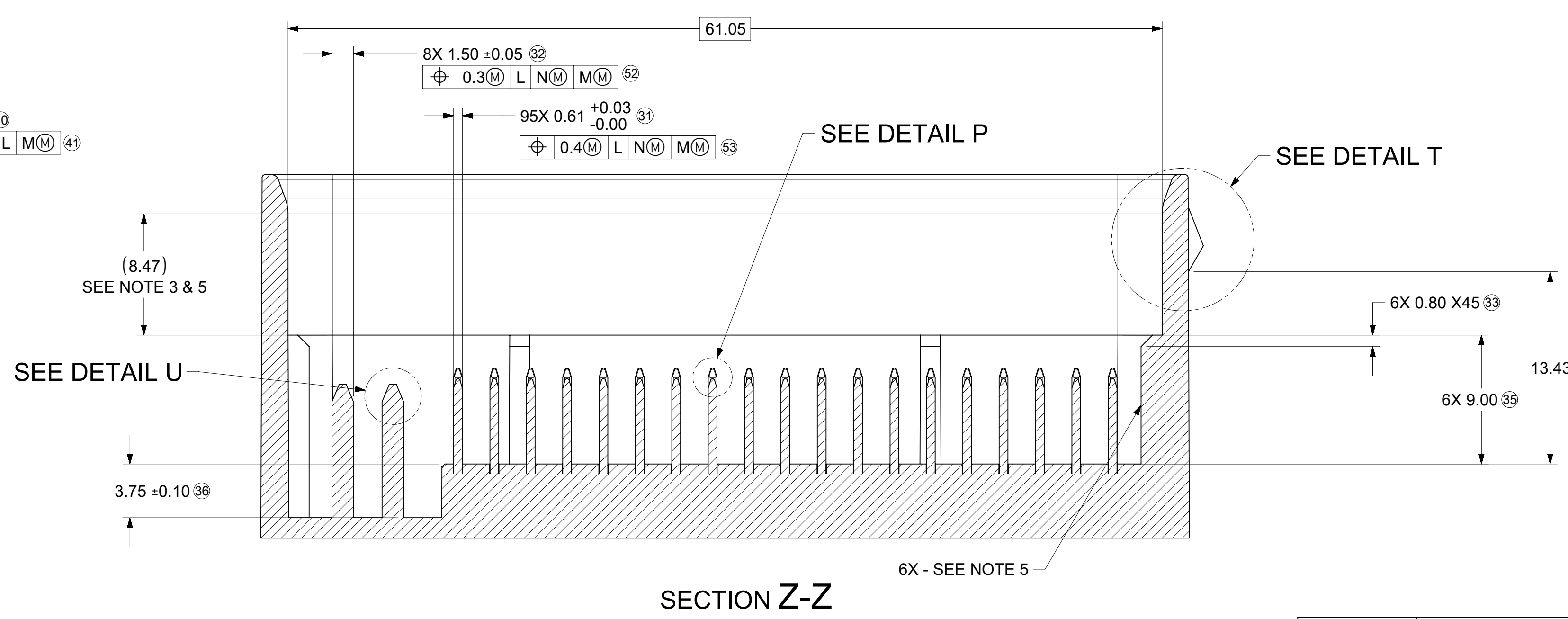
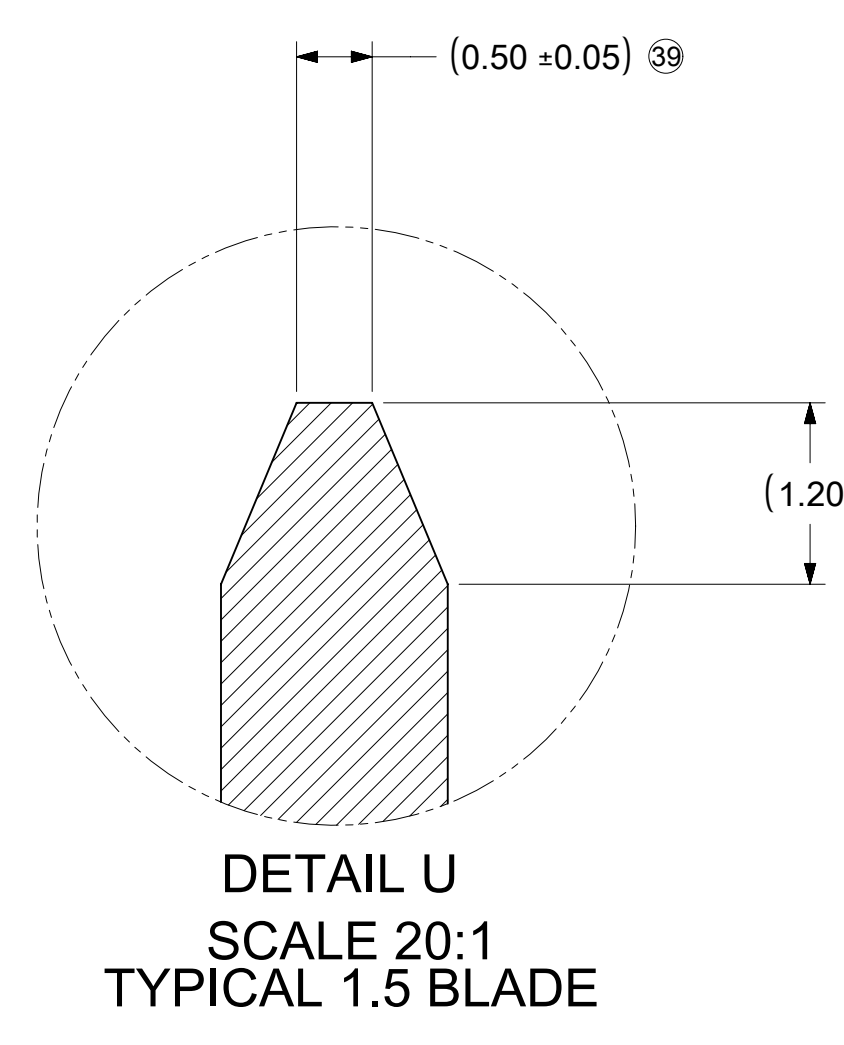
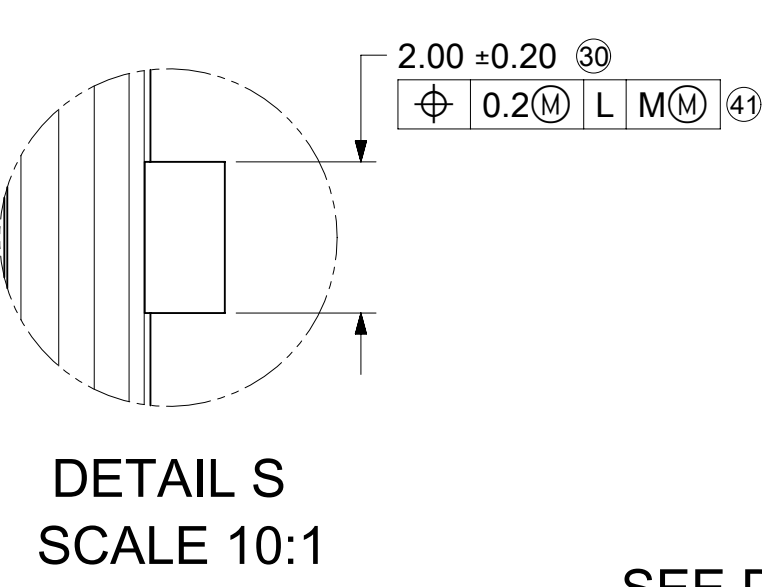
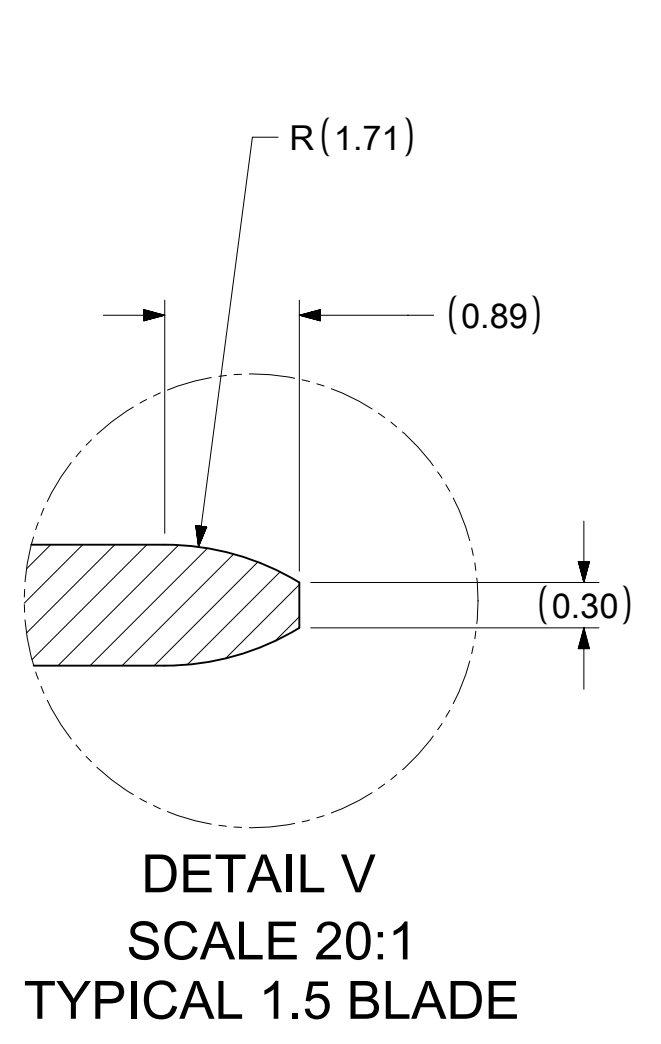
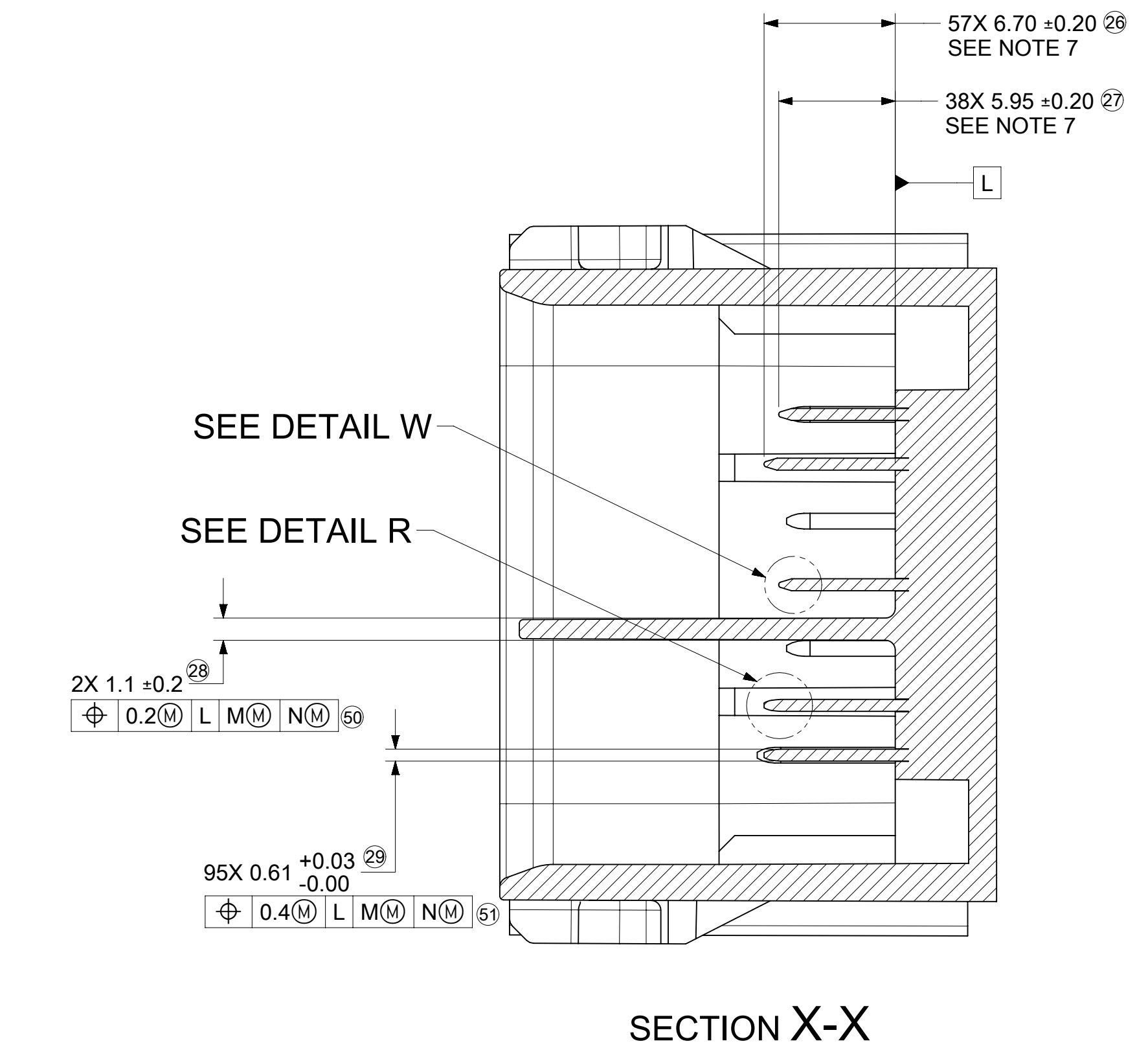
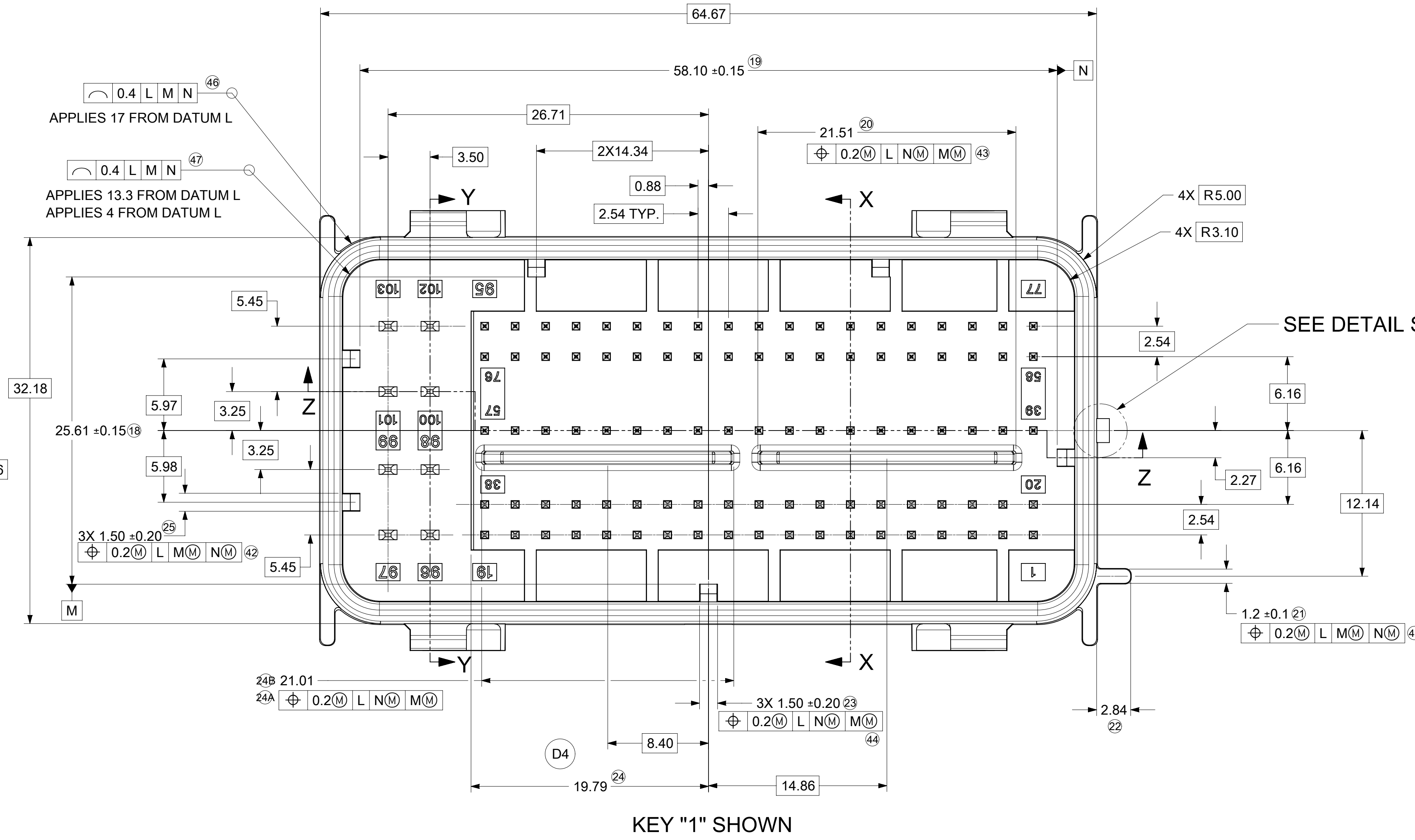
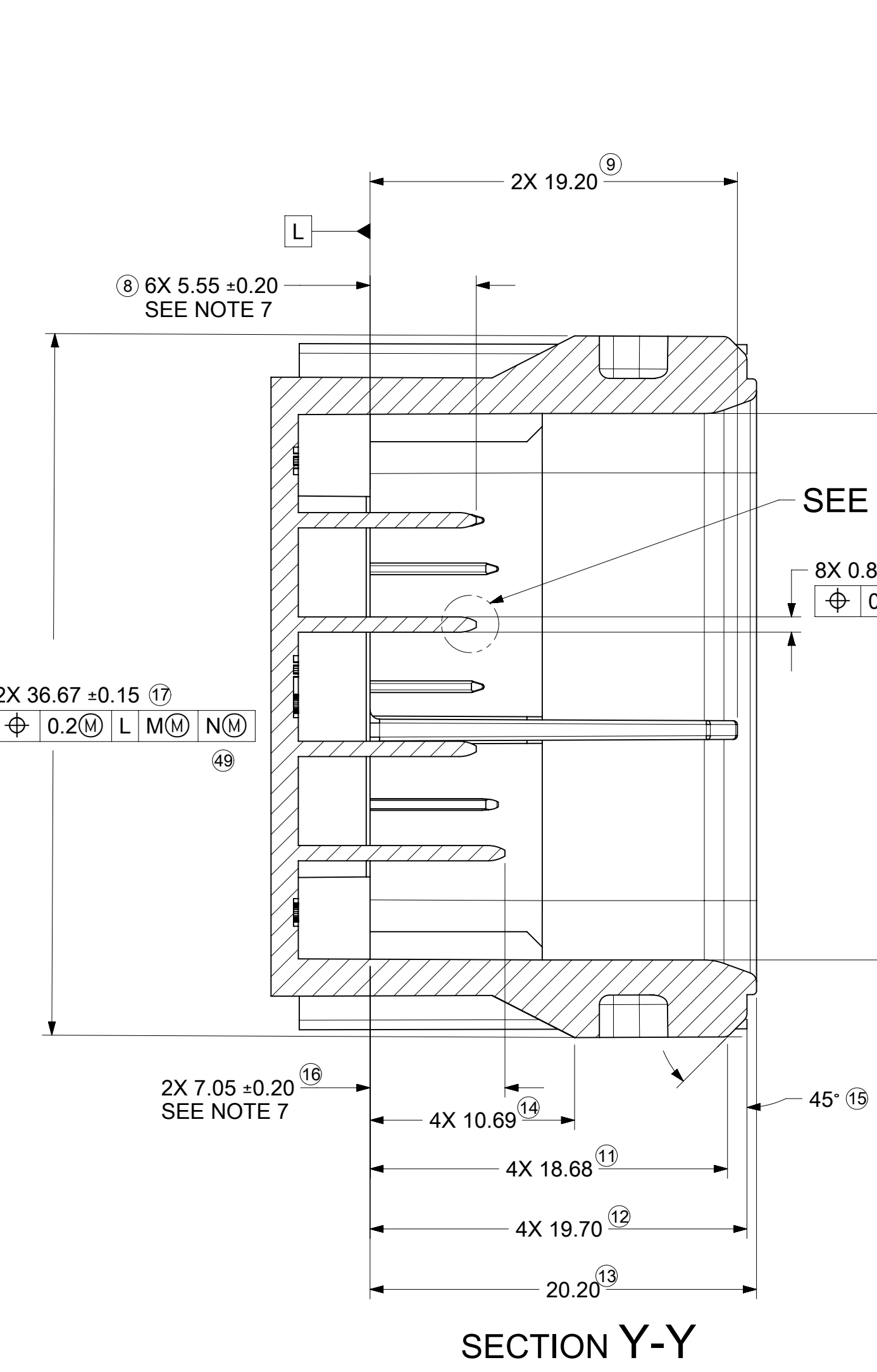
- GENERAL TOLERANCES:
LINEAR DIMENSIONS: +0.20
ANGULAR DIMENSIONS: ±3°
- DRAFT ANGLE PERMISSIBLE ONLY WITHIN DRAWING TOLERANCE.
- SEAL SURFACE: NO WITNESS LINES OR DAMAGE PERMITTED.
- ALL UNMARKED RADII TO BE 0.5 MAX. UNLESS OTHERWISE SPECIFIED.
- ZERO DRAFT AREA
- CONNECTION SYSTEM VALIDATED TO USCAR2, REVISION 5
- PIN ROW HEIGHTS ARE INTENTIONALLY OFFSET

POWER CONTACT PIN NOTES: (1.5 CIRCUITS)

- MATERIAL: Cu ALLOY
WITH TENSILE STRENGTH > 410 N/mm²
ELECTRICAL CONDUCTANCE > 16 Sm/mm²
(>28% IACS AT 20°C)
- BASE PLATING: 1.25-2.25µm Ni OVERALL.
- REFLOW TIN PLATING: 2.5-4.0µm OVERALL.
- CONTACT MUST BE FREE OF BURRS AND SHARP EDGES.
- PROCESS COMPONENTS IN A LOW-SULFUR ENVIRONMENT AND AVOID CONTACT WITH MATERIALS THAT TRANSFER SULFUR TO THE ENVIRONMENT.

SIGNAL CONTACT PIN NOTES: (0.64 CIRCUITS)

- MATERIAL: Cu ALLOY
WITH TENSILE STRENGTH > 410 N/mm²
ELECTRICAL CONDUCTANCE > 16 Sm/mm²
(>28% IACS AT 20°C)
- BASE PLATING: 1.25-2.5µm Ni OVERALL.
- SILVER PLATING: 2-4µm Ag WITH TARNISH RESISTANT TREATMENT APPLIED TO THE ENTIRE SILVER SURFACE.
- CONTACT MUST BE FREE OF BURRS AND SHARP EDGES.
- FOR SILVER PLATING: ELECTRICAL PERFORMANCE IS NOT AFFECTED BY GREY OR BLACK TARNISH ON THE SILVER PLATING SURFACE. ACCEPTABLE SILVER PIN SURFACES CAN INCLUDE GREY OR BLACK TARNISH.
- PROCESS COMPONENTS IN A LOW-SULFUR ENVIRONMENT AND AVOID CONTACT WITH MATERIALS THAT TRANSFER SULFUR TO THE ENVIRONMENT.



SYMBOLS	THIS DRAWING CONTAINS INFORMATION THAT IS PROPRIETARY TO MOLEX ELECTRONIC TECHNOLOGIES, LLC AND SHOULD NOT BE USED WITHOUT WRITTEN PERMISSION		CURRENT REV DESC: NOTE AND TABLE UPDATED		
	DIMENSION UNITS: mm SCALE: 2:1 GENERAL TOLERANCES (UNLESS SPECIFIED): ANGULAR TOL: ± 4 PLACES: ± 3 PLACES: ± 2 PLACES: ± 1 PLACE: ± 0 PLACES: ± DRAFT WHERE APPLICABLE MUST REMAIN WITHIN DIMENSIONS	EC NO: 677806 DRWN: NBOHIDAR CHK'D: BDICK01 APPR: BDICK01 INITIAL REVISION: DRWN: NBOHIDAR APPR: APROFFITT	2021/09/15 2021/09/28 2021/09/28 2018/09/01 2018/09/07	PRODUCT CUSTOMER DRAWING GPEC IV CONNECTOR ASSEMBLY 103 CIRCUIT DOCUMENT NUMBER: 349930001-SD DOC TYPE: PSD DOC PART: 000 REVISION: A8	
	THIRD ANGLE PROJECTION 	DRAWING: E-SIZE SERIES: 34993	MATERIAL NUMBER: CHARTED CUSTOMER: GENERAL MARKET	SHEET NUMBER: 3 OF 3	

BOM AND PIN OUT SHEET

ASSEMBLY DESCRIPTION	ASSEMBLY PART NUMBER	COMPONENT							BLOCKED TERMINALS																			STATUS	COMMENTS	
		THE PRESENCE OF AN ABBREVIATION INDICATES THE PRESENCE OF THAT COMPONENT.							CAVITY WITH A NUMBER INDICATES BLOCKED TERMINAL POSITION CAVITY WITHOUT A NUMBER INDICATES OPEN TERMINAL POSITION																					
		OUTER HOUSING KEY/COLOR	INNER HOUSING	PLR	LEVER	LEVER ARM (x/2)	MAT SEAL	RING SEAL																						
GPEC RCPT CONN 103 CKT END LVRKEY 4/53	349936004	4-BLACK	IH	PLR	LE	LA	M	R	-	2	3	4	-	-	7	-	-	-	-	12	-	-	-	-	-	18	19	-	-	
									20	21	22	23	-	-	-	-	-	-	30	-	32	-	34	-	-	-	37	38	-	-
									-	-	-	-	43	44	45	-	-	-	-	50	-	-	53	54	-	56	-	-	-	
									-	59	60	-	-	-	-	-	-	-	68	69	-	-	72	73	-	75	76	-	-	
									77	78	79	80	81	82	83	84	85	86	87	88	89	90	91	92	93	94	95	-	-	
GPEC RCPT CONN 103 CKT END LVRKEY 4/51	349936005	4-BLACK	IH	PLR	LE	LA	M	R	-	2	3	4	-	-	7	-	-	-	-	12	-	-	-	-	-	18	19	-	-	
									20	21	22	23	-	-	-	-	-	-	30	-	32	-	34	-	-	-	37	38	-	-
									-	-	-	-	43	44	45	-	-	-	-	50	-	-	53	54	-	56	-	-	-	
									-	59	60	-	-	-	-	-	-	-	68	69	70	71	72	73	-	75	76	-	-	
									77	78	79	80	81	82	83	84	85	86	87	88	89	90	91	92	93	94	95	-	-	
GPEC RCPT CONN 103 CKT END LVRKEY 4/52	349936006	4-BLACK	IH	PLR	LE	LA	M	R	-	2	3	4	-	-	7	-	-	-	-	12	-	-	-	-	-	18	19	-	-	
									20	21	22	23	-	-	-	-	-	-	30	-	32	-	34	35	-	37	38	-	-	
									-	-	-	-	43	44	45	-	-	-	-	50	-	-	53	54	-	56	-	-	-	
									-	59	60	-	-	-	-	-	-	-	68	69	-	-	72	73	-	75	76	-	-	
									77	78	79	80	81	82	83	84	85	86	87	88	89	90	91	92	93	94	95	-	-	
GPEC RCPT CONN 103 CKT END LVRKEY 4/50	349936007	4-BLACK	IH	PLR	LE	LA	M	R	-	2	3	4	-	-	7	-	-	-	-	12	-	-	-	-	-	18	19	-	-	
									20	21	22	23	-	-	-	-	-	-	30	-	32	-	34	35	-	37	38	-	-	
									-	-	-	-	43	44	45	-	-	-	-	50	-	-	53	54	-	56	-	-	-	
									-	59	60	-	-	-	-	-	-	-	68	69	70	71	72	73	-	75	76	-	-	
									77	78	79	80	81	82	83	84	85	86	87	88	89	90	91	92	93	94	95	-	-	
GPEC RCPT CONN 103 CKT END LVRKEY 4/102	349936008	4-BLACK	IH	PLR	LE	LA	M	R	-	-	-	-	-	-	-	-	-	-	-	-	-	-	-	-	-	-	-	-		
									-	-	-	-	-	-	-	-	-	-	-	-	-	-	-	-	-	-	-	-	-	
									-	-	-	-	-	-	-	-	-	-	-	-	-	-	-	-	-	-	-	-	-	
									-	-	-	-	-	-	-	-	-	-	-	-	-	-	-	-	-	-	-	-	-	
									-	-	-	-	-	-	-	-	-	-	-	-	-	-	-	-	-	-	95	-	-	
GPEC RCPT CONN 103 CKT END LVRKEY 4/84	349936009	4-BLACK	IH	PLR	LE	LA	M	R	-	-	-	-	-	-	-	-	-	-	-	-	-	-	-	-	-	-	-	-		
									-	-	-	-	-	-	-	-	-	-	-	-	-	-	-	-	-	-	-	-	-	
									-	-	-	-	-	-	-	-	-	-	-	-	-	-	-	-	-	-	-	-	-	
									-	-	-	-	-	-	-	-	-	-	-	-	-	-	-	-	-	-	-	-	-	
									77	78	79	80	81	82	83	84	85	86	87	88	89	90	91	92	93	94	95	-	-	
GPEC RCPT CONN 103 CKT END LVRKEY 4/49	349936010	4-BLACK	IH	PLR	LE	LA	M	R	-	-	3	4	5	-	7	-	-	-	11	12	-	-	-	-	17	18	19	-	-	
									20	-	-	23	-	-	-	-	-	-	30	-	32	33	34	35	36	37	38	-	-	
									-	-	-	-	43	44	45	-	-	-	-	50	-	-	53	54	-	-	-	-	-	
									-	-	60	-	-	-	-	-	66	-	68	69	70	71	72	73	-	75	76	-	-	
									77	78	79	80	81	82	83	84	85	86	87	88	89	90	91	92	93	94	95	-	-	
GPEC RCPT CONN 103 CKT END LVRKEY 4/51	349936011	4-BLACK	IH	PLR	LE	LA	M	R	-	-	3	4	-	-	7	-	-	10	11	12	-	-	-	-	17	18	19	-	-	
									20	-	-	23	-	25	-	-	-	-	30	-	32	33	34	35	36	37	38	-	-	
									-	-	-	-	43	44	45	-	47	-	-	-	-	52	53	54	-	-	-	-	-	
									-	-	60	-	-	-	-	-	-	-	68	69	-	-	72	-	-	75	76	-	-	
									77	78	79	80	81	82	83	84	85	86	87	88	89	90	91	92	93	94	95	-	-	
GPEC RCPT CONN 103 CKT END LVRKEY 4/16	349936012	4-BLACK	IH	PLR	LE	LA	M	R	1	2	3	4	5	6	7	8	9	10	11	12	13	14	15	16	17	18	19	-	-	
									20	21	22	23	24	25	26	27	28	29	30	31	32	33	34	35	36	37	38	-	-	
									39	40	41	42	43	-	45	-	47	48	49	50	51	-	53	54	55	56	57	-	-	
									58	59	60	61	62	-	-	-	66	-	-	-	-	71	-	-	74	75	76	100	101	
									77	78	79	80	81	82	83	84	85	86	87	88	89	90	91	92	93	94	95	102	103	
GPEC RCPT CONN 103 CKT TOP LVRKEY 4/103	349937001	4-BLACK	IH	PLR	LT	LA	M	R	-	-	-	-	-	-	-	-	-	-	-	-	-	-	-	-	-	-	-	-		
									-	-	-	-	-	-	-	-	-	-	-	-	-	-	-	-	-	-	-	-	-	
									-	-	-	-	-	-	-	-	-	-	-	-	-	-	-	-	-	-	-	-	-	
									-	-	-	-	-	-	-	-	-	-	-	-	-	-	-	-	-	-	-	-	-	
									-	-	-	-	-	-	-	-	-	-	-	-	-	-	-	-	-	-	-	-	-	

BOM AND PIN OUT SHEET

ASSEMBLY DESCRIPTION	ASSEMBLY PART NUMBER	COMPONENT							BLOCKED TERMINALS														STATUS	COMMENTS						
		THE PRESENCE OF AN ABBREVIATION INDICATES THE PRESENCE OF THAT COMPONENT.							CAVITY WITH A NUMBER INDICATES BLOCKED TERMINAL POSITION CAVITY WITHOUT A NUMBER INDICATES OPEN TERMINAL POSITION																					
		OUTER HOUSING KEY/COLOR	INNER HOUSING	PLR	LEVER	LEVER ARM (x/2)	MAT SEAL	RING SEAL																						
GPEC RCPT CONN 103 CKT END LVRKEY 5/61	349938016	5-BLACK	IH	PLR	LE	LA	M	R	1	-	-	-	5	-	-	-	-	-	-	-	-	-	-	16	-	-	19	-	-	
									20	-	22	23	24	-	-	-	-	-	30	-	32	-	-	35	-	37	38	-	-	
									-	-	-	-	-	44	45	-	-	-	-	-	-	52	53	-	55	56	57	-	-	
									-	-	-	-	-	-	-	-	-	-	-	-	-	-	-	73	74	75	-	-	-	
									77	78	79	80	81	82	83	84	85	86	87	88	89	90	91	92	93	94	95	-	-	
GPEC RCPT CONN 103 CKT END LVRKEY 5/61	349938017	5-BLACK	IH	PLR	LE	LA	M	R	1	2	-	4	-	-	-	-	-	-	11	-	-	-	-	16	-	-	19	-	-	
									-	-	22	-	24	-	26	-	-	29	-	-	32	-	-	35	36	-	38	-	-	
									-	-	-	-	43	-	-	-	-	-	-	-	-	52	53	-	55	56	57	-	-	
									58	-	60	-	-	-	-	-	-	-	-	-	-	-	-	73	74	75	-	-	-	
									77	78	-	-	81	82	83	84	85	86	87	88	89	90	91	92	93	94	95	-	-	
GPEC RCPT CONN 103 CKT END LVRKEY 5/48	349938018	5-BLACK	IH	PLR	LE	LA	M	R	1	-	3	4	5	-	7	-	9	10	-	-	-	-	16	17	-	-	-	-		
									20	21	22	23	24	25	26	27	-	-	-	-	32	33	34	35	36	-	38	-	-	
									-	-	-	-	-	44	45	-	47	-	-	-	-	52	53	54	-	-	-	-	-	
									-	-	-	-	-	-	-	-	-	-	68	69	70	71	72	-	74	75	76	-	-	
									77	78	79	80	81	82	83	84	85	86	87	88	89	-	91	92	93	94	95	-	-	
GPEC RCPT CONN 103 CKT END LVRKEY 5/61	349938019	5-BLACK	IH	PLR	LE	LA	M	R	1	2	3	-	-	-	-	-	-	-	12	-	-	-	-	-	-	-	-	-		
									20	21	-	-	-	-	26	27	-	-	-	-	32	-	34	35	36	-	38	-	-	
									-	-	-	-	-	44	45	-	-	-	-	-	-	52	53	54	-	-	57	-	-	
									-	-	60	-	-	-	-	-	-	-	-	-	-	-	-	73	74	75	76	-	-	
									77	78	79	80	81	82	83	84	85	86	87	88	89	90	-	92	93	94	95	-	-	
GPEC RCPT CONN 103 CKT END LVRKEY 5/102	349938020	5-BLACK	IH	PLR	LE	LA	M	R	-	-	-	-	-	-	-	-	-	-	-	-	-	-	-	-	-	-	-	-		
									-	-	-	-	-	-	-	-	-	-	-	-	-	-	-	-	-	-	-	-	-	
									-	-	-	-	-	-	-	-	-	-	-	-	-	-	-	-	-	-	-	-	-	-
									-	-	-	-	-	-	-	-	-	-	-	-	-	-	-	-	-	-	-	-	-	-
									-	-	-	-	-	-	-	-	-	-	-	-	-	-	-	-	-	-	-	-		
GPEC RCPT CONN 103 CKT END LVRKEY 5/61	349938021	5-BLACK	IH	PLR	LE	LA	M	R	1	2	-	4	-	-	-	-	-	-	-	-	-	-	-	-	-	19	-	-		
									-	-	22	-	-	-	26	-	-	29	30	-	32	-	-	35	-	37	38	-	-	
									-	-	-	-	43	44	45	-	-	-	-	-	-	52	53	-	55	56	57	-	-	
									-	-	60	-	-	-	-	-	-	-	-	-	-	-	-	73	74	75	76	-	-	
									77	78	79	80	81	82	83	84	85	86	87	88	89	90	-	-	93	94	95	-	-	
GPEC RCPT CONN 103 CKT END LVRKEY 5/74	349938022	5-BLACK	IH	PLR	LE	LA	M	R	-	-	3	-	-	-	-	-	-	-	-	-	-	-	-	-	-	-	-	-		
									-	-	-	23	-	-	26	-	-	-	-	-	-	-	35	-	37	38	-	-		
									-	-	-	-	43	-	-	-	-	-	-	-	50	-	-	54	-	56	-	-		
									-	-	-	-	-	-	-	-	-	-	-	-	-	-	72	73	74	75	-	-		
									77	78	-	-	81	82	83	84	85	86	87	88	89	90	-	-	93	94	95	-	-	
GPEC RCPT CONN 103 CKT END LVRKEY 5/48	349938023	5-BLACK	IH	PLR	LE	LA	M	R	1	2	3	4	5	-	7	-	9	-	11	-	-	-	-	16	17	18	19	-	-	
									20	21	22	23	24	25	-	27	-	-	30	-	32	-	34	35	36	37	38	-	-	
									-	-	-	-	-	44	45	-	-	-	-	-	-	52	53	-	55	56	57	-	-	
									-	-	-	-	-	-	-	-	-	-	-	-	-	-	-	73	74	75	-	-	-	
									77	78	79	80	81	82	83	84	85	86	87	88	89	90	91	92	93	94	95	-	-	
GPEC RCPT CONN 103 CKT END LVRKEY 5/50	349938024	5-BLACK	IH	PLR	LE	LA	M	R	1	-	3	4	5	-	7	-	9	-	11	-	-	-	-	16	17	18	19	-	-	
									20	21	22	23	24	25	-	27	-	-	30	-	32	-	34	35	36	37	38	-	-	
									-	-	-	-	-	44	45	-	-	-	-	-	-	52	53	-	55	56	-	-		
									-	-	-	-	-	-	-	-	-	-	-	-	-	-	-	73	74	75	-	-	-	
									77	78	79	80	81	82	83	84	85	86	87	88	89	90	91	92	93	94	95	-	-	
GPEC RCPT CONN 103 CKT END LVRKEY 5/65	349938025	5-BLACK	IH	PLR	LE	LA	M	R	1	2	3	4	-	-	-	-	-	-	11	-	-	-	-	-	-	-	-	-		
									-	-	22	-	24	-	26	-	-	29	-	-	32	-	-	35	36	-	38	-	-	
									-	-	-	-	43	-	-	-	-	-	-	-	-	-	-	53	-	55	56	57	-	-
									-	-	60	-	-	-	-	-	-	-	-	-	-	-	-	73	74	75	-	-	-	
									77	78	-	-	-	82	83	84	85	86	87	88	89	90	-	92	93	94	95	-	-	

