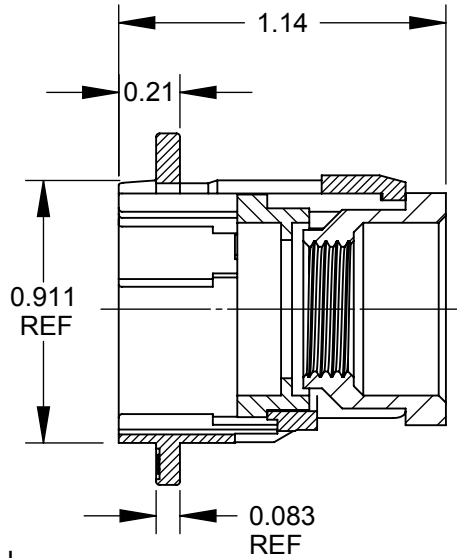
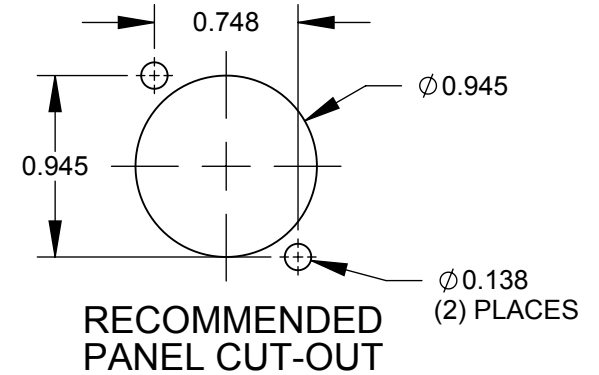
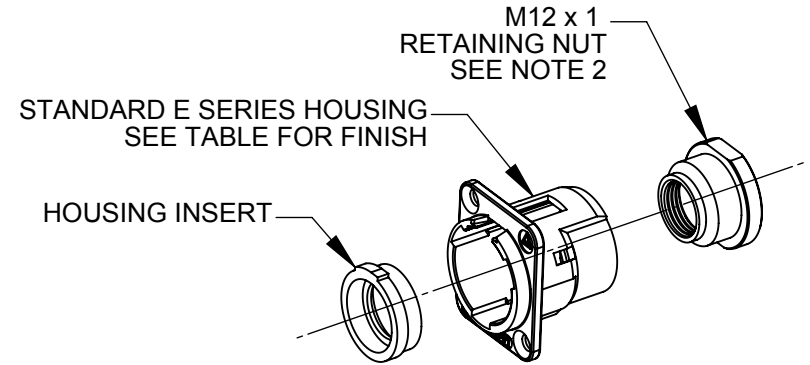


Ø0.138 THRU
 ✓ Ø0.230 X 82°
 (2) PLACES
 REF



SECTION A-A



NOTES:

1. USED WITH BPJJ SERIES BULKHEAD RCA JACKS. SAME AS EHRCA2X WITHOUT JACKS.
2. MAX TORQUE: 240 OZ-IN.
3. ADD "PKG" SUFFIX TO INCLUDE MOUNTING SCREWS AND INDIVIDUAL PACKAGING.
4. MATERIALS:
 HOUSING - ZINC ALLOY
 HOUSING INSERT - THERMOPLASTIC, BLACK
 RETAINING NUT - THERMOPLASTIC, BLACK
5. THIS PRODUCT IS RoHS COMPLIANT.

PART NUMBER	HOUSING FINISH
EH1	NICKEL
EHB1	BLACK CHROME

CUSTOMER DRAWING

					THIS DRAWING DESCRIBES A DESIGN CONSIDERED PROPRIETARY IN NATURE, DEVELOPED AND MANUFACTURED BY SWITCHCRAFT INC. AND IS RELEASED ON A CONFIDENTIAL BASIS FOR IDENTIFICATION PURPOSES ONLY.						
					SIZE	WIDTH	MULT	LBS/M	TEMPER		
					FINISH			MATERIAL			
					SPEC No.			SPEC No.			
					FIRST USED ON		SCALE 1.5:1				
A	26411	7/10/09	RS	TJK	DATE DRAWN	BY	CHKD	APVD	Switchcraft®		
REV	ECO NUMBER	DATE	BY	APVD	6/25/09	RS	RS	TJK			
REVISIONS					DO NOT SCALE DRAWING					SHEET 1 OF 1	
					NAME E SERIES CONNECTOR RCA FEEDTHROUGH KIT w/o JACK, RoHS					PART No. EH1-EHB1	REV A

