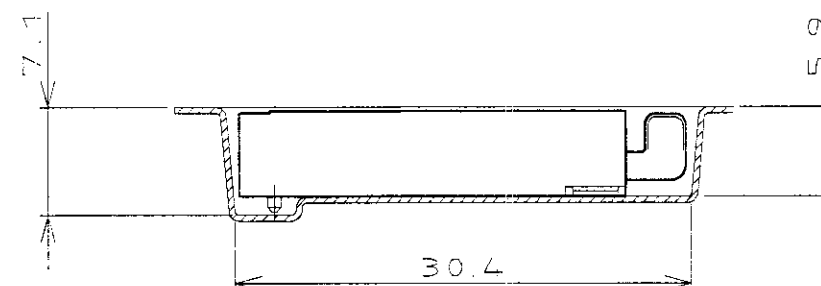
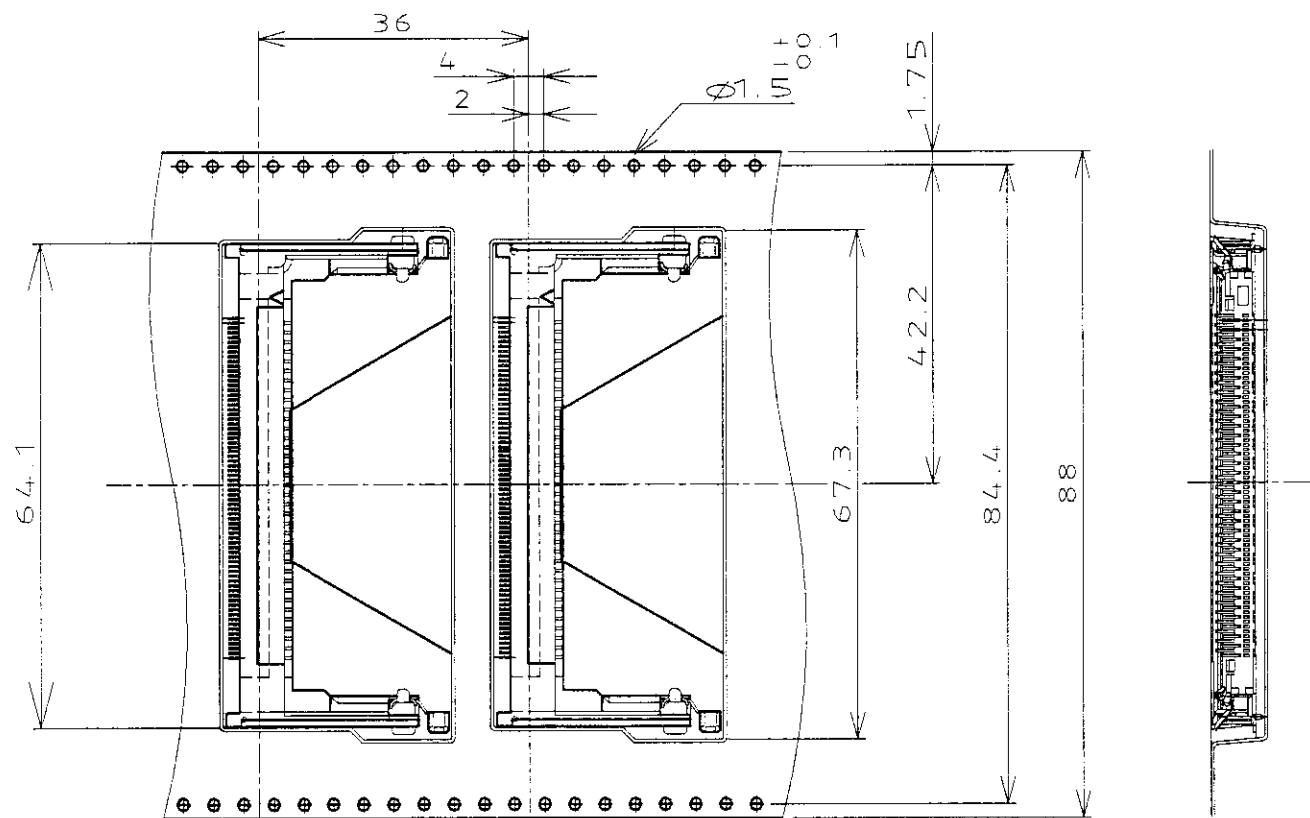


LOC DIST

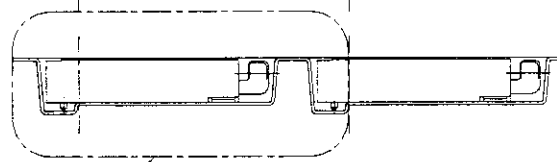
REVISIONS

P	LTR	DESCRIPTION	ECN	DATE	DWN	APVD
0		RELEASED	FJ00-0218-00	10FEB'00	T.F.	I.E.
A		REVISED	FJ00-0912-00	16JUN'00	Y.K.	T.M.

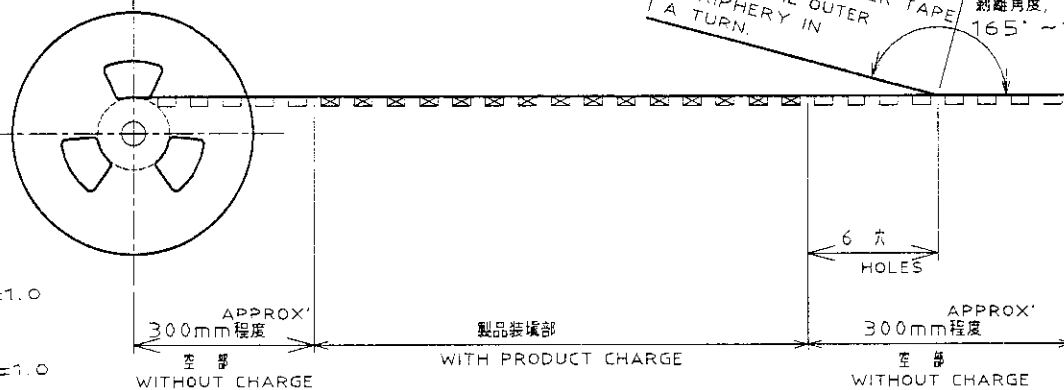
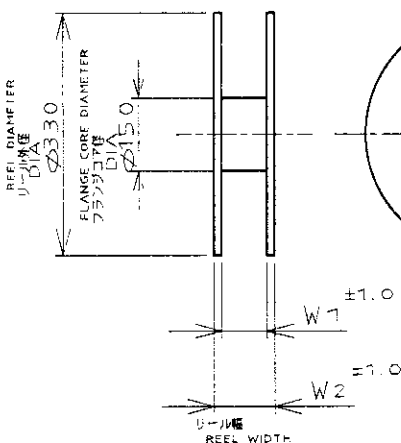
リール引出し方向
DIRECTION OFF TOP OF REEL



DETAIL "A"
(SCALE 2-1)



SEE DETAIL "A"



カバーテープ
リーダー部
外周一巻
WEEDING THE COVER TAPE
AROUND THE OUTER
PERIPHERY IN
A TURN.
PEELING ANGLE.
剥離角度,
165° ~ 180°

0.3Au, 3.3V	93.6	89.0	150	177827-1	1376266-2
0.3Au, 5V	93.6	89.0	150	177827-3	1376266-1
TYPE	W2	W1	QTY	CONN P/N	PART No.

WIRE RANGE
合金電線断面積

INSULATION DIA
絶縁外径

THIS DRAWING IS A CONTROLLED DOCUMENT FOR AMP INCORPORATED. IT IS SUBJECT TO CHANGE AND THE CONTROLLING ENGINEERING ORGANIZATION SHOULD BE CONTACTED FOR THE LATEST REVISION.

DWN 9/FEB/'00
T.FUMIKURA

CHK 10/FEB/'00
S.Abe

APVD 10/FEB/'00
I.Enomoto

PRODUCT SPEC
製品規格

108-5403

APPLICATION SPEC
設計適用規格



Tyco Electronics AMP K.K.
Kawasaki, Japan

EMBOSS ASSY
MII SOCKET 72POS.

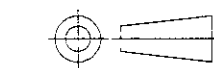
SIZE	CAGE CODE	DRAWING NO	RESTRICTED TO
A3	00779	C-1376266	---

SCALE 1-1 SHEET 1 OF 1 REV A

DIMENSIONS:
単位 英
mm

TOLERANCES UNLESS
OTHERWISE SPECIFIED

一般公差	102	±0.2
	302	±0.25
	1002	±0.3
	ANGLE	±3'



MATERIAL

FINISH
仕上

WEIGHT

CUSTOMER DRAWING