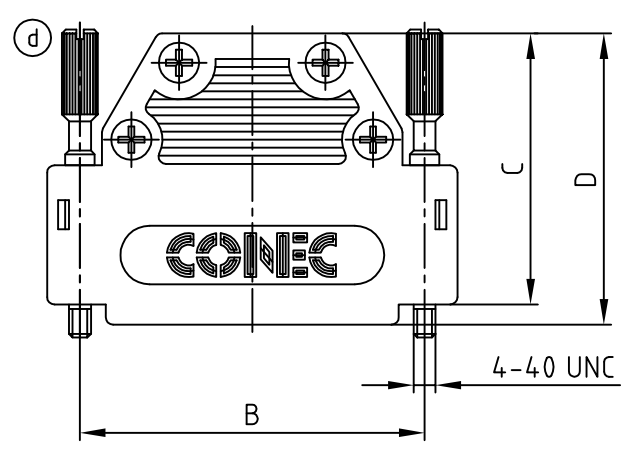
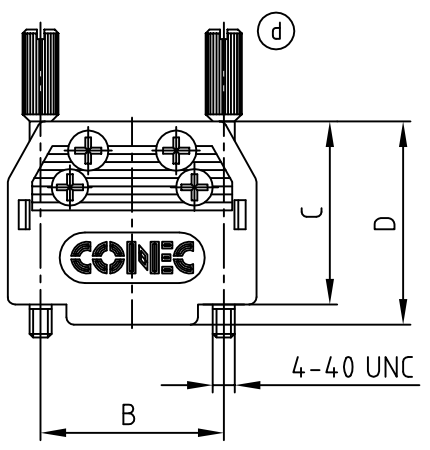
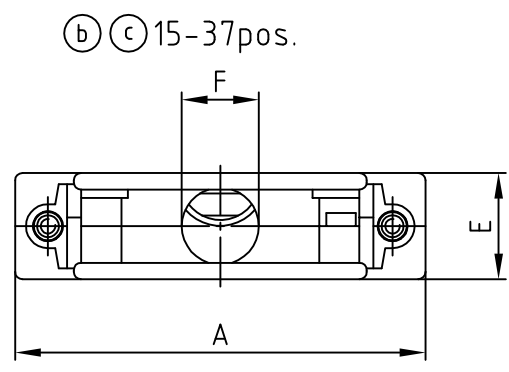
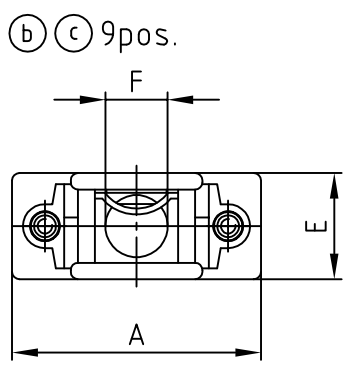


used for: D-SUB



(b) (c)

No. of pos.	A	B	C	D	E	F	Part No. Bulk package	Part No. Single package
9	34.0	25.00	25.0	27.75	14.5	8.5	165X10139X	165X10139XE
15	42.3	33.30	37.0	39.75	14.5	10.0	165X10149X	165X10149XE
25	56.0	47.04	37.0	39.75	14.5	10.5	165X10159X	165X10159XE
37	72.5	63.50	37.0	39.75	14.5	10.5	165X10169X	165X10169XE

(b) (c) NOTES:

1. HOOD: POLYAMID + GF / BLACK
2. JACKSCREW: BRASS; NICKEL PLATED
4. STRAIN RELIEF: STEEL; NICKEL PLATED
5. PAN-HEAD SCREW: STEEL; NICKEL PLATED
6. COUNTERSUNK-HEAD SCREW: BRASS; NICKEL PLATED

Directive 2002/95/EC RoHS compliant

THIS DRAWING MAY NOT BE COPIED OR REPRODUCED IN ANY WAY, AND MAY NOT BE PASSED ON TO A THIRD PARTY WITHOUT WRITTEN PERMISSION. OWNERSHIP AND COPYRIGHT OF CONEC GmbH DO NOT ALTER CAD DRAWING BY HAND

tolerance		dim. in mm	
2 x d	4 x c	5 x b	a
Ä3961	Ä3418	Ä3405	Original
06.04.2011	31.08.2009	19.08.2009	
K.H.	Lehmen.	Lehmen.	
norm	d-old		
2011	date	name	
drawn	08.01.	Lehmenkühler	
appd.	08.01.	Kühle	
rev.	description	date	name



scale:	1:1
material:	SEE NOTES
title:	PLASTIC HOOD 9-37pos. straight cable exit , jack screws
dwg no:	16K1A1078
part no:	SEE TABLE

DIN-A
4
sh: 1/1