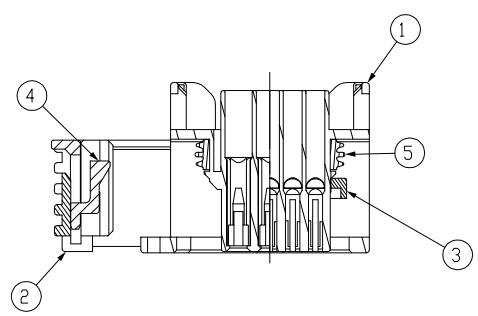
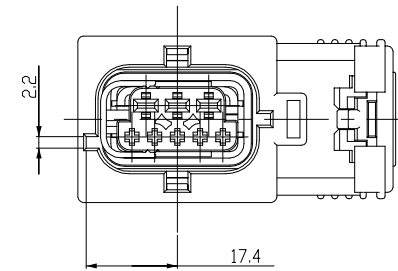
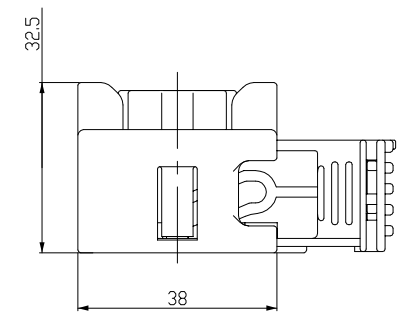
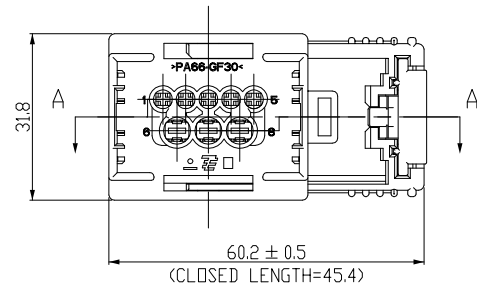
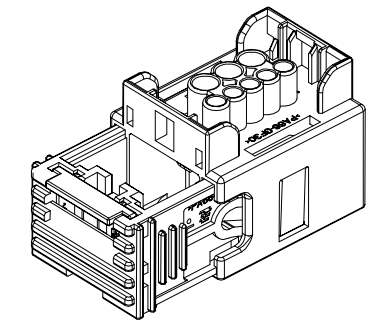


REVISIONS					
P	LTR	DESCRIPTION	DATE	DWN	APVD
	A	RELEASED	21MAR'11	DG	HG
	A1	REVISED(ECR-14-018513)	24.JUL'15	JS	HG



SECTION A-A



A1 2109313-2, -3 Key code 1 	1-2109313-2 Key code 2 	2-2109313-2 Key code 3 	A1 3-2109313-2, -3 Key code 4
A1 TBD Key code 5 	A1 TBD Key code 6 	A1 TBD Key code 7 	A1 7-2109313-3 Key code 8

NOTE
 1. DELIVERY CONDITION: DBL AND SLIDE IN 1st LOCK POSITION
 2. APPLICABLE TERMINAL: SEE TABLE
 3. APPLICABLE WIRE COVER
 : 2109318-2, 2109319-2

< TABLE >

CONTACT	.060 MT-2 TERMINAL		
P/N	969005-3	964274-3	
WIRE SIZE (mm ²)	0.3 ~ 0.5	0.5 ~ 0.85	

DESCRIPTION	.110 MCP TERMINAL		
P/N	1241392-2	1241394-2	1241396-2
WIRE SIZE (mm ²)	0.3-0.35	0.5 ~ 1.0	1.0 ~ 2.5

DESCRIPTION	MCP SINGLE WIRE SEAL(5.2mm HOLE)			
P/N	963294-1	963293-1	963292-1	828922-1, -2
INSULATION DIA(∅)	1.2-2.1	2.0-2.7	2.7-3.0	CAVITY PLUG

NO.	COLOR/FINISH	MATERIAL	DESCRIPTION	QTY								
5	RED ORANGE	RUBBER	INNER SEAL	1	1	1	1	1	1	1	1	1
4	YELLOW	PBT	CPA HSG	1	1	1	1	1	1	1	1	1
3	NATURAL	PA66-GF35	DBL HSG	1	1	1	1	1	1	1	1	1
2	GRAY	PA66-GF15	SLIDE LEVER HSG	1	1	1	1	1	1	1	1	1
1	GRAY	PA66-GF30	.060/.110 HYB 8P PLUG HSG Key code 8	-	-	-	-	-	-	-	1	-
1	A1 GRAY	PA66-GF30	.060/.110 HYB 8P PLUG HSG Key code 4	-	-	-	-	-	-	-	1	-
	BLACK	PA66-GF30	.060/.110 HYB 8P PLUG HSG Key code 4	-	-	-	-	-	1	-	-	-
1	BLACK	PA66-GF30	.060/.110 HYB 8P PLUG HSG Key code 3	-	-	-	1	-	-	-	-	-
1	BLACK	PA66-GF30	.060/.110 HYB 8P PLUG HSG Key code 2	-	-	1	-	-	-	-	-	-
1	GRAY	PA66-GF30	.060/.110 HYB 8P PLUG HSG Key code 1	-	1	-	-	-	-	-	-	-
1	BLACK	PA66-GF30	.060/.110 HYB 8P PLUG HSG Key code 1	1	-	-	-	-	-	-	-	-

THIS DRAWING IS A CONTROLLED DOCUMENT.

DIMENSIONS: MM

TOLERANCES UNLESS OTHERWISE SPECIFIED:
 0 PLC ± -
 1 PLC ± 0.5
 2 PLC ± 0.13
 3 PLC ± 0.013
 4 PLC ± 0.0001
 ANGLES ± -

MATERIAL: -

APPROVALS:
 DWN: JS KIM
 CHK: KT LIM
 APVD: HG CHO
 PRODUCT SPEC: -
 APPLICATION SPEC: -
 WEIGHT: -

NAME: 060/110 HYB 8P PLUG ASS'Y FOR DCT

SIZE: A2 CAGE CODE: 00779 DRAWING NO: C-2109313 RESTRICTED TO: -

CUSTOMER DRAWING SCALE: 1:2 SHEET 1 OF 1 REV: A1