



FLAT GAIN, HIGH DYNAMIC RANGE

Monolithic Amplifier **PGA-106W-75+**

75Ω 0.95 to 2.15 GHz

THE BIG DEAL

- High IP3, 36 dBm typ. at 1.5 GHz
- Gain, 15.9 dB typ. at 1.5 GHz
- High Pout, P1dB 19.5 dBm typ. at 1.5 GHz
- Low Noise Figure, 3.6 dB at 1.5 GHz
- Protected under US Patent 8,803,612



Generic photo used for illustration purposes only

CASE STYLE: DF782

+RoHS Compliant

The +Suffix identifies RoHS Compliance. See our web site for RoHS Compliance methodologies and qualifications

APPLICATIONS

- 75 ohm Satellite L-band
- DBS

PRODUCT OVERVIEW

PGA-106W-75+ (RoHS compliant) is an advanced wideband amplifier fabricated using E-PHEMT* technology and offers extremely high dynamic range over a broad frequency range with low noise figure and flat gain. Lead finish is SnAgNi. It has repeatable performance from lot to lot and is enclosed in a SOT-89 package for very good thermal performance.

KEY FEATURES

Feature	Advantages
Broad Band: 0.95 to 2.15 GHz	Covers satellite IF band
High IP3 Versus DC power Consumption: 36 dBm typical	The PGA-106W-75+ matches industry leading IP3 performance relative to device size and power consumption. The combination of the design and E-PHEMPT structure provides enhanced linearity over a broad frequency range as evidence in the IP3 being typically 13-15 dB above the P 1dB point. This feature makes this amplifier ideal for use in CATV applications.
High IP2 51-57 dBm	Suppresses second order product on wideband applications such as CATV
Low Noise Figure: 3.6 dB at 1.5 GHz	Low noise figure performance in combination with the high output IP3 results in high dynamic range.

*Enhanced mode pseudomorphic High Electron Mobility Transistor.

REV. B
ECO-011959
PGA-106W-75+
TH/RS/CP
220214





FLAT GAIN, HIGH DYNAMIC RANGE

Monolithic Amplifier **PGA-106W-75+**

ELECTRICAL SPECIFICATIONS AT 25°C, 75Ω AND 5.0V, UNLESS NOTED OTHERWISE

Parameter	Condition (GHz)	Without Ext. mat ⁽¹⁾			With Ext. mat ⁽²⁾	Units
		Min.	Typ.	Max.	Typ.	
Frequency Range		0.95		2.15		GHz
Gain	0.95	—	16.9	—	17.3	dB
	1.5	14.3	15.9	17.5	16.4	
	2.15	—	14.7	—	15.7	
Input Return Loss	0.95		12.2		21.2	dB
	1.5		9.5		15.3	
	2.15		7.6		11.8	
Output Return Loss	0.95		14.8		15.9	dB
	1.5		10.5		14.2	
	2.15		7.6		12.7	
Reverse Isolation	1.5		25.4		29.4	dB
Output Power @1 dB compression	0.95		18.8		19.2	dBm
	1.5		19.5		19.8	
	2.15		21.5		19.6	
Output IP3	0.95		35.8		36.3	dBm
	1.5		35.6		35.0	
	2.15		35.6		34.6	
Output IP2 ⁽³⁾	0.95		57.2		55.4	dBm
	1.5		53.2		52.1	
	2.15		50.8		61.3	
Noise Figure	0.95		3.1		3.1	dB
	1.5		3.6		3.5	
	2.15		3.9		3.9	
Device Operating Voltage (Vd)		4.8	5.0	5.2		V
Device Operating Current		—	116	132		mA
Device Current Variation vs. Temperature ⁽⁵⁾			97			μA/°C
Device Current Variation vs Voltage			0.05			mA/mV
Thermal Resistance ⁽⁴⁾			76			°C/W

(1) Measured on Mini-Circuits Characterization Test board TB-587+. See Characterization Test Circuit (Fig. 1a)

(2) Measured on Mini-Circuits characterization Eval Board TB-696+ see characterization test circuit. (Fig. 1b)

(3) Output IP2 measured at sum frequency of the two tones (f_{meas}=f₁+f₂).

(4) Junction to ground lead.

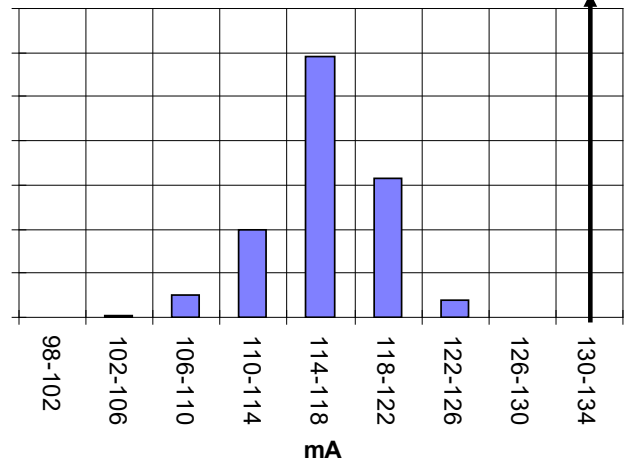
(5) (Current at 85°C - Current at -45°C)/130

MAXIMUM RATINGS

Parameter	Ratings
Operating Temperature (ground lead)	-40°C to 85°C
Storage Temperature	-65°C to 150°C
Operating Current at 5.0V	170 mA
Power Dissipation	0.85 W
Input Power (CW)	+26 dBm (5 minutes) +14 dBm (continuous)
DC Voltage on Pin 3	6 V

Permanent damage may occur if any of these limits are exceeded.
Electrical maximum ratings are not intended for continuous normal operation.

HISTOGRAM





FLAT GAIN, HIGH DYNAMIC RANGE

Monolithic Amplifier **PGA-106W-75+**

SIMPLIFIED SCHEMATIC AND PIN DESCRIPTION



Function	Pin Number	Description
RF-IN	1	RF input pin. This pin requires the use of an external DC blocking capacitor chosen for the frequency of operation.
RF-OUT and DC-IN	3	RF output and bias pin. DC voltage is present on this pin; therefore a DC blocking capacitor is necessary for proper operation. An RF choke is needed to feed DC bias without loss of RF signal due to the bias connection, as shown in "Recommended Application Circuit", Fig. 2
GND	2,4	Connections to ground. Use via holes as shown in "Suggested Layout for PCB Design" to reduce ground path inductance for best performance.

CHARACTERIZATION TEST CIRCUIT

Fig 1a

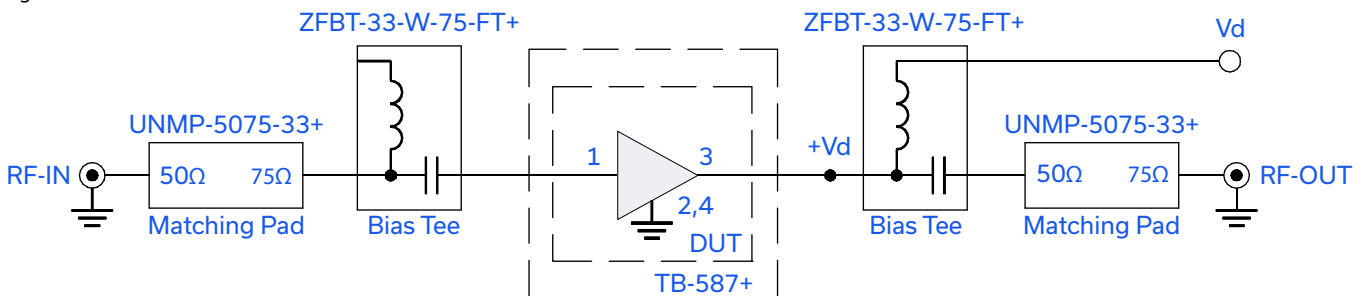


Fig 1a, 1b. Block Diagram of Test Circuit used for characterization. DUT tested on Mini-Circuits Characterization Test board TB-587+ (Fig 1a) and Eval board TB-696+ (Fig 1b).

Gain, Return loss, Output power at 1dB compression (P1 dB), output IP3 (OIP3), output IP2 (OIP2) and noise figure measured using Agilent's N5242A PNA-X microwave network analyzer.

Conditions:

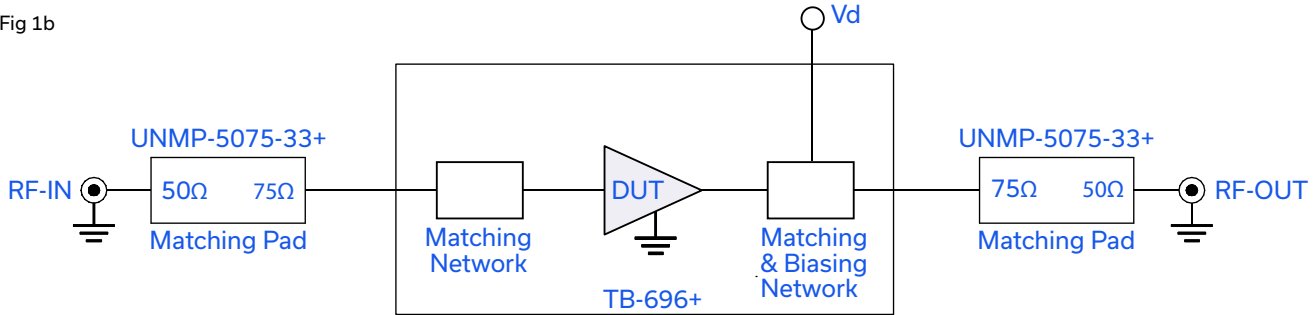
1. Gain and Return loss: Pin= -25dBm
2. Output IP3 (OIP3): Two tones, spaced 1 MHz apart, 5 dBm/tone at output.
3. Output IP2 (OIP2): Two tones, spaced 11 MHz apart, 5 dBm/tone at output.



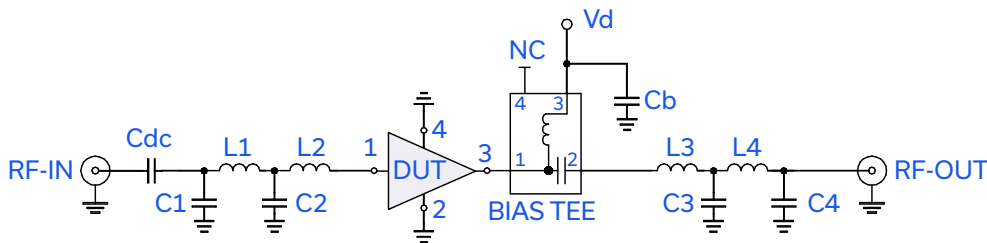
FLAT GAIN, HIGH DYNAMIC RANGE

Monolithic Amplifier **PGA-106W-75+**

Fig 1b



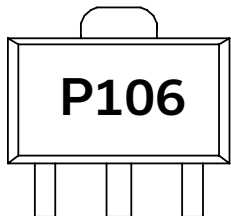
RECOMMENDED APPLICATION CIRCUIT (TB-696+)



Component	Value
DUT	PGA-106W-75+
Bias Tee	Mini-Circuits TCBT-14+
Cdc	2400 pF
Cb	0.1 μF
C1	0.4 pF
C2, C3	1.0 pF
C4	0.3 pF
L1, L2, L4	6.2 nH
L3	4.7 nH

Fig 2. Evaluation board includes case, connectors, and components soldered to PCB

PRODUCT MARKING



Marking may contain other features or characters for internal lot control



FLAT GAIN, HIGH DYNAMIC RANGE

Monolithic Amplifier **PGA-106W-75+**

Mini-Circuits

ADDITIONAL DETAILED TECHNICAL INFORMATION IS AVAILABLE ON OUR DASH BOARD. TO ACCESS [CLICK HERE](#)

Performance Data	Data Table Swept Graphs S-Parameter (S2P Files) Data Set (.zip file)
Case Style	DF782 (SOT 89) Plastic package, exposed paddle lead finish: tin-silver over nickel
Tape & Reel Standard quantities available on reel	F55 7" reels with 20, 50, 100, 200, 500 or 1K devices
Suggested Layout for PCB Design	PL-379
Evaluation Board	TB-696+
Environmental Ratings	ENV08T1

ESD RATING

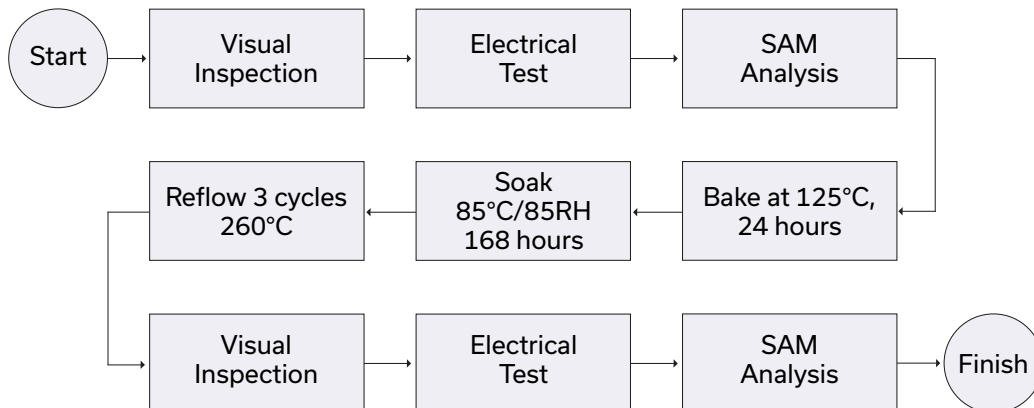
Human Body Model (HBM): Class 1B (500<1000) in accordance with ANSI/ESD STM 5.1 - 2001

Machine Model (MM): Class class M1 (50V) in accordance with ANSI/ESD STM5.2-1999

MSL RATING

Moisture Sensitivity: MSL1 in accordance with IPC/JEDEC J-STD-020D

MSL TEST FLOW CHART



- NOTES
- A. Performance and quality attributes and conditions not expressly stated in this specification document are intended to be excluded and do not form a part of this specification document.
 - B. Electrical specifications and performance data contained in this specification document are based on Mini-Circuit's applicable established test performance criteria and measurement instructions.
 - C. The parts covered by this specification document are subject to Mini-Circuits standard limited warranty and terms and conditions (collectively, "Standard Terms"); Purchasers of this part are entitled to the rights and benefits contained therein. For a full statement of the standard. Terms and the exclusive rights and remedies thereunder, please visit Mini-Circuits' website at www.minicircuits.com/MCLStore/terms.jsp

