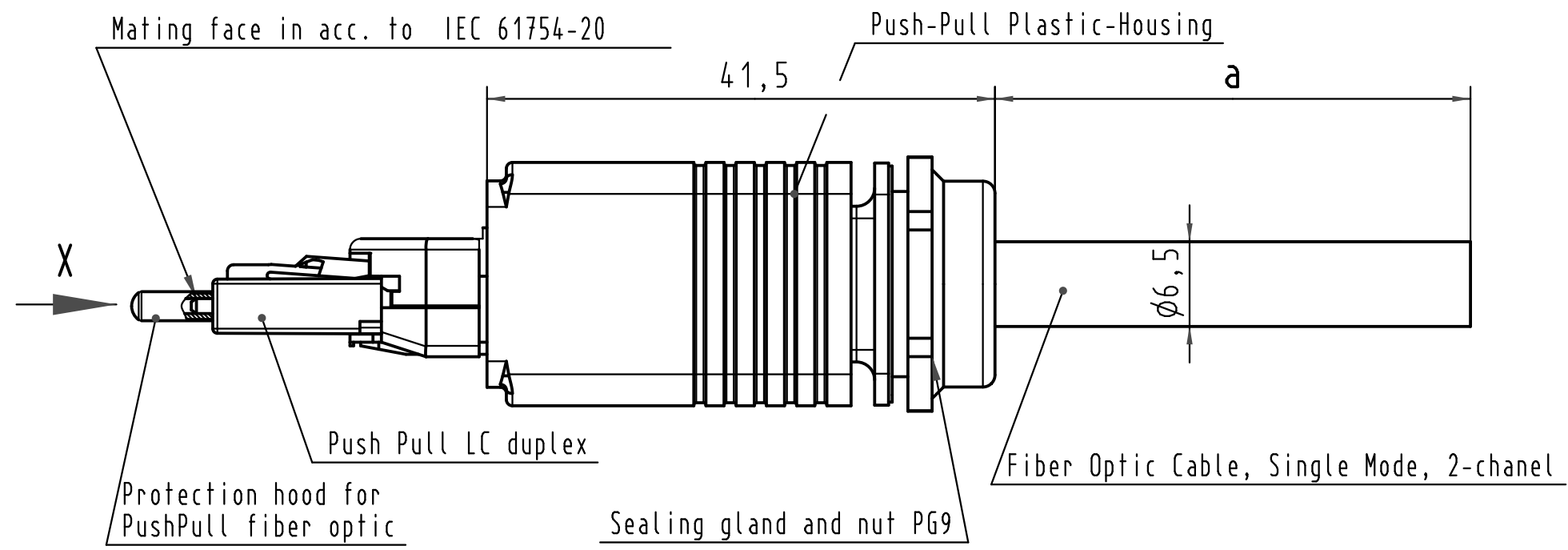
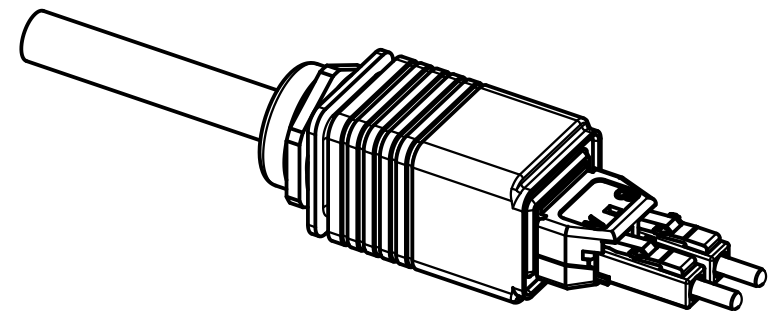
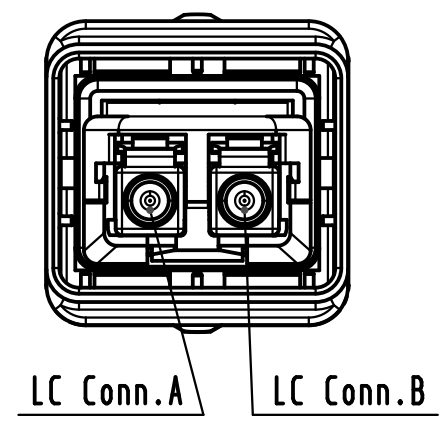


Alle Rechte vorbehalten/ All rights reserved



X  
(without protection hood)

**Loading-Plan**



-Protection level: IP67/65  
-Temperature range: -40°C ...+70°C

9	High strength fiber optic breakout cable Single Mode	33 58 111 300 0002	300 m
8	High strength fiber optic breakout cable Single Mode	33 58 111 100 0002	100 m
7	High strength fiber optic breakout cable Single Mode	33 58 111 060 0002	60 m
6	High strength fiber optic breakout cable Single Mode	33 58 111 050 0002	50 m
5	High strength fiber optic breakout cable Single Mode	33 58 111 040 0002	40 m
4	High strength fiber optic breakout cable Single Mode	33 58 111 020 0002	20 m
3	High strength fiber optic breakout cable Single Mode	33 58 111 010 0002	10 m
2	High strength fiber optic breakout cable Single Mode	33 58 111 005 0002	5 m
1	High strength fiber optic breakout cable Single Mode	33 58 111 001 0002	1 m

Cont No.	Type of cable	Part-No.	Dim. a
----------	---------------	----------	--------

	All Dimensions in mm Original Size DIN A 3			Techn. Character.			Nicht tolerierte Maß/Free size tolerances	
							<b>Push Pull fiber optic assembly 1xPush Pull LC DUPLEX, plastic Single Mode</b>	
			Detail.	20.08.08	MR	<b>2:1</b>		
			Insp.	20.08.08	RA			
			Stand.					
			DRS 506A	21.05.09	MS	<b>HARTING</b>		<b>TB 33 58 111 xxx 0002</b>
			EC00166	17.02.09	MR			
			35590	13.01.09	MR			
			35014			HARTING Electronics GmbH & Co. KG D-32339 ESPELKAMP		Blatt/ page Sub.
			Mod.	Dat.	Name			Sub