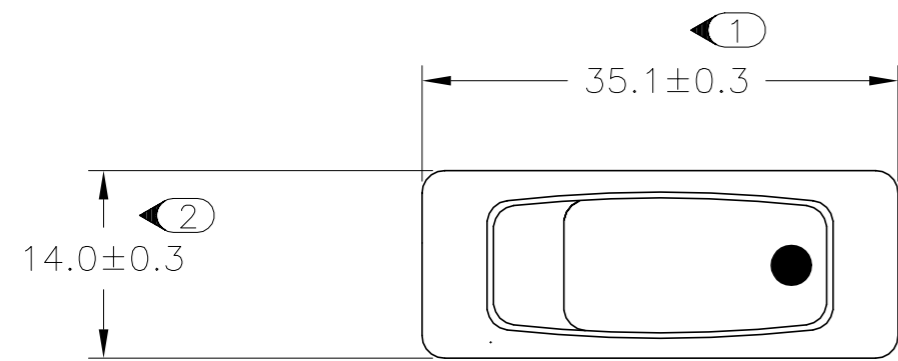
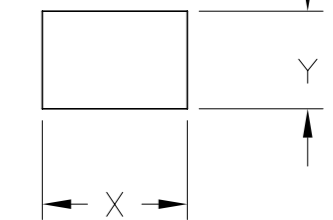


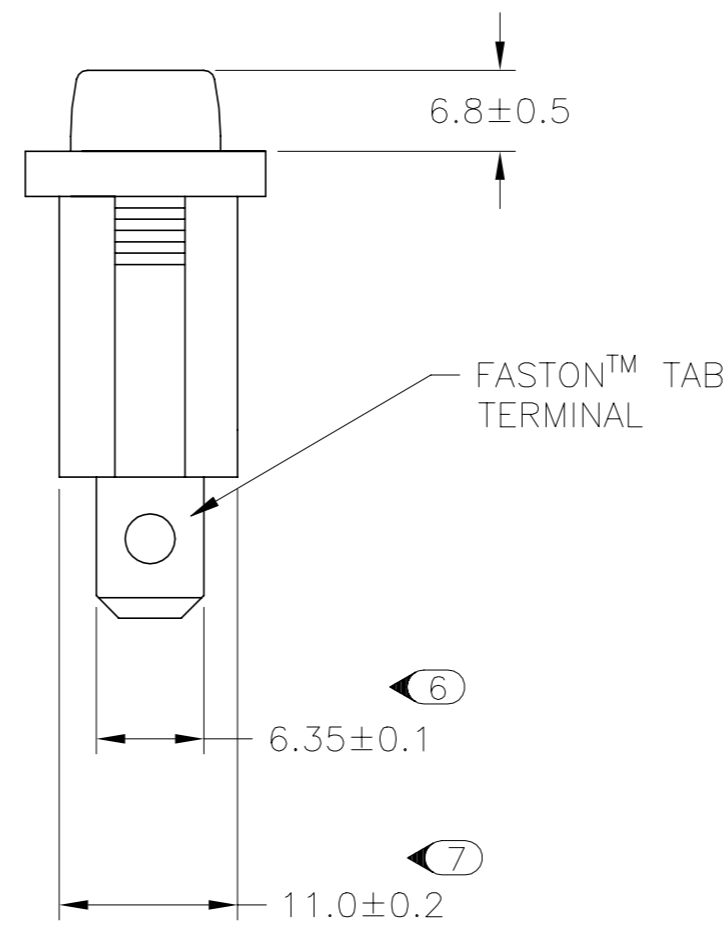
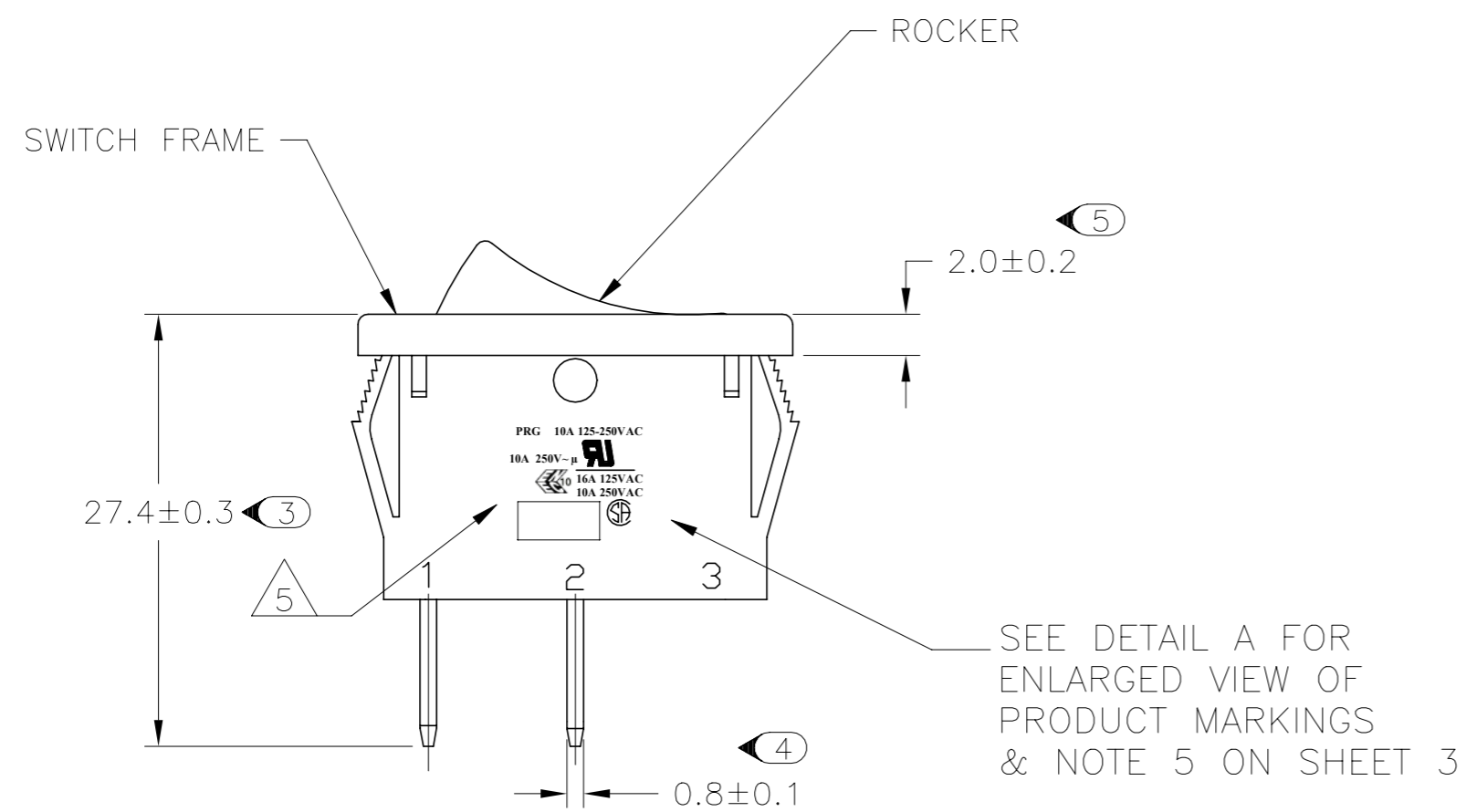
REVISIONS					
P	LTR	DESCRIPTION	DATE	DWN	APVD
F		REVISED PER ECO-20-013571	17FEB2021	SR	JB



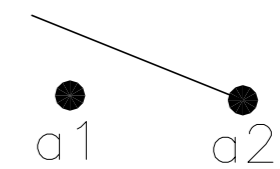
PANEL CUT OUT



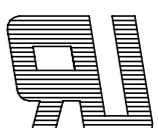

2.00-3.00	30.20	11.20
1.25-2.00	30.20	11.20
0.75-1.25	30.20	11.20
PANEL THICKNESS	X	Y




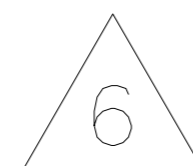
CIRCUIT DIAGRAM




**PRODUCT MARKING
DETAIL A**

PRG 10A 125-250VAC
10A 250V~μ 
 **16A 125VAC**
10A 250VAC

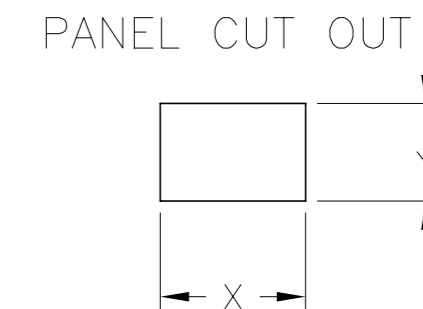
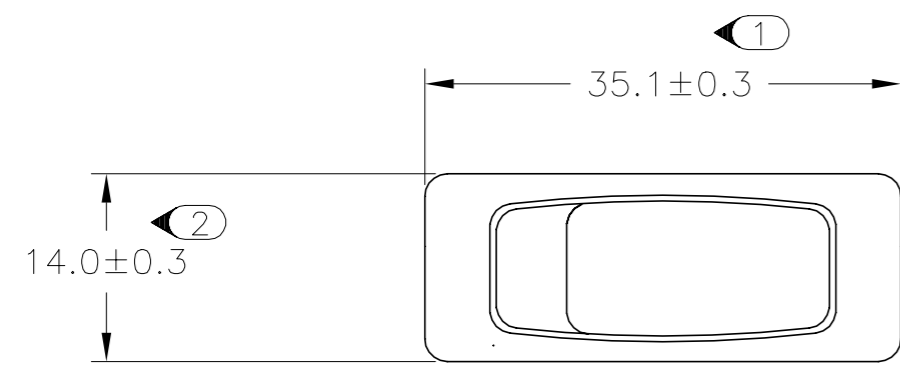
TYCO ELECTRONICS LOGO PER TEC-202-36 



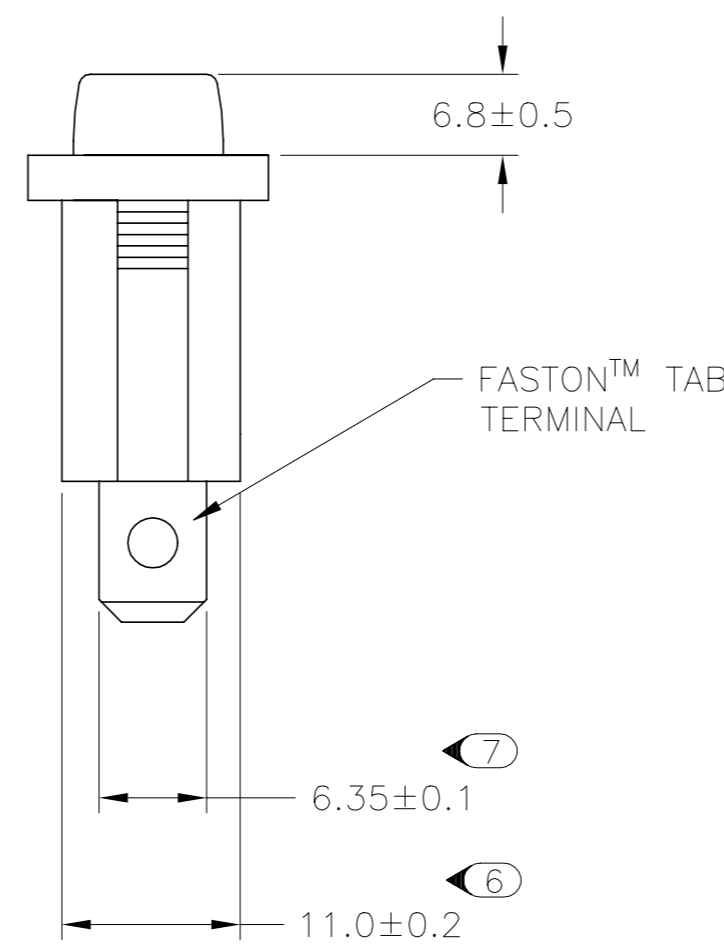
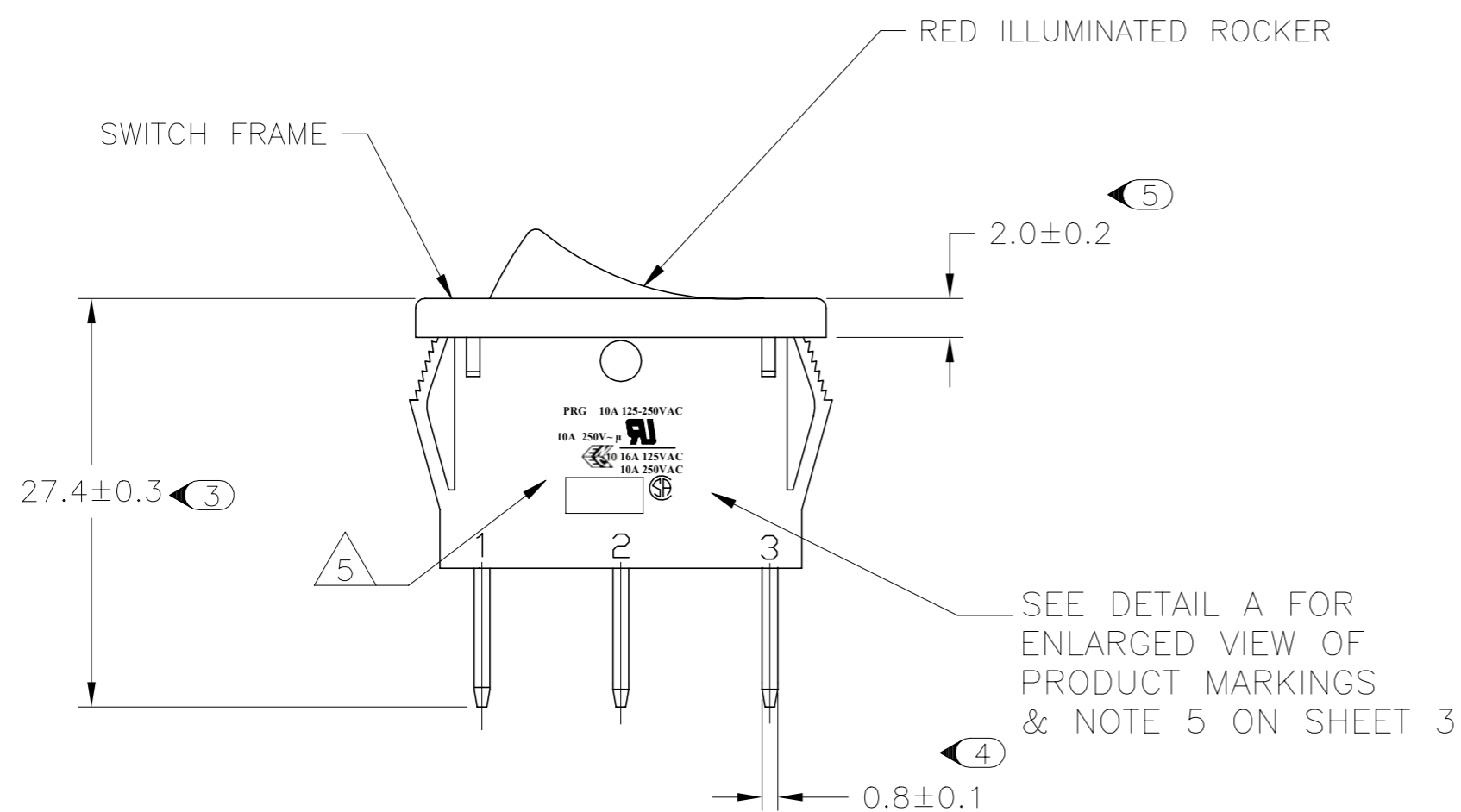
1634202-2 SHOWN ON-OFF

THIS DRAWING IS A CONTROLLED DOCUMENT.		DWN S.SHACKSON 04FEB2003	 TE Connectivity Ltd.	
DIMENSIONS: MM		CHK H.KAUTZ 04FEB2003	NAME POWER ROCKER SWITCH, 30.2mm X 11.2mm PANEL CUT-OUT SIZE, SINGLE POLE, SINGLE THROW, NON-ILLUMINATED	
TOLERANCES UNLESS OTHERWISE SPECIFIED: 0 PLC ± - 1 PLC ± 0.5 2 PLC ± 3 PLC ± 4 PLC ± ANGLES ± -		APVD H.KAUTZ 04FEB2003	DRAWING NO C=1634202	
MATERIAL		PRODUCT SPEC NOT APPLICABLE	SIZE A2	RESTRICTED TO -
FINISH		APPLICATION SPEC NOT APPLICABLE	CAGE CODE 00779	SHEET 1 of 3
SCALE 3:1		WEIGHT -	REVISION F	
CUSTOMER DRAWING				

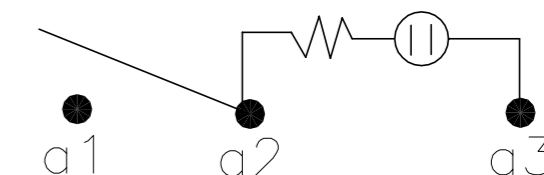
REVISIONS					
P	LTR	DESCRIPTION	DATE	DWN	APVD
-	-	SEE SHEET 1	-	-	-



2.00-3.00	30.20	11.20
1.25-2.00	30.20	11.20
0.75-1.25	30.20	11.20
PANEL THICKNESS	X	Y



CIRCUIT DIAGRAM



PRODUCT MARKING
DETAIL A

PRG 10A 125-250VAC

10A 250V~μ

10 16A 125VAC
10A 250VAC

TYCO ELECTRONICS LOGO PER TEC-202-36



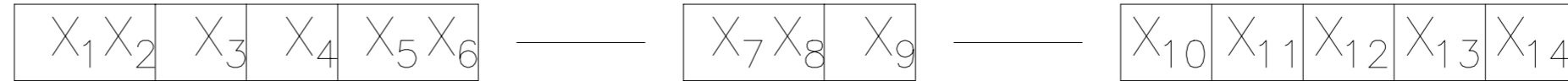
1634202-5 SHOWN ON-OFF
(ILLUMINATED)

THIS DRAWING IS A CONTROLLED DOCUMENT.		DWN S.SHACKSON 04FEB2003	TE Connectivity Ltd.	
DIMENSIONS: MM		CHK H.KAUTZ 04FEB2003	NAME POWER ROCKER SWITCH, 30.2mm X 11.2mm PANEL CUT-OUT SIZE, SINGLE POLE, SINGLE THROW, NON-ILLUMINATED	
TOLERANCES UNLESS OTHERWISE SPECIFIED:		APVD H.KAUTZ 04FEB2003	SIZE A2	
0 PLC ± -	1 PLC ± 0.5	PRODUCT SPEC NOT APPLICABLE	CAGE CODE 00779	DRAWING NO C=1634202
2 PLC ± -	3 PLC ± -	APPLICATION SPEC NOT APPLICABLE	RESTRICTED TO	-
4 PLC ± -	ANGLES ± -	WEIGHT -	SCALE 3:1	SHEET 2 of 3
MATERIAL 1	FINISH 2	CUSTOMER DRAWING	REV F	

REVISIONS

P	LTR	DESCRIPTION	DATE	DWN	APVD
-	-	SEE SHEET 1	-	-	-

ALCOSWITCH PART NUMBER



1 MATERIALS:
 HOUSING FRAME: NYLON 66.
 ACTUATOR: NYLON 66/ PC(ILLUMINATED)
 TERMINALS C1100R-1/2H WITH SILVER PLATED CONTACTS
 AgALLOY

2 FINISH:
 TERMINAL, ACTIVE CONTACTOR: 1.0µm [.000039] SILVER
 PLUNGER: 3.0mm[.000118] NICKEL

3 ELECTRICAL SPECIFICATIONS:
 CONTACT RESISTANCE : 50m ohm Max
 DIELECTRIC STRENGTH : AC 1500V, 1 MINUTE
 OPERATION TEMPERATURE: -20°C~85°C
 INSULATION R: DC 500V 100M ohm MIN

4 CURRENT AND VOLTAGE 10A@125VAC/10A@250VAC

5 ELECTRICAL RATINGS, APPROVED AGENCY LOGOS, TE LOGO PER
 TEC-202-36 APPROXIMATELY AS SHOWN.
 (FOR FULL DETAIL SEE INDIVIDUAL DRAWING)

6 ON-OFF, WITH OPAQUE, SINGLE-COLOR ROCKER BUTTON.

7 ON-OFF, WITH TRANSPARENT, LAMP-ILLUMINATED ROCKER
 BUTTON.

8 REFER TO QIP DIMENSIONAL REPORT

9 NOTE REMOVED.

SWITCH TYPE: X1X2 = PR - POWER ROCKER

NOMINAL PANEL CUT OUT SIZE: X3 = G - 30.2X11.2 [.1.189x.441]

NUMBER OF POLES: X4 = S - SINGLE

SWITCH FUNCTION: X5X6 = A1 -
B1 -

CURRENT RATING: X7X8 = 16 -

TERMINAL TYPE: X9 = F - FASTON™ TAB

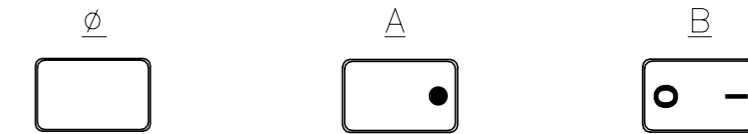
FRAME COLOR: X10 = B - BLACK
W - WHITE

ROCKER COLOR: X11 = B - BLACK
G - GREEN
R - RED
Y - YELLOW

SECONDARY ROCKER COLOR: X12 = Ø - NOT APPLICABLE

B - BLACK
G - GREEN
R - RED
W - WHITE

LEGEND TEXT PATTERN: X13 =



LEGEND TEXT COLOR: X14 = Ø - NOT APPLICABLE

G - GREEN
R - RED
B - BLACK
W - WHITE

2	PRGSB1-16F-BG000	1634202-6
2	PRGSB1-16F-BR000	1634202-5
1	PRGSA 1-16F-BR000	1634202-4
1	PRGSA 1-16F-BB0BW	1634202-3
1	PRGSA 1-16F-BB0AW	1634202-2
1	PRGSA 1-16F-BB000	1634202-1
SHEET REF	ALCO SWITCH PART NUMBER	TE PART NUMBER

THIS DRAWING IS A CONTROLLED DOCUMENT.		DWN	S.SHACKSON	04FEB2003	TE Connectivity Ltd.	
DIMENSIONS: MM		CHK	H.KAUTZ	04FEB2003	NAME	
TOLERANCES UNLESS OTHERWISE SPECIFIED:		APVD	H.KAUTZ	04FEB2003	POWER ROCKER SWITCH, 30.2mm X 22.2mm	
0 PLC ± -		PRODUCT SPEC	NOT APPLICABLE			
1 PLC ± 0.30[.012]		APPLICATION SPEC	NOT APPLICABLE			
2 PLC ± 0.05[.002]		SIZE	A2	CAGE CODE	00779	DRAWING NO
3 PLC ± -		WEIGHT	-	C=1634202		RESTRICTED TO
4 PLC ± -		CUSTOMER DRAWING				-
ANGLES ± -		SCALE	3:1	SHEET	3 of 3	REV
FINISH		F				