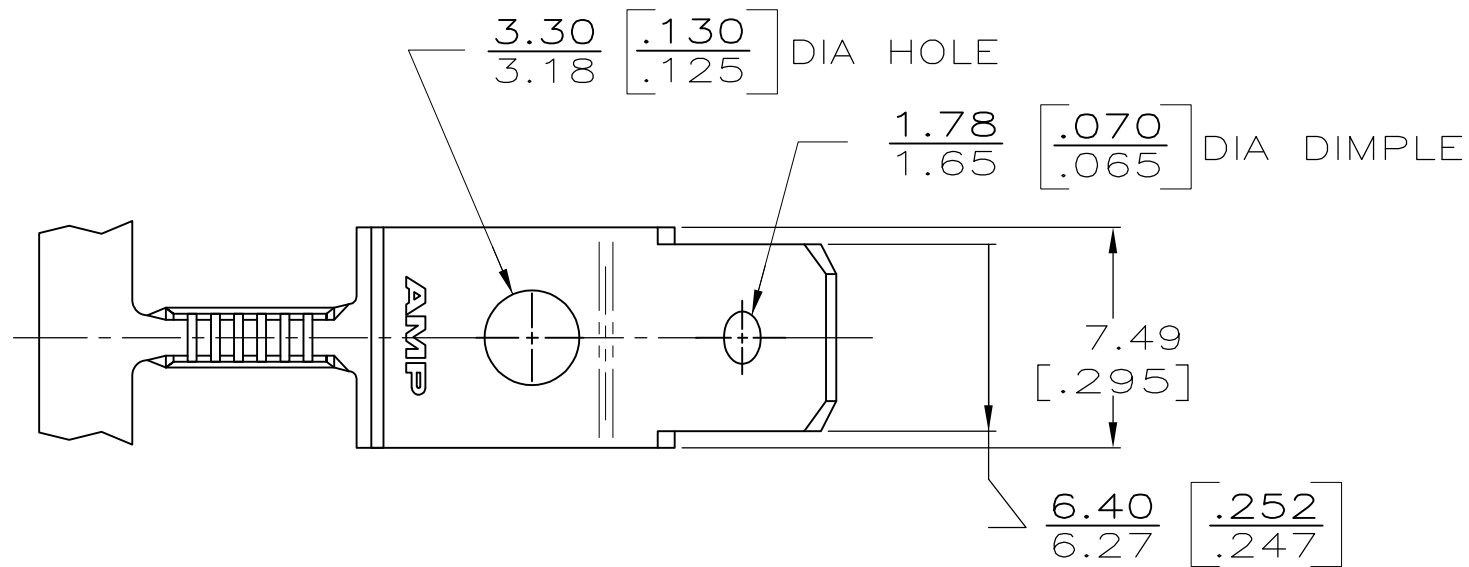
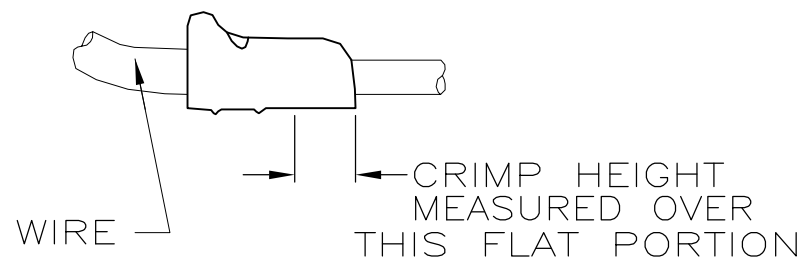
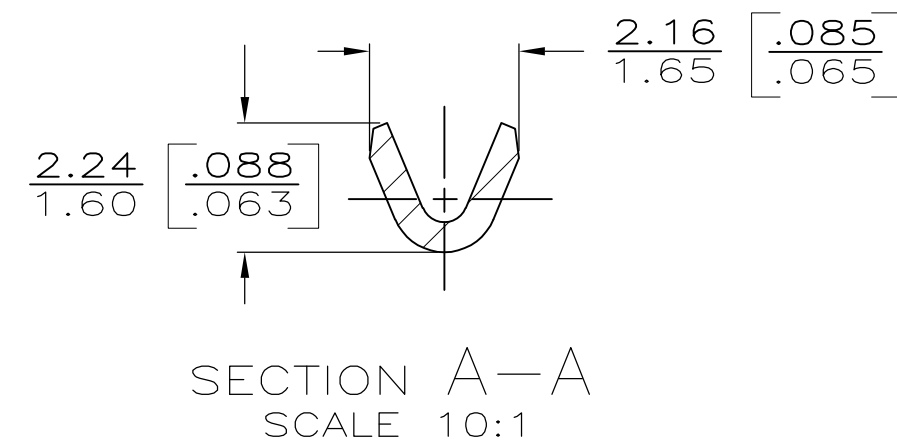
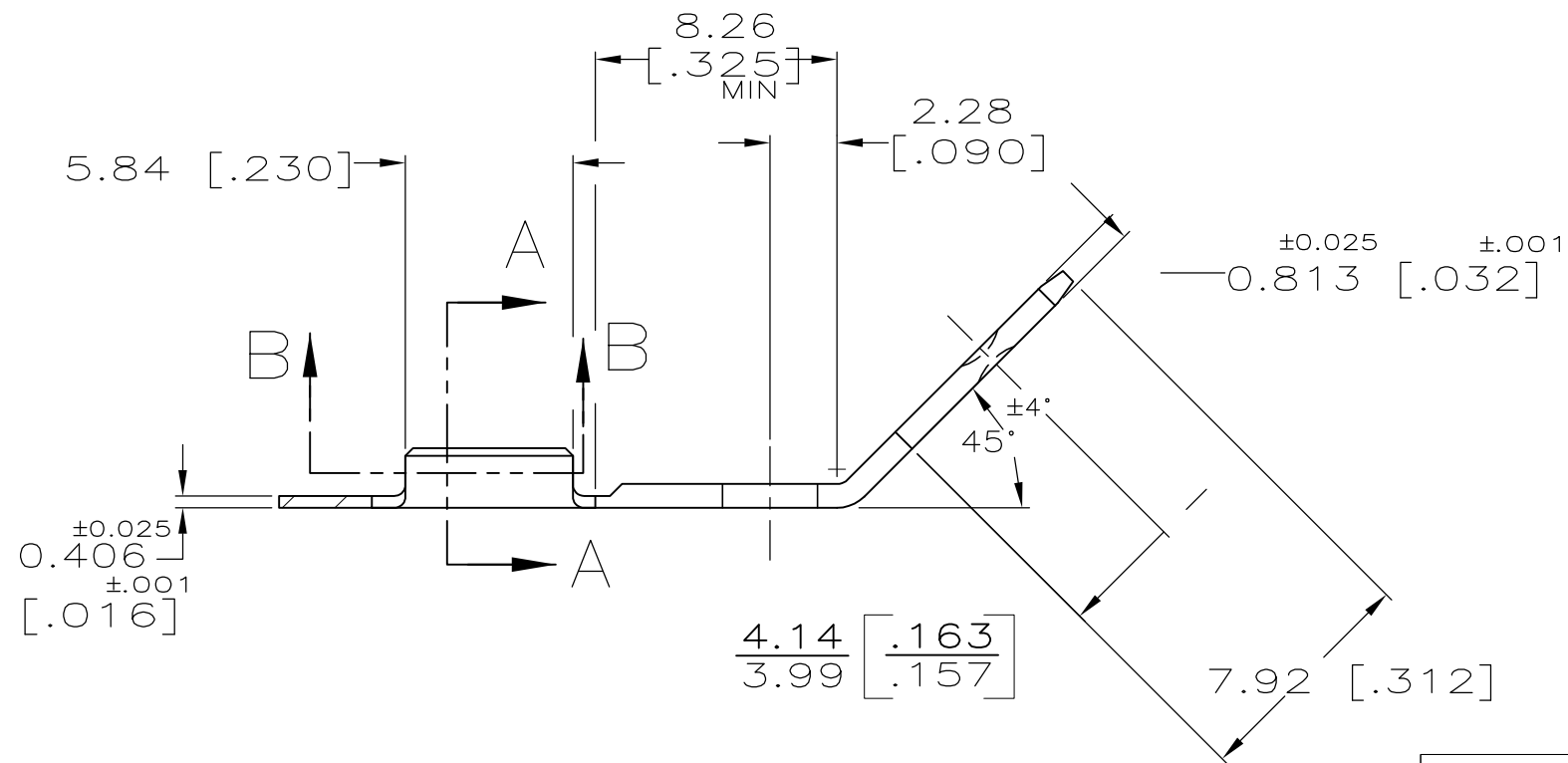


THIS DRAWING IS UNPUBLISHED. RELEASED FOR PUBLICATION
 © COPYRIGHT 19 BY AMP INCORPORATED. ALL INTERNATIONAL RIGHTS RESERVED.

LOC	DIST	P	F	REVISIONS				
AF	50			ZONE	LTR	DESCRIPTION	DATE	APPD
					P	REVISE PER ECR-13-013738	2/15/14	GRZ/JL



- CONTINUOUS STRIP ON REELS.
- TAB DIMENSIONS ARE IN ACCORDANCE WITH NEMA DC-2 STD.



DO NOT SCALE PRINT. UNLESS SPECIFIED		DR	2/7/91	200-566 CMA	63136-1
DIMENSIONS IN mm [INCHES]		JR RUTH		WIRE RANGE	PART NO
TOLERANCES ON:		CHK	2/7/91	AMP AMP Incorporated	
2 PLC DEC ± 0.25 [.010]		P FORTNEY		Harrisburg, PA 17105-3608	
3 PLC DEC ± -		APPD	2/7/91	NAME	
ANGLES ± -		R BEAVER		TAB, FASTON™ AMPLIVAR,	
MATERIAL	BRASS	APPD	2/7/91	6.35 [.250] SERIES	
		D REINER		SIZE	CAGE CODE
		PRODUCT SPEC	-	B	00779
		APPLICATION SPEC	-	SCALE	4:1
FINISH	TIN 0.002032 [.000080] MIN WITH VARNISH RESIST	WEIGHT	-	DRAWING NO	63136
				SHEET	1 OF 1