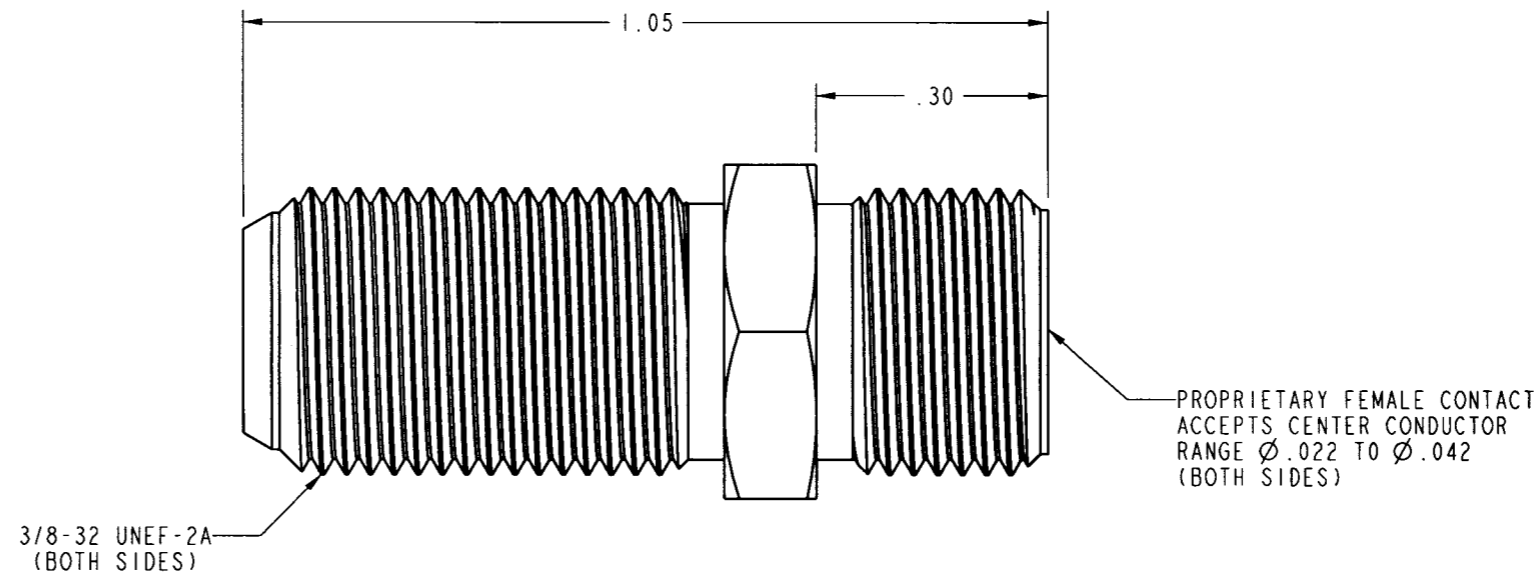
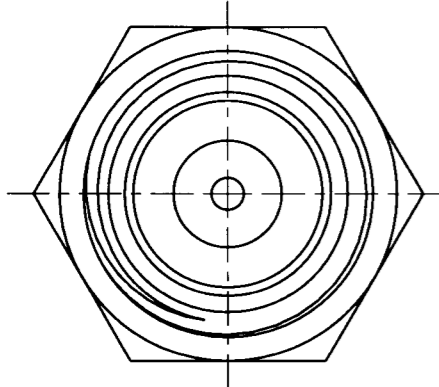
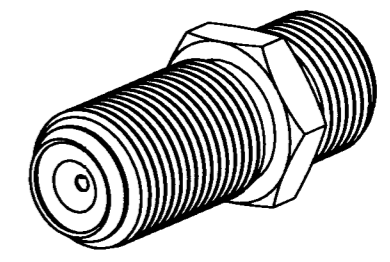


NOTES:

1. SPECIFICATIONS IN THIS DOCUMENT ARE SUBJECT TO CHANGE WITHOUT NOTICE. CONTACT AMPHENOL FOR LATEST SPECIFICATIONS. ALL STATEMENTS, INFORMATION AND DATA GIVEN HEREIN ARE BELIEVED TO BE ACCURATE AND RELIABLE BUT ARE PRESENTED WITHOUT GUARANTY, WARRANTY, OR RESPOSIBILITY OF ANY KIND, EXPRESSED OR IMPLIED.

2. MATERIALS:
 CONTACT - PHOSPHOR BRONZE, NICKEL PLATE
 INSULATOR - PTFE OR POLYPROPYLENE
 BODY - BRASS, NICKEL PLATE

531-40033		REVISIONS		
DRAWING NO.	REV	DESCRIPTION	DATE	ECO
THIRD ANGLE PROJ.	A	OFFICIAL ENG. RELEASE TO MFG.	4-2-97	41647
				99D



CUSTOMER OUTLINE DRAWING
 FOR REFERENCE ONLY

UNLESS OTHERWISE SPECIFIED, DIMENSIONS ARE IN INCHES AND TOLERANCES ARE:
 2 PLACE DECIMAL ±.015 (0,381 mm) 3 PLACE DECIMAL ±.005 (0,127 mm) ANGLES ± 1°

NOTICE - These drawings, specifications, or other data (1) are, and remain the property of Amphenol Corp. (2) must be returned upon request; and (3) are confidential and not to be disclosed to any person other than those to whom they are given by Amphenol Corp. The furnishing of these drawings, specifications, or other data by Amphenol Corp., or to any other person to anyone for any purpose is not to be regarded by implication or otherwise in any manner licensing, granting rights or permitting such holder or any other person to manufacture, use or sell any product, process or design, patented or otherwise, that may in any way be related to or disclosed by said drawings, specifications, or other data.

MATERIAL	DRAWN	DATE	TITLE	Amphenol Amphenol Corporation Communication and Network Products Division Danbury, CT U.S.A. 06810
	B. HAMMOND	16-Feb-96		
REFERENCE	ENGINEER	DATE	F RECEPTACLE FEMALE - FEMALE (CUSTOMER OUTLINE)	SCALE: 4.0:1
	B. HAMMOND	16-Feb-96		SHEET 2 OF 2
	APPROVED	DATE		
		4/2/97		
	CAD FILE		CODE ID	DWG SIZE
	I:\CATV\FTYPE\531-40033		74868	B
			DRAWING NO.	REV
			531-40033	A