

4

3

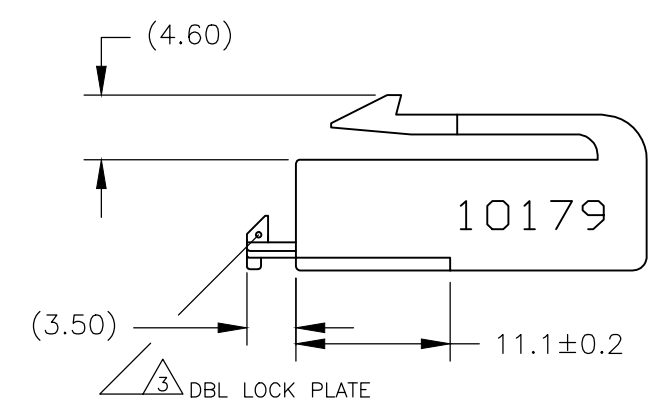
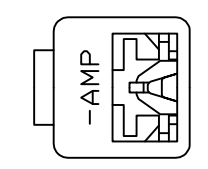
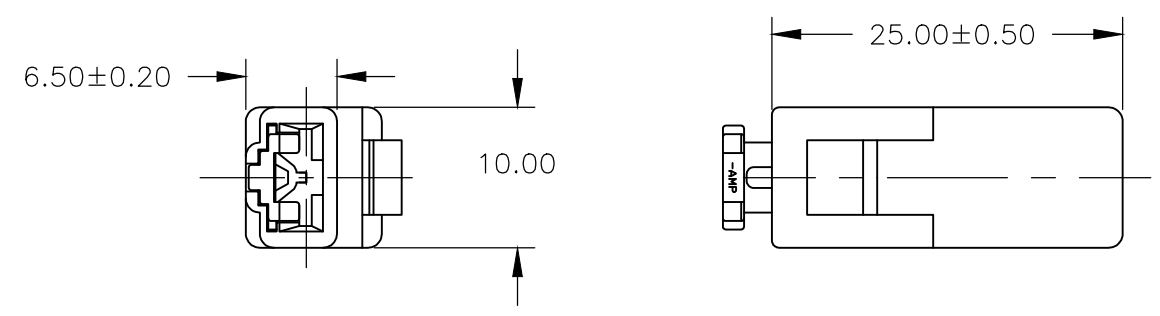
2

1

THIS DRAWING IS UNPUBLISHED. RELEASED FOR PUBLICATION
 © COPYRIGHT - By - ALL RIGHTS RESERVED.

REVISIONS				
P	LTR	DESCRIPTION	DATE	APVD
	A	REVISED PER ECR-15-016346	11MAY2016	NK LP

- 1 THE MATING COUNTER PART P/N (172127 etc.)
- 2 APPLIED CONTACT (170032,170258,170384)
- 3 DBL LOCK PLATE
MATERIAL: PBT
COLOR ; YELLOW



	6-176986-6	(LIGHT GRAY)
	176986-6	(GRAY)
	176986-5	(BLUE)
OBSOLETE	176986-4	(GREEN)
OBSOLETE	176986-3	(BROWN)
	176986-2	(BLACK)
	176986-1	(NATURAL)
COLOR SEE TABLE	(P/N)	(COLOR)

THIS DRAWING IS A CONTROLLED DOCUMENT.		DWN <i>T. Sogawa</i>	17SEP1990	STE TE Connectivity		
DIMENSIONS: mm		CHK <i>M. Sakuma</i>	17SEP1990			
TOLERANCES UNLESS OTHERWISE SPECIFIED:		APVD <i>H. Matsushita</i>	17SEP1990	NAME .250 SERIES DOUBLE LOCK CONNECTOR 1 POS. PLUG HOUSING		
0 PLC ± -		PRODUCT SPEC -		SIZE		
1 PLC ± 0.2		APPLICATION SPEC -		CAGE CODE		
2 PLC ± 0.25		WEIGHT -		DRAWING NO		
3 PLC ± 0.3		CUSTOMER DRAWING		RESTRICTED TO -		
4 PLC ± -		SCALE 2:1		SHEET 1 OF 1		
ANGLES ± 3°		SHEET 1 OF 1		REV A		
MATERIAL 6/6 NYLON		FINISH -		A3 00779 C-176986		