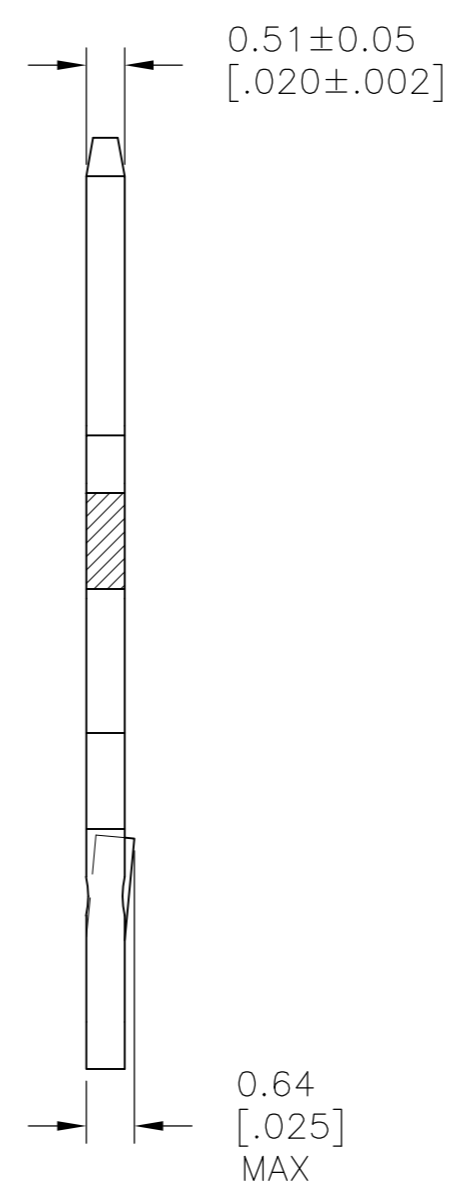
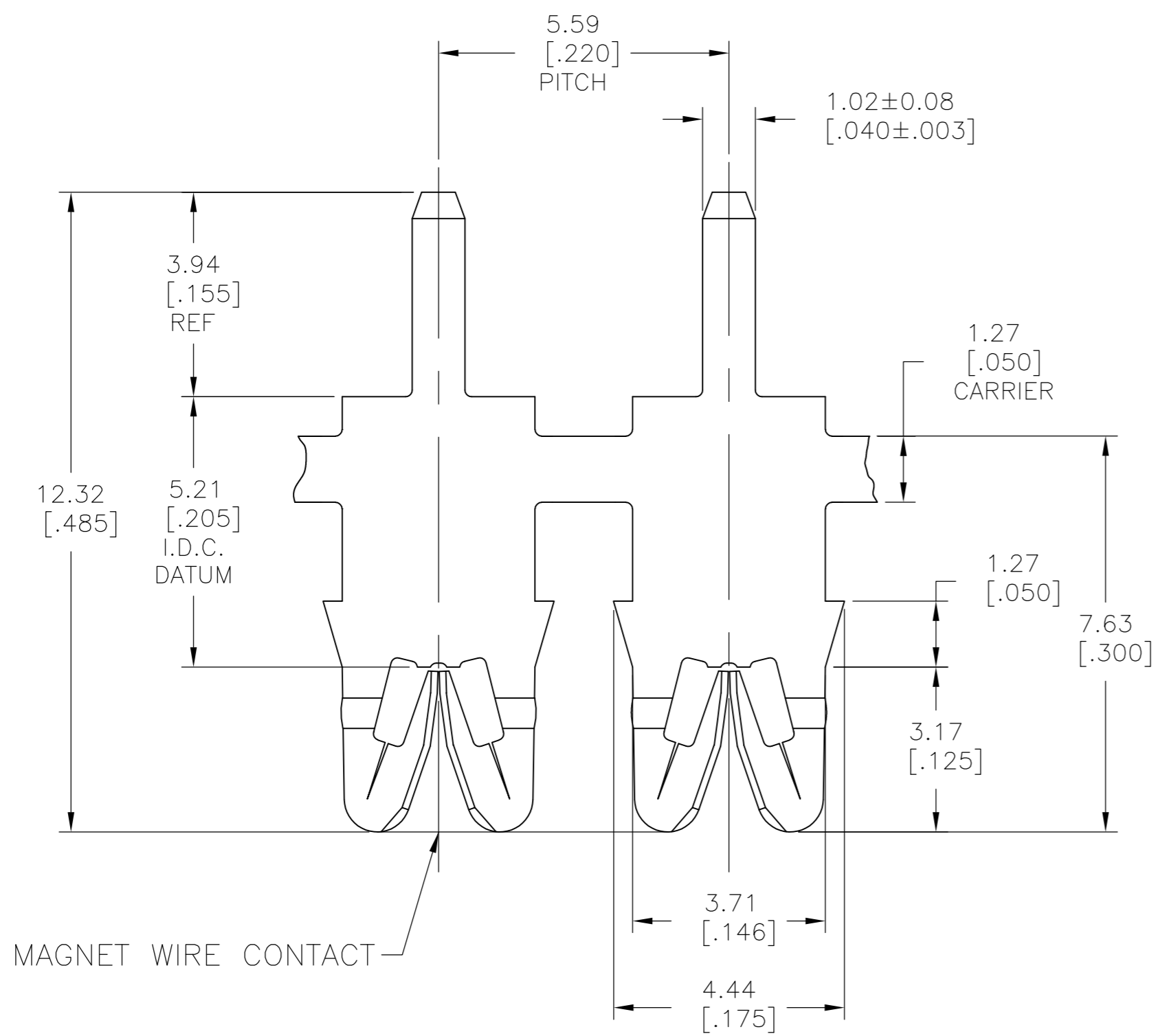
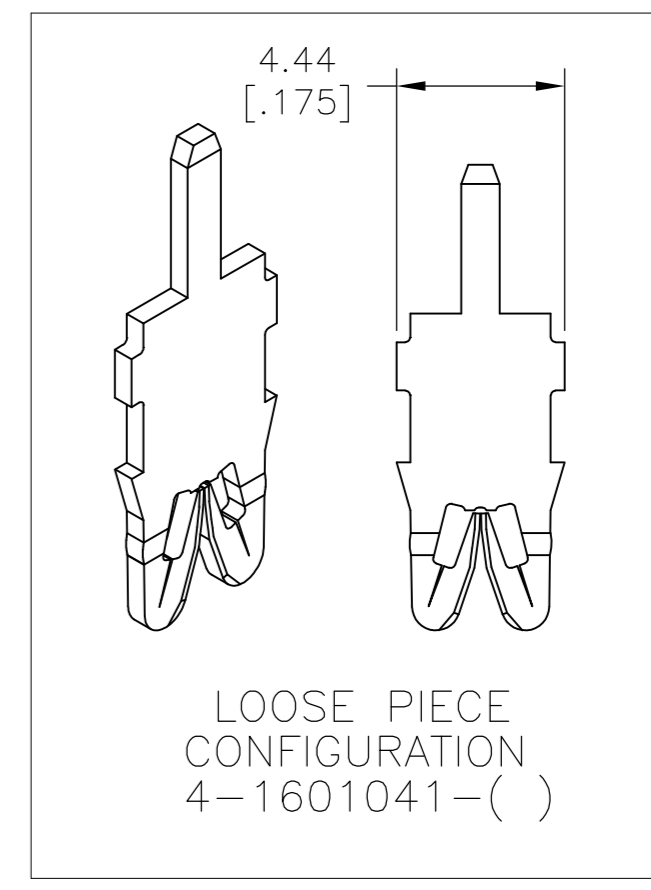


THIS DRAWING IS UNPUBLISHED. RELEASED FOR PUBLICATION  
 © COPYRIGHT BY TYCO ELECTRONICS CORPORATION. ALL INTERNATIONAL RIGHTS RESERVED.

LOC	DIST	REVISIONS			
P	LTR	DESCRIPTION	DATE	DWN	APVD
AF	50	E2	REVISED PER ECR-10-013120	24JUN10	HMR GJ



- SPECIFICATIONS:  
MAGNET WIRE #18 - #34 AWG,  
1.02[040] - 0.16[.006] DIA COPPER.  
OTHER SIZES MAY BE ACCOMMODATED,  
CONSULT TYCO ELECTRONICS FOR APPROVAL.
- POCKET RECOMMENDATION: #1601425
- TERMINAL APPLICATION TO COMPLY WITH TYCO ELECTRONICS SPECIFICATION 114-13166 FIGURE 7.
- TWO(2) TERMINALS SHOWN FOR ILLUSTRATION PURPOSES ONLY.



	POST TIN PLATE OVER NICKEL	-	4-1601041-3
	POST TIN PLATE OVER NICKEL	-	1601041-3
SUPERSEDED BY 4-1601041-3	SELECTIVE POST TIN LEAD PLATE OVER NICKEL	031-087-024	4-1601041-2
	UNPLATED	031-087-000	4-1601041-1
SUPERSEDED BY 1601041-3	SELECTIVE POST TIN LEAD PLATE OVER NICKEL	131-087-024	1601041-2
	UNPLATED	131-087-000	1601041-1
	FINISH	REFERENCE PART NUMBER	TE PART NUMBER
THIS DRAWING IS A CONTROLLED DOCUMENT.		Tyco Electronics Corporation Harrisburg, PA 17105-3608	
DWN J.WELLER 11JAN2002 CHK M.FEHER 11JAN2002 APVD K.RANDOLPH 11JAN2002		NAME	
DIMENSIONS: mm [INCHES]		PRODUCT SPEC 108-2085	
TOLERANCES UNLESS OTHERWISE SPECIFIED: 0 PLC ± - 1 PLC ± - 2 PLC ± 0.13[.005] 3 PLC ± - 4 PLC ± - ANGLES ± 2°		APPLICATION SPEC 3	
MATERIAL BRASS, SPRING HARD	FINISH SEE TABLE	WEIGHT -	SIZE A2
CUSTOMER DRAWING		CAGE CODE 00779	DRAWING NO C=1601041
		SCALE 10:1	SHEET 1 OF 1
		REV E2	RESTRICTED TO -