

Data sheet

Keystone IP44 surface mounted housing unequipped

Page 1/5

P/N

1309430003KE

EAN 4250184167044

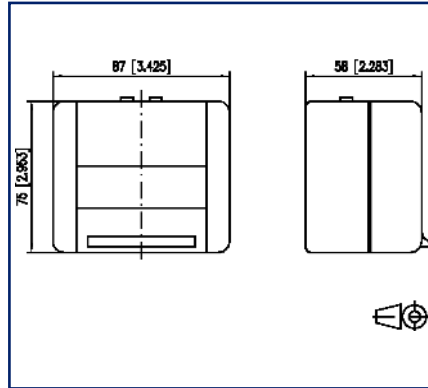
2023/04/24

Version: Q

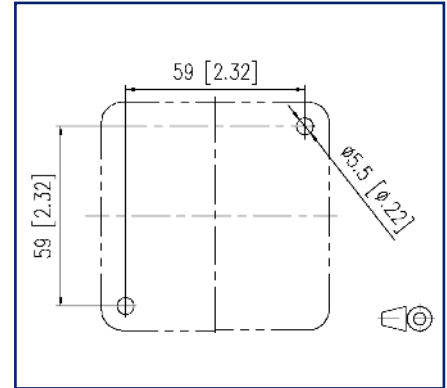
Illustrations



Dimensional drawing



Drill pattern



See enlarged drawings at the end of document

Product specification

- IP44 surface mount housing for two individual modules in Keystone design
- IP44 protection only when closed (without plugged patch cable)
- cable feed for one or two cables from the top
- break-proof
- gray color



Keystone IP44 surface mounted housing unequipped

P/N

1309430003KE

EAN 4250184167044

2023/04/24

Version: Q

Technical Data

General Data

Fields of application	office areas
Mechanical measurement according to MICE	M1
Ingress measurement according to MICE	I1
Climatic measurement according to MICE	C1
Electromagnetic measurement according to MICE	E3
Design	wall outlet
Mounting style	AP
Color	gray
Dimensions	
Dimension (L x W x H)	55 mm x 76 mm x 188 mm
Dimension (L x W x H)	2.165 in. x 2.992 in. x 7.402 in.
Modularity	yes
Labeling option	on housing

Connections/interfaces

Number of ports interface 2	2
Number of ports interface 2 equipped	0
Module plug-in direction	straight
Cable access/outlet	90° from the top

Mechanical data

Cut-out	Keystone
---------	----------

Materials and material properties

Material - Housing	Thermoplastic
Halogen free	yes
RoHS	compliant

Classifications

ETIM 5.0	EC001264
ETIM 6.0	EC001264
ETIM 7.0	EC001264
ETIM 8.0	EC001264
ETIM 9.0	EC001264

P | Cabling

Data sheet

Page 3/5

Keystone IP44 surface mounted housing unequipped

P/N

1309430003KE

EAN 4250184167044

2023/04/24

Version: Q

Technical Data

Packing details

Type of packaging	10 pc(s) / box
Packaging unit - Weight (gram)	135 g
Packaging unit - Weight (pound)	0.3 lb
Packaging dimension	115 mm x 93 mm x 90 mm
Packaging dimension	4.528 in. x 3.661 in. x 3.543 in.



P | Cabling

Data sheet

Page 4/5

Keystone IP44 surface mounted housing unequipped

P/N

1309430003KE

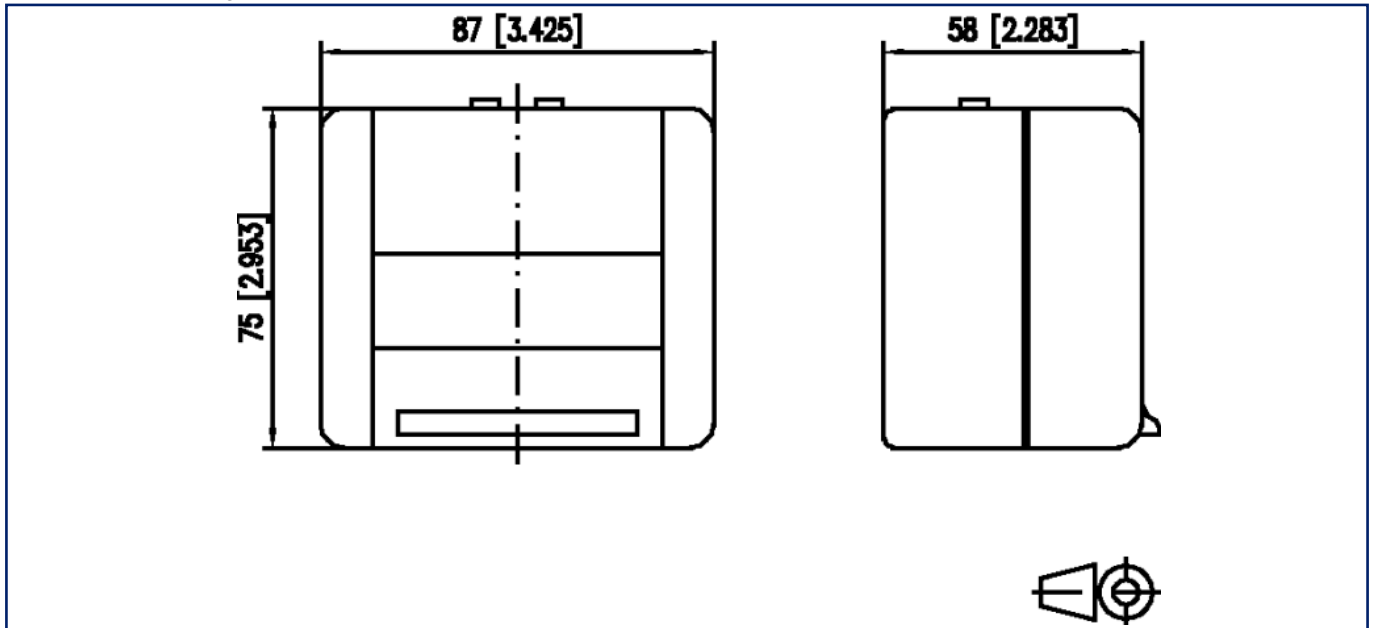
EAN 4250184167044

2023/04/24

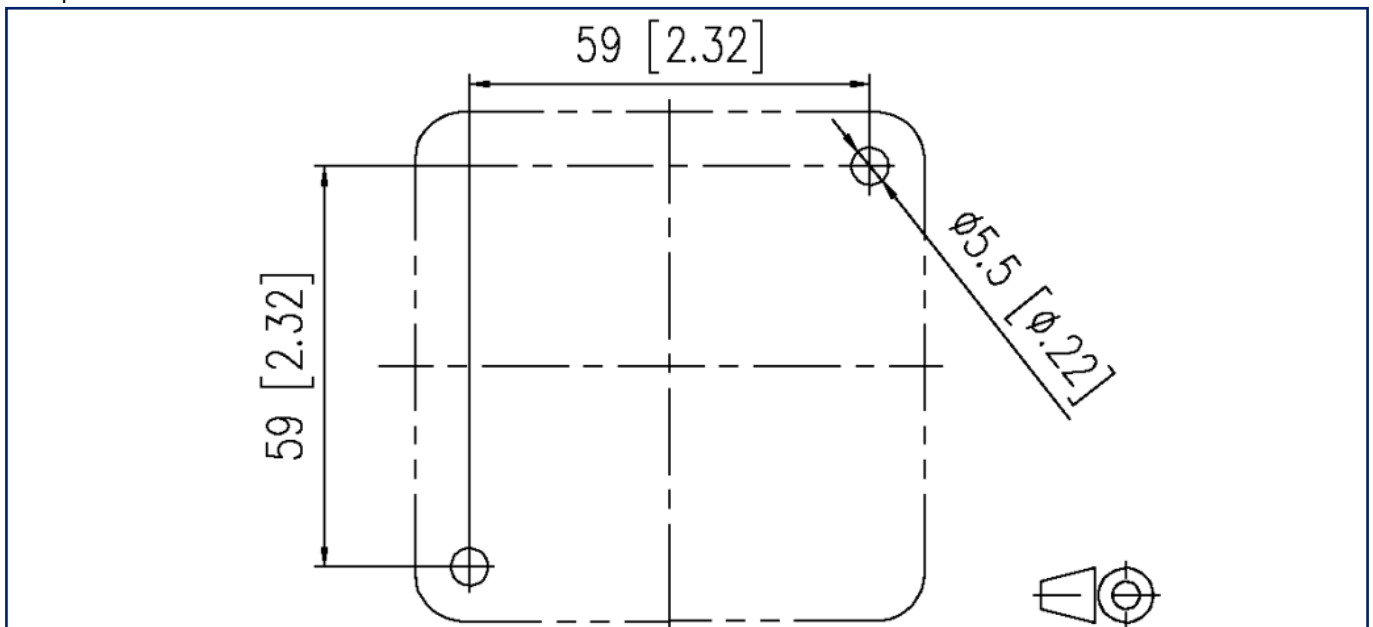
Version: Q

Illustrations

Dimensional drawing



Drill pattern



P | Cabling

Data sheet

Page 5/5

Keystone IP44 surface mounted housing unequipped

P/N

1309430003KE

EAN 4250184167044

2023/04/24

Version: Q

Illustrations

Cut-out

