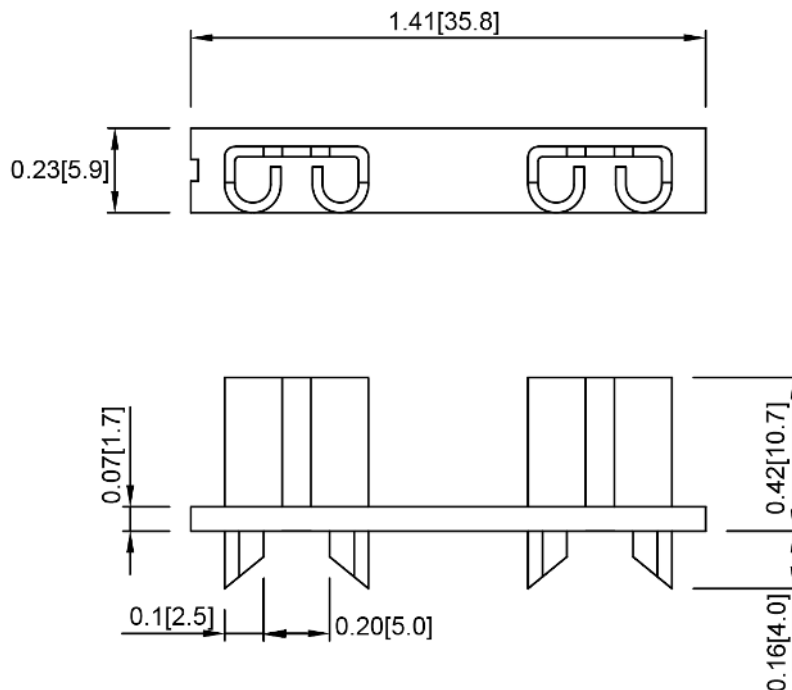
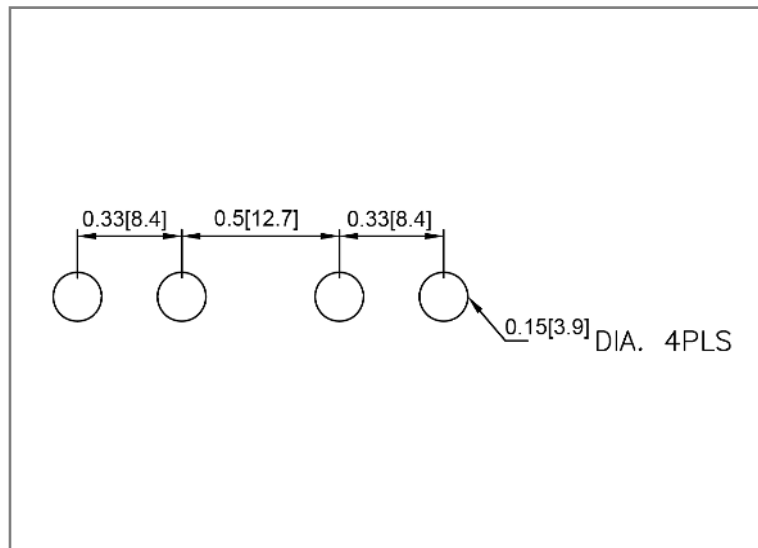


Mechanical Dimensions: Inches [mm]



Mounting Hole



Part Numbers Information

P/N	Clip Material	Clip Plating	Current Rating
CNX-02	Phosphor Bronze	Bright Tin	80A
CNX-02-MT	Phosphor Bronze	Matte Tin	80A

Electrical Specifications

Voltage Rating	500VAC / 250VDC
Contact Resistance	DC 1A 5mΩ Max
Insulation Resistance	DC 500V 100MΩ Min
Dielectric Strength	AC 1500V 1 minute
Operation Temperature	-50° C ~ 145° C

Material Specifications

Molded Parts Material	Nylon with Fiberglass (UL94V-0)
Insertion & Extraction Force	>1kg

Rev Date of issue Revision Notes

Designed Approved

A	04-26-2021	Initial Drawing	RC	OF
---	------------	-----------------	----	----