

10

9

8

7

5

4

3

2

79576

MATERIAL #	APPLICATION	AWG	LENGTH(M)	TOL(+/-)	PIN OUT
79576-3000	IPASS ON BP	30	0.152	0.015	PIN OUT 1
79576-3001	IPASS ON BP	30	0.3	0.015	PIN OUT 1
79576-3002	IPASS ON BP	30	0.5	0.015	PIN OUT 1
79576-3006	IPASS ON BP	30	0.6	0.015	PIN OUT 1
79576-3007	IPASS ON BP	28	1	0.030	PIN OUT 1
79576-3008	IPASS ON CTRL	30	0.152	0.015	PIN OUT 2
79576-3009	IPASS ON CTRL	30	0.3	0.015	PIN OUT 2
79576-3003	IPASS ON CTRL	30	0.5	0.015	PIN OUT 2
79576-3004	IPASS ON CTRL	30	0.6	0.015	PIN OUT 2
79576-3005	IPASS ON CTRL	28	1	0.030	PIN OUT 2
79576-3010	IPASS ON CTRL	28	0.178	0.015	PIN OUT 2
79576-3011	IPASS ON CTRL	28	0.267	0.015	PIN OUT 2
79576-3012	IPASS ON BP	30	0.2	0.015	PIN OUT 1

NOTES:

1. MATERIAL:

OVER MOLD - POLYBUTYLENE TEREPHTHALATE (PBT), 94-V0,
GLASS FILLED 30%.

LATCH - STAINLESS STEEL ALLOY.

CABLE -

SIGNALS PVC INSULATION

SOLID COPPER SIGNAL AND DRAIN.

INNER DIELECTRIC IS POLYOLEFIN

TWIN-AX SHIELD IS ALUMINIZED POLYESTER FOIL.

PCB - FR4

2. PRODUCT TO PERFORM PER

PRODUCT SPECIFICATION: PS-79536-001.

3. PRODUCT SERIES 74562 MATES TO 75783 (RIGHT ANGLE),
75784 (VERTICAL).4. THIS PRODUCT CONFORMS TO THE MECHANICAL
DIMENSIONING AND ELECTRICAL PERFORMANCE
REQUIREMENTS OF SFF-8086 AND SFF-8087.

5. MINIMUM RECOMMENDED BEND RADIUS 28 MM.

6. PIN OUT CONFORMS TO SAS 1.1 9.00

SECTION 5.2.4.1.3.3 F83

7. PRODUCT IS RoHS COMPLIANT.

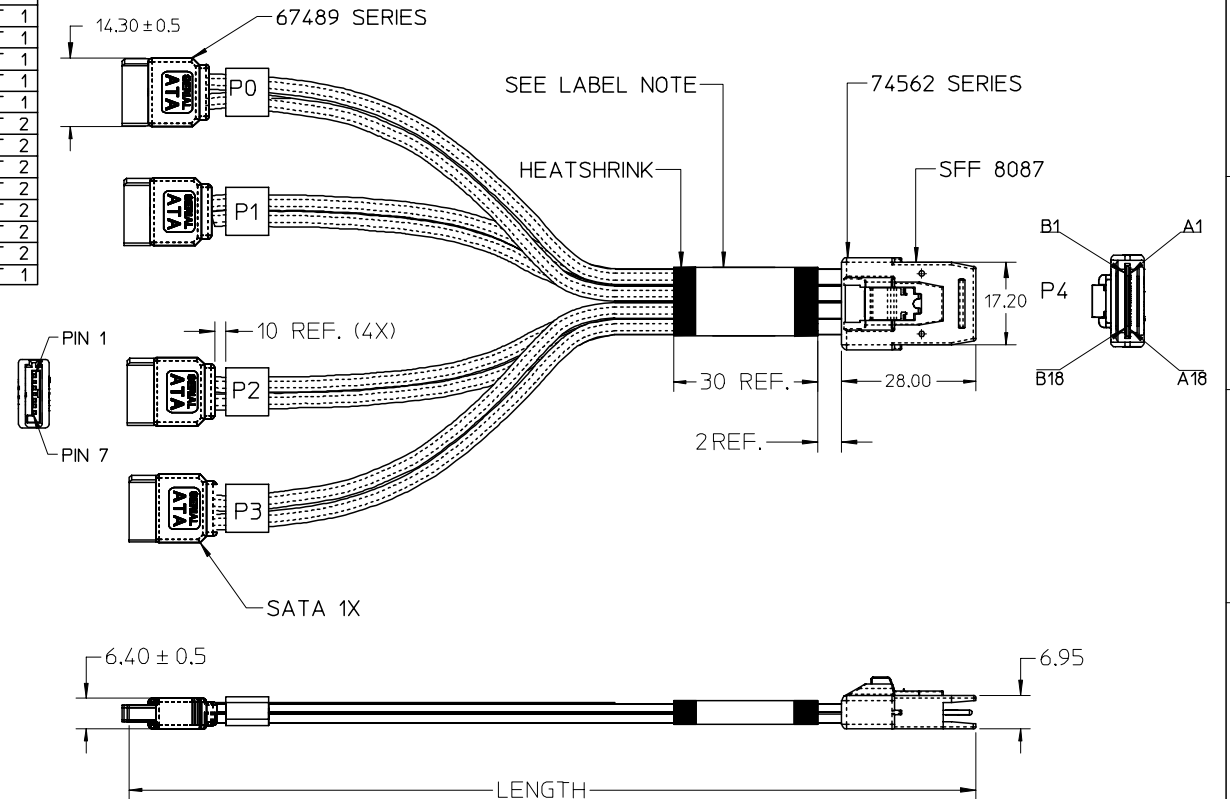
8. LABEL DETAIL:

MOLEX

79576-30XX

MADE IN CHINA

YY/WW



MOLEX
79576-30XX
MADE IN CHINA
YY/WW

IPASS™ IS A TRADEMARK OF MOLEX

ENTER DESCRIPTION EC NO: USY2007-0360 DRWN: SNAVARRO 2007/03/27 CHKD: PSYTSWA 2007/03/28 APPR: DDOYE 2007/03/28	QUALITY SYMBOLS ▽=0 ▽=0	GENERAL TOLERANCES (UNLESS SPECIFIED)		DIMENSION STYLE	SCALE	DESIGN UNITS	THIRD ANGLE PROJECTION	
		mm	INCH	MM/IN	1:1	METRIC		
REVISIONS REV	DESCRIPTION	4 PLACES	± ---	± ---	DRAWN BY	DATE	TITLE IPASS CABLE ASSY 36 CKT TO SATA FANOUT CABLE	
		3 PLACES	± ---	± .01	JERWIN	2005/11/21		
		2 PLACES	± 0.25	± ---	CHECKED BY	DATE		
		1 PLACE	± ---	± ---	THALL	2005/11/21		
		ANGULAR ± 1 °		APPROVED BY	DATE	MATERIAL NO.		DOCUMENT NO.
DRAFT WHERE APPLICABLE MUST REMAIN WITHIN DIMENSIONS		SEE CHART		DDOYE	2005/11/21	MOLEX INCORPORATED	SD-79576-300	1 OF 3
THIS DRAWING CONTAINS INFORMATION THAT IS PROPRIETARY TO MOLEX INCORPORATED AND SHOULD NOT BE USED WITHOUT WRITTEN PERMISSION								

9

8

7

6

5

4

3

2

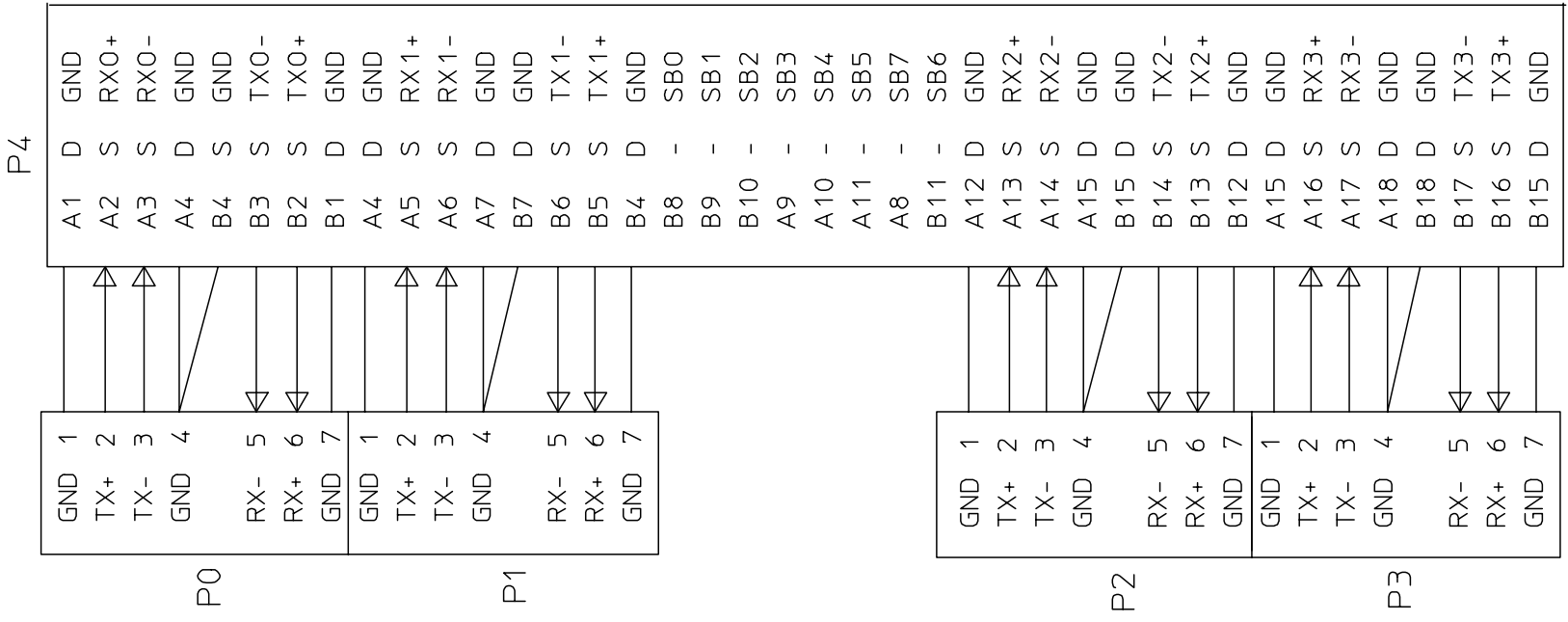
1

6 5 4 3 2 1

NOTE:

1. PIN OUT CONFORMS TO SAS 1.1 09D SECTION 5.2.3.2.3.3 FIG 83 AND SECTION 5.2.3.2.3.3 TBL 27
2. ALL SIGNAL GROUNDS ARE BUSSED IN PCB

PIN OUT 1



IPASS™ IS A TRADEMARK OF MOLEX.

NOTE:

- 1) D = DRAIN WIRE
- S = SIGNAL WIRE

ENTER DESCRIPTION EC NO: USY2007-0360 DRWN: SNAVARRO 2007/03/27 CHKD: PSYTSMA 2007/03/28 APPR: DDOYE 2007/03/28	
REV	DESCRIPTION

QUALITY SYMBOLS	= 0.05 = 0.1
-----------------	-----------------

GENERAL TOLERANCES (UNLESS SPECIFIED)																
	<table border="1"> <tr> <th></th> <th>mm</th> <th>INCH</th> </tr> <tr> <td>4 PLACES</td> <td>± .05</td> <td>± .002</td> </tr> <tr> <td>3 PLACES</td> <td>± .03</td> <td>± .001</td> </tr> <tr> <td>2 PLACES</td> <td>± 0.25</td> <td>± .010</td> </tr> <tr> <td>1 PLACE</td> <td>± .125</td> <td>± .005</td> </tr> </table>		mm	INCH	4 PLACES	± .05	± .002	3 PLACES	± .03	± .001	2 PLACES	± 0.25	± .010	1 PLACE	± .125	± .005
	mm	INCH														
4 PLACES	± .05	± .002														
3 PLACES	± .03	± .001														
2 PLACES	± 0.25	± .010														
1 PLACE	± .125	± .005														
ANGULAR ± 1 °																
DRAFT WHERE APPLICABLE MUST REMAIN WITHIN DIMENSIONS																

DIMENSION STYLE		SCALE	DESIGN UNITS	THIRD ANGLE PROJECTION
MM/IN		1:1	METRIC	
DRAWN BY	DATE	TITLE		
JERWIN	2005/11/21	IPASS CABLE ASSY		
CHECKED BY	DATE	36 CKT TO SATA		
THALL	2005/11/21	FANOUT CABLE		
APPROVED BY	DATE	MOLEX INCORPORATED		
DDOYE	2005/11/21	DOCUMENT NO.		
MATERIAL NO.	SEE CHART	SD-79576-300		
SIZE	THIS DRAWING CONTAINS INFORMATION THAT IS PROPRIETARY TO MOLEX INCORPORATED AND SHOULD NOT BE USED WITHOUT WRITTEN PERMISSION		SHEET NO.	
A			2 OF 3	

6

5

4

3

2

1

NOTE:

- 1. NON-STANDARD PIN OUT WITH SATA BACKPLANE CONNECTORS TWISTED
- 2. ALL SIGNAL GROUNDS ARE BUSSED IN PCB.

D

D

C

C

B

B

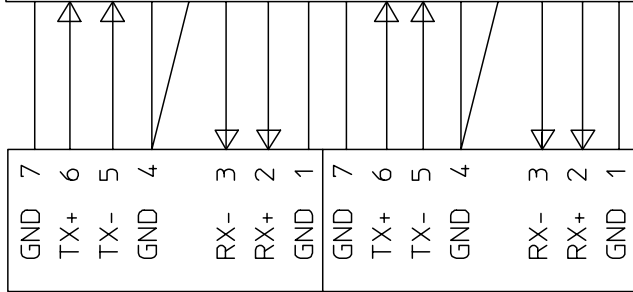
A

A

PIN OUT 2

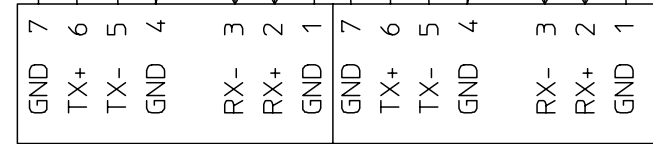
P4

GND	RX0+	RX0-	GND	GND	TX0-	TX0+	GND	GND	RX1+	RX1-	GND	GND	TX1-	TX1+	GND	SB0	SB1	SB2	SB3	SB4	SB5	SB7	SB6	GND	RX2+	RX2-	GND	GND	TX2-	TX2+	GND	GND	RX3+	RX3-	GND	GND	TX3-	TX3+	GND
A1	A2	A3	A4	B4	B3	B2	B1	A4	A5	A6	A7	B7	B6	B5	B4	B8	B9	B10	A9	A10	A11	A8	B11	A12	A13	A14	A15	B15	B14	B13	B12	A15	A16	A17	A18	B18	B17	B16	B15
D	S	S	D	S	S	S	D	D	S	S	D	D	S	S	D	-	-	-	-	-	-	-	-	D	S	S	D	D	S	S	D	D	S	S	D	D	S	S	D



P0

P1



P2

P3

IPASS™ IS A TRADEMARK OF MOLEX.

NOTE:

- 1) D = DRAIN WIRE
- S = SIGNAL WIRE

ENTER DESCRIPTION	QUALITY SYMBOLS
EC NO: USY2007-0360	▽=0
DRWN: SNAVARRO 2007/03/27	▽=0
CHKD: PSYTSMA 2007/03/28	
APPR: DDOYE 2007/03/28	
REV	DESCRIPTION

GENERAL TOLERANCES (UNLESS SPECIFIED)	mm	INCH
	4 PLACES ± ---	± ---
	3 PLACES ± ---	± .01
	2 PLACES ± 0.25	± ---
	1 PLACE ± ---	± ---
ANGULAR ± 1 °		
DRAFT WHERE APPLICABLE MUST REMAIN WITHIN DIMENSIONS		

DIMENSION STYLE		SCALE	DESIGN UNITS	THIRD ANGLE PROJECTION
MM/IN		1:1	METRIC	
DRAWN BY	DATE	TITLE		
JERWIN	2005/11/21	IPASS CABLE ASSY 36 CKT TO SATA FANOUT CABLE		
CHECKED BY	DATE	MOLEX INCORPORATED		
THALL	2005/11/21	DOCUMENT NO. SD-79576-300		
APPROVED BY	DATE	SHEET NO. 3 OF 3		
DDOYE	2005/11/21	THIS DRAWING CONTAINS INFORMATION THAT IS PROPRIETARY TO MOLEX INCORPORATED AND SHOULD NOT BE USED WITHOUT WRITTEN PERMISSION		
MATERIAL NO.	SEE CHART			

5

4

3

2

1