

# SACC-M12FSK-4PECT-CL SH - Power connector



1027476

<https://www.phoenixcontact.com/pc/products/1027476>

Please be informed that the data shown in this PDF document is generated from our online catalog. Please find the complete data in the user documentation. Our general terms of use for downloads are valid.



Power connector, Power, 5-position, shielded, Socket straight M12, K, Crimp connection, knurl material: Zinc die-cast, tin-plated, external cable diameter 8 mm ... 13 mm, without crimp contacts, Contact 5 leading

## Your advantages

- Extremely compact, thanks to the small wiring space and high contact density
- Safely shielded: reliable shield connection even under extreme mechanical strain
- Robust connection: suitable for railway applications with high shock and vibration loads
- High-performance: AC connectors for up to 16 A and 690 V AC
- Protected seal in the M12 socket
- Protection against mismatching, thanks to special K-coding

## Commercial data

Item number	1027476
Packing unit	1 pc
Minimum order quantity	1 pc
Product key	BF2CJB
Catalog page	Page 279 (C-2-2019)
GTIN	4055626521121
Weight per piece (including packing)	47.2 g
Weight per piece (excluding packing)	22.22 g
Customs tariff number	85366990
Country of origin	DE

# SACC-M12FSK-4PECT-CL SH - Power connector



1027476

<https://www.phoenixcontact.com/pc/products/1027476>

## Technical data

### Notes

General	<b>NOTE:</b> Observe the permissible bending radii when laying conductors, since the degree of protection may be put in jeopardy if the bending forces are too high. Alleviate mechanical loads upstream of the connector, e.g. by using cable ties.
---------	--

### Mounting

Connection method	Crimp connection
-------------------	------------------

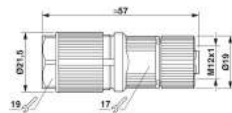
### Product properties

Product type	Circular connector (cable-side)
Sensor type	Power
Number of positions	5
Application	Power supply
No. of cable outlets	1
Shielded	yes
Coding	K
Cable outlet	straight

### Insulation characteristics

Overvoltage category	III
Degree of pollution	3

### Dimensions

Dimensional drawing	
Length	57 mm

### External dimensions

Outside diameter	8 mm ... 13 mm
------------------	----------------

### Housing

Diameter housing	21.5 mm
------------------	---------

### Material specifications

Flammability rating according to UL 94	V0
Material of grip body	Zinc die-cast, nickel-plated
Contact carrier material	PA
Material for screw connection	Zinc die-cast, tin-plated

### Connection data

# SACC-M12FSK-4PECT-CL SH - Power connector



1027476

<https://www.phoenixcontact.com/pc/products/1027476>

## Conductor connection

Connection method	Crimp connection
Connection cross section	1.5 mm <sup>2</sup> ... 2.5 mm <sup>2</sup> (flexible)
Connection cross section AWG	14 (flexible)
Tightening torque	0.6 Nm (M12 knurl) 5 Nm (Pressure nut with coupling sleeve)

## Pin assignment

Contact   Color (signal designation)   Contact (optional)	1 = BK
	2 = BK
	3 = BK
	4 = BK
	PE = GNYE

## Electrical properties

Rated surge voltage	6 kV
Insulation resistance	≥ 100 MΩ
Nominal voltage U <sub>N</sub>	690 V AC
Nominal current I <sub>N</sub>	16 A (when using 2.5 mm <sup>2</sup> conductors) 16 A (at 40 °C)

## Mechanical properties

### Mechanical data

Insertion/withdrawal cycles	≥ 100
-----------------------------	-------

## Connector

### Connection 1

Head design	Socket
Head cable outlet	straight
Head thread type	M12
Coding	K

## Cable/line

Signal type/category	Power
----------------------	-------

## Environmental and real-life conditions

### Ambient conditions

Degree of protection	IP65
Ambient temperature (operation)	-40 °C ... 85 °C (Plug / socket)

## Standards and regulations

Standard designation	M12 connector
Standards/specifications	based on IEC 61076-2-111

# SACC-M12FSK-4PECT-CL SH - Power connector

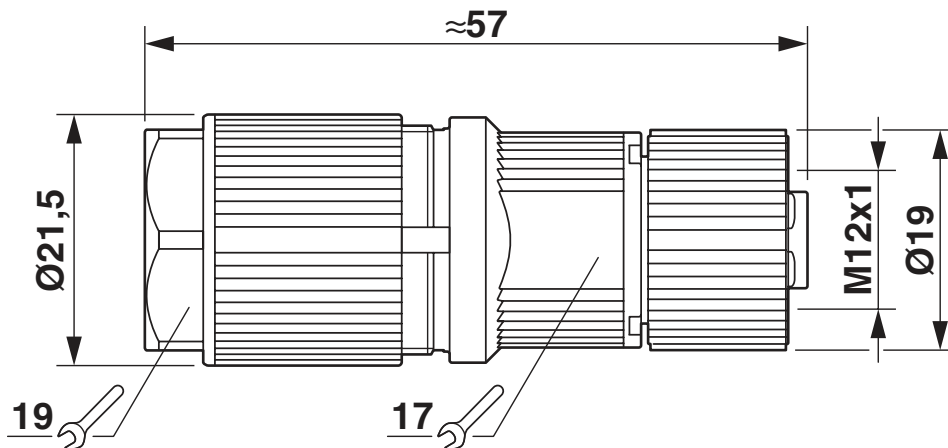


1027476

<https://www.phoenixcontact.com/pc/products/1027476>

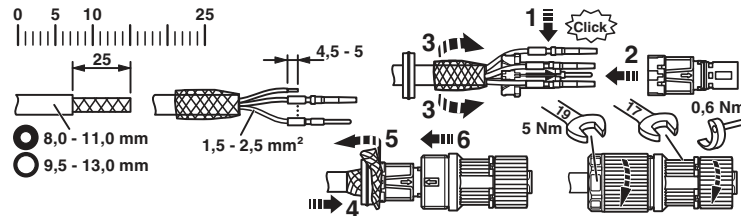
## Drawings

Dimensional drawing



M12 x 1 socket, straight, shielded

Functional drawing

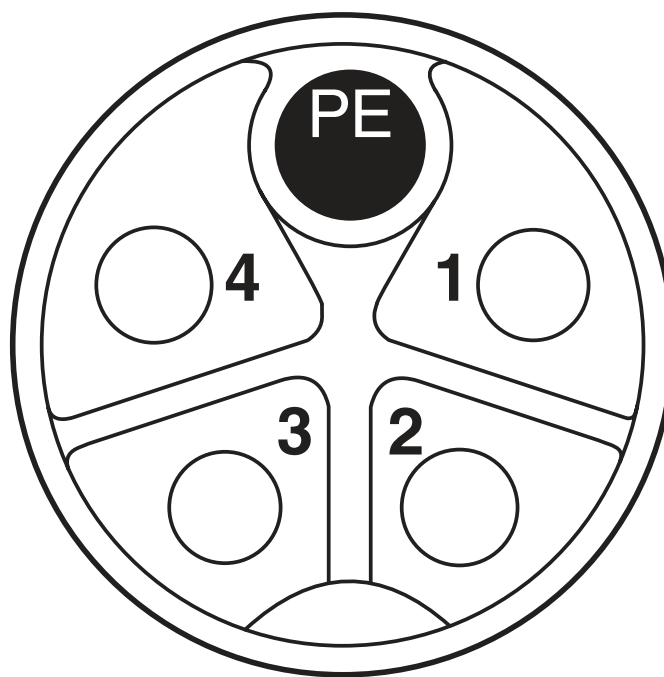


# SACC-M12FSK-4PECT-CL SH - Power connector

1027476

<https://www.phoenixcontact.com/pc/products/1027476>

Schematic diagram



Pin assignment of M12 socket, 4-pos.+PE, K-coded, socket side view

# SACC-M12FSK-4PECT-CL SH - Power connector



1027476

<https://www.phoenixcontact.com/pc/products/1027476>

## Approvals

To download certificates, visit the product detail page: <https://www.phoenixcontact.com/pc/products/1027476>



**EAC**

Approval ID: RU C-DE.BL08.B.00511



**cULus Recognized**

Approval ID: E468743

	Nominal voltage $U_N$	Nominal current $I_N$	Cross section AWG	Cross section $\text{mm}^2$
	600 V	13 A	- 14	-

# SACC-M12FSK-4PECT-CL SH - Power connector



1027476

<https://www.phoenixcontact.com/pc/products/1027476>

## Classifications

### ECLASS

ECLASS-11.0	27440102
ECLASS-12.0	27440116
ECLASS-13.0	27440116

### ETIM

ETIM 8.0	EC002635
----------	----------

### UNSPSC

UNSPSC 21.0	39121400
-------------	----------

# SACC-M12FSK-4PECT-CL SH - Power connector



1027476

<https://www.phoenixcontact.com/pc/products/1027476>

## Environmental product compliance

China RoHS	Environmentally friendly use period: unlimited = EFUP-e
	No hazardous substances above threshold values



# SACC-M12FSK-4PECT-CL SH - Power connector



1027476

<https://www.phoenixcontact.com/pc/products/1027476>

## Mandatory accessories

### CC1,5-TS-2,10F K/L AU - Crimp contact

1029396

<https://www.phoenixcontact.com/pc/products/1029396>



Crimp contact, contact diameter: 1.5 mm, turned, Socket, contact material: CuZn, contact surface: Ni/Au, connection cross section: 1.5 mm<sup>2</sup> ... 1.5 mm<sup>2</sup>, AWG 14

---

### CC1,5-TS-2,50F K/L AU - Crimp contact

1029392

<https://www.phoenixcontact.com/pc/products/1029392>



Crimp contact, contact diameter: 1.5 mm, turned, Socket, contact material: CuZn, contact surface: Ni/Au, connection cross section: 2.5 mm<sup>2</sup> ... 2.5 mm<sup>2</sup>, AWG 14 ... 14

# SACC-M12FSK-4PECT-CL SH - Power connector



1027476

<https://www.phoenixcontact.com/pc/products/1027476>

## CC1,5-TS-2,10MPE AU - Crimp contact

1029398

<https://www.phoenixcontact.com/pc/products/1029398>



Crimp contact, contact diameter: 1.5 mm, turned, Pin, contact material: CuZn, contact surface: Ni/Au, connection cross section: 1.5 mm<sup>2</sup> ... 1.5 mm<sup>2</sup>, AWG 14, for the PE or functional ground connection

---

## CC1,5-TS-2,50MPE AU - Crimp contact

1029389

<https://www.phoenixcontact.com/pc/products/1029389>



Crimp contact, contact diameter: 1.5 mm, turned, Pin, contact material: CuZn, contact surface: Ni/Au, connection cross section: 2.5 mm<sup>2</sup> ... 2.5 mm<sup>2</sup>, AWG 14 ... 14, for the PE or functional ground connection

# SACC-M12FSK-4PECT-CL SH - Power connector



1027476

<https://www.phoenixcontact.com/pc/products/1027476>

## CRIMPFOX-TC MP-6 - Crimping pliers with digital display

1202888

<https://www.phoenixcontact.com/pc/products/1202888>



Crimping tool, for turned contacts, universal cross-section setting, up to a maximum of 6.0 mm<sup>2</sup>, digital display with 0.01 mm increments, pressure lock can be unlocked, positioning tool necessary as an accessory for contact positioning

---

## Accessories

### CRIMPFOX-TC MP/LOC-1 - Spare locator

1142829

<https://www.phoenixcontact.com/pc/products/1142829>

Locator for CRIMPFOX-TC MP6



# SACC-M12FSK-4PECT-CL SH - Power connector



1027476

<https://www.phoenixcontact.com/pc/products/1027476>

## WIREFOX 2,5 - Stripping tool

1212368

<https://www.phoenixcontact.com/pc/products/1212368>



Stripping tool, for conductors and cables with a conductor cross section from 0.08 to 2.5 mm, self-adjusting, stripping length adjustable up to 15 mm, cutting capacity up to 6 mm<sup>2</sup> stranded/1.5 mm<sup>2</sup> solid

## WIREFOX-D 40 - Stripping tool

1212161

<https://www.phoenixcontact.com/pc/products/1212161>



Stripping tool, for stripping cables of 4.5 mm - 40 mm-Ø, insulation thickness of up to 4.5 mm, pivoting blade for round, lengthwise, and spiral cuts

Phoenix Contact 2023 © - all rights reserved  
<https://www.phoenixcontact.com>

PHOENIX CONTACT GmbH & Co. KG  
Flachsmarktstraße 8  
D-32825 Blomberg  
+49 (0) 5235-3 00  
[info@phoenixcontact.com](mailto:info@phoenixcontact.com)