

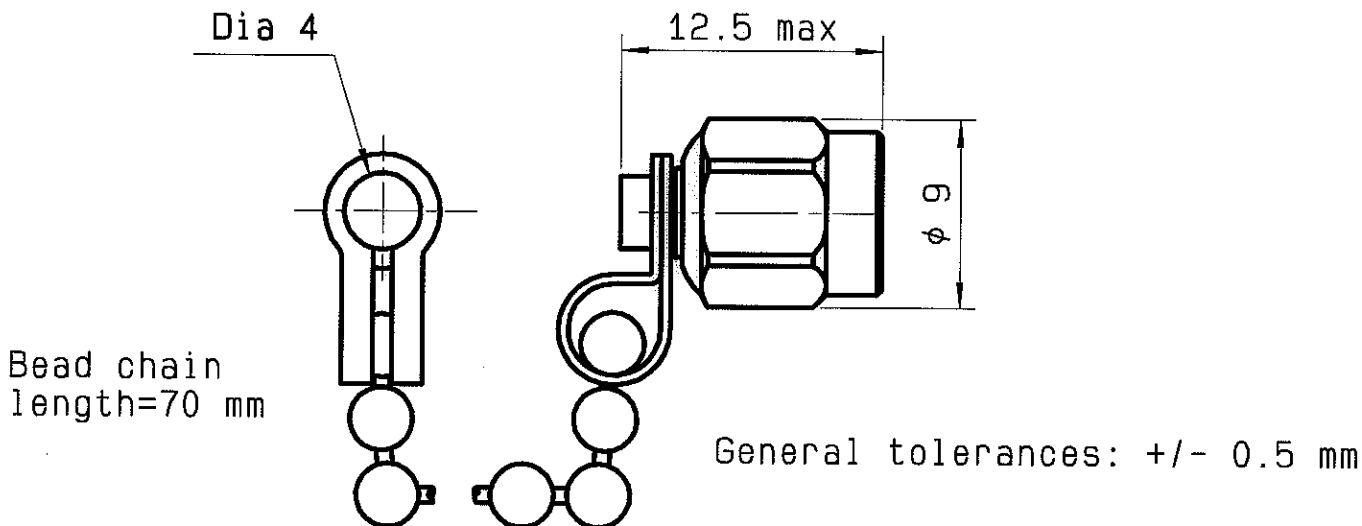


TITLE: 1 W 4GHz SMA/m COAXIAL TERMINATION

issue
18.feb.05

Page
1 / 2

DRAWING



MATERIALS AND FINISHES

- BODY : BRASS - NICKEL 2
- CONTACT : BRASS - OR 0.5 SUR NICKEL 1.5
- INSULATOR : TEFLON
- GASKET : SILICONE RUBBER
- CORD : BRASS - NICKEL 2
- SUBSTRATE : ALUMINA
- RESISTIVE MATERIAL : THICK FILM
- COUPLING NUT : BRASS - BBR

This information is given as an indication. In the continual goal to improve our products, we reserve the right to make any modifications judged necessary

4112-9212

CREATION N° : PEN/EP:CAT Name:KL Date:04.may.92 APP.:	09.jul.03	Change frequency range 2.5 GHz --> 4 GHz	AF	FG	RADIALL® 101. rue P. Hoffmann -Z.I Ouest- 93116 ROSNY/BOIS Cedex-FRANCE Phone:33(1)49353535 Fax :33(1)48546363 Tvx RADIA 235220F
	26.may.99	Typing error 11.5 --> 12.5	MG	AF	
	19.mar.99	Changed the body	SR	AF	
	01.jun.95	-25;+70° C --> -55;+125° C	LJ	VE	
	04.oct.92	New format	PG		
	ISSUE	REVISIONS	NAME	APPR.	

This information is given as an indication. In the continual goal to improve our products, we reserve the right to make any modifications judged necessary



RADIALL®
Microwave components

TECHNICAL DATA SHEET

R404101120

TITLE: 1 W 4GHZ SMA/m COAXIAL TERMINATION

issue
18.feb.05

Page
2/2

ELECTRICAL CHARACTERISTICS

FREQUENCY RANGE : DC - 4GHz
 IMPEDANCE : 50 Ohms
 DC RESISTANCE : 50 Ohms ± 5 %
 AVERAGE POWER HANDLING : 1 W at 25°C
 PEAK POWER HANDLING : 100W (1 μs, 1%.) at 25°C

V.S.W.R : DC - 1 GHz : ≤1.08
 1 - 4 GHz : ≤1.20

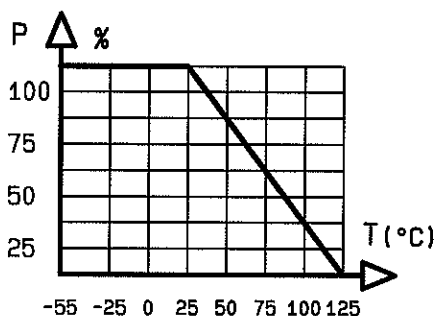
MECHANICAL CHARACTERISTICS

CONNECTOR : SMA male per MIL C 39012
 MAXIMUM WEIGHT : 8 grams
 MAXI COUPLING TORQUE : 60 cm/N
 CONNECTS OR DISCONNECTS : 100 Maxi

ENVIRONMENTAL CHARACTERISTICS

OPERATING TEMPERATURE RANGE (°C) : -55 ; +125
 STORAGE TEMPERATURE RANGE (°C) : -55 ; +125

Power derating
Versus temperature



4412-9212

CREATION						RADIALL® 101. rue P. Hoffmann -Z.I Ouest- 93116 ROSNY/BOIS Cedex-FRANCE Phone:33(1)49353535 Fax :33(1)48546363 Tvx RADIA 23520F
N° :						
PEN/EP:CAT						
Name:KL						
Date:04.may.92	16.juin.04	Added MATERIALS AND FINISHES	T.JL	VP		
APP.:	ISSUE	REVISIONS	NAME	APPR.		