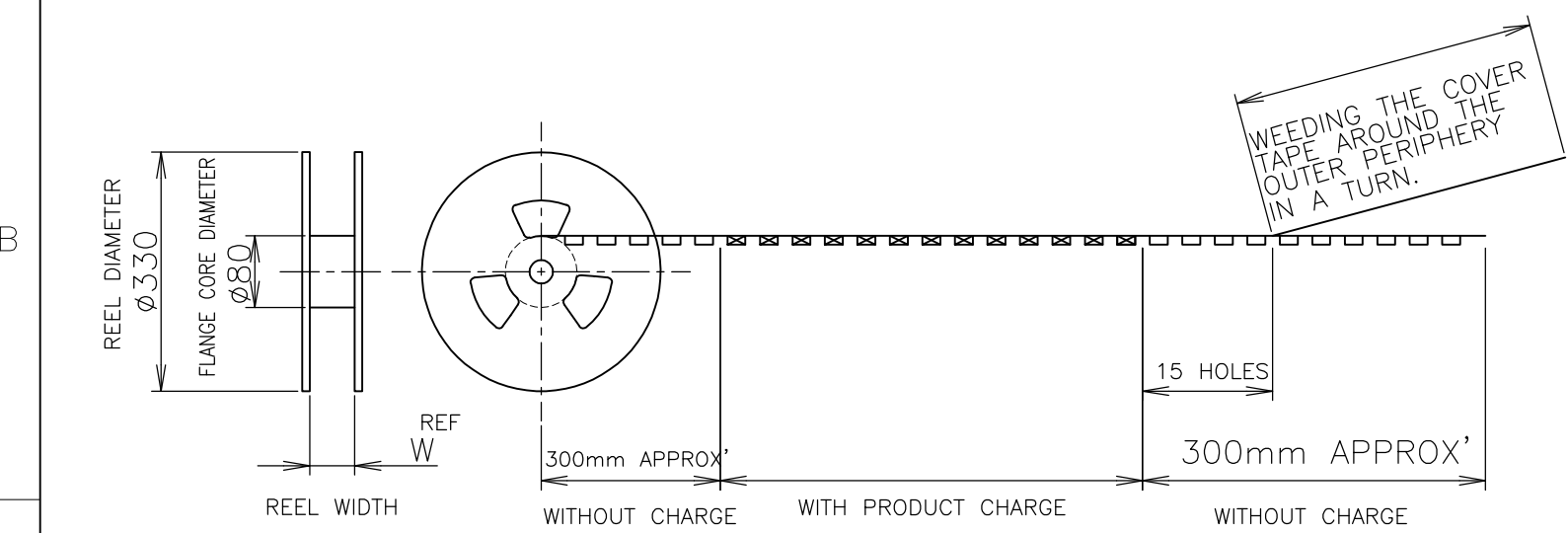
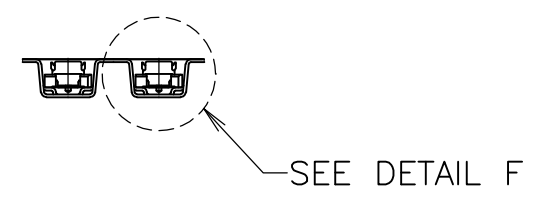
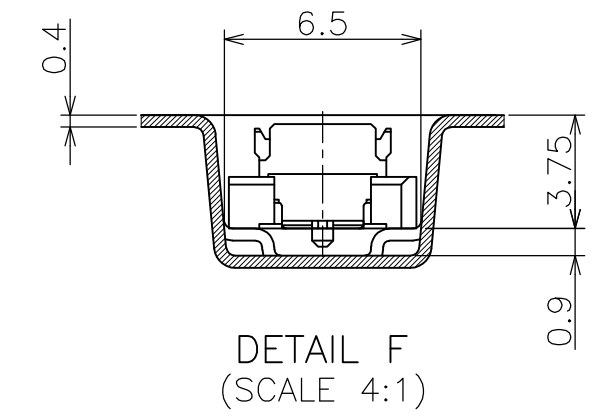
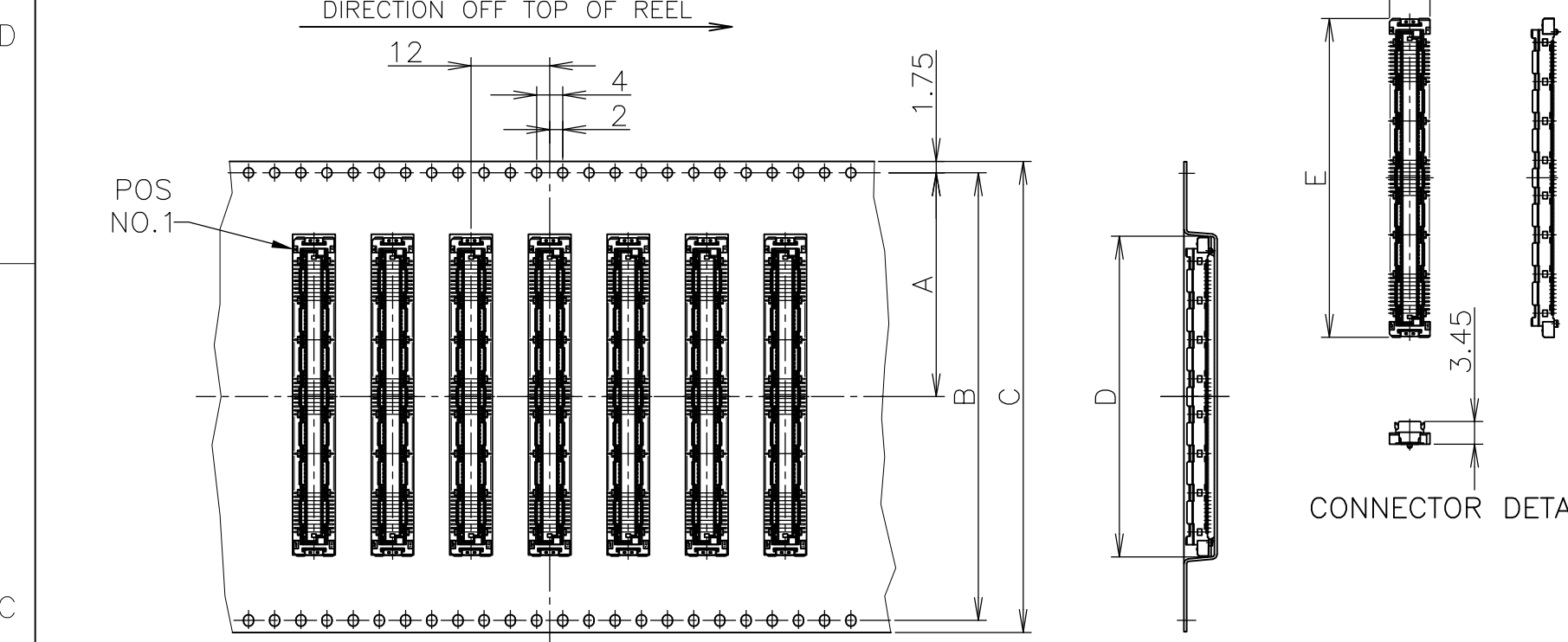


THIS DRAWING IS UNPUBLISHED. RELEASED FOR PUBLICATION JUN , 1996.
 © COPYRIGHT 1996 BY TYCO ELECTRONICS CORPORATION. ALL RIGHTS RESERVED.

LOC	DIST	REVISIONS			DATE	DWN	APVD
J		P	LTR	DESCRIPTION			
		E		REVISED ECR-07-031084	01FEB08	T.T	T.F



WEEDING THE COVER TAPE AROUND THE OUTER PERIPHERY IN A TURN.

SEALANT	NOT AVAILABLE	1000	77.5	54.7	55	72	68.4	34.2	160	6-353183-1
	AVAILABLE	↑	77.5	48.7	49	72	68.4	34.2	140	6- -0
	NOT AVAILABLE		61.5	42.7	43	56	52.4	26.2	120	5- -9
	AVAILABLE		61.5	36.7	37	56	52.4	26.2	100	5- -8
	NOT AVAILABLE		61.5	33.7	34	56	52.4	26.2	90	5- -7
	↑		49.5	30.7	31	44	40.4	20.2	80	5- -6
	↑		49.5	27.7	28	44	40.4	20.2	70	5- -5
	↑		49.5	24.7	25	44	40.4	20.2	60	5- -4
	↑		37.5	21.7	22	32	28.4	14.2	50	5- -3
	↑		37.5	18.7	19	32	28.4	14.2	40	5- -2
NON SEALANT	NOT AVAILABLE	1000	29.5	15.7	16	24	11.5	30	5-353183-1	
	NOT AVAILABLE	1000	77.5	54.7	55	72	68.4	34.2	160	1-353183-1
	AVAILABLE	↑	77.5	48.7	49	72	68.4	34.2	140	1- -0
	NOT AVAILABLE		61.5	42.7	43	56	52.4	26.2	120	-9
	AVAILABLE		61.5	36.7	37	56	52.4	26.2	100	-8
	NOT AVAILABLE		61.5	33.7	34	56	52.4	26.2	90	-7
	↑		49.5	30.7	31	44	40.4	20.2	80	-6
	↑		49.5	27.7	28	44	40.4	20.2	70	-5
	↑		49.5	24.7	25	44	40.4	20.2	60	-4
	↑		37.5	21.7	22	32	28.4	14.2	50	-3
SEALANT	↑		37.5	18.7	19	32	28.4	14.2	40	-2
	NOT AVAILABLE	1000	29.5	15.7	16	24	11.5	30	353183-1	

THIS PRODUCT WAS COATED BY FLUX-PENETRATION -INHIBITING AGENT.

THIS DRAWING IS A CONTROLLED DOCUMENT.

DIMENSIONS: 単位: 耗 mm	TOLERANCES UNLESS OTHERWISE SPECIFIED: 一般公差
0 PLC	± 0.2
1 PLC	± 0.2
2 PLC	± 0.2
3 PLC	± 0.2
4 PLC	± 0.2
ANGLES	± 5'
MATERIAL 材料	FINISH 仕上

DWN	T.KUSUHARA	06JUN96
CHK	I.ENOMOTO	06JUN96
APVD	Y.YOSHIMURA	06JUN96
PRODUCT SPEC	製品規格	108-5468
APPLICATION SPEC	取付適用規格	
WEIGHT		

OBsolete Tyco Electronics Corporation
 Kawasaki, Japan

NOT the LATEST REVISION

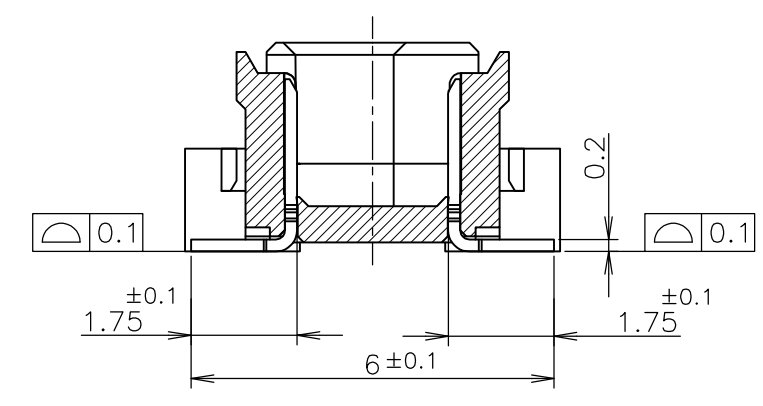
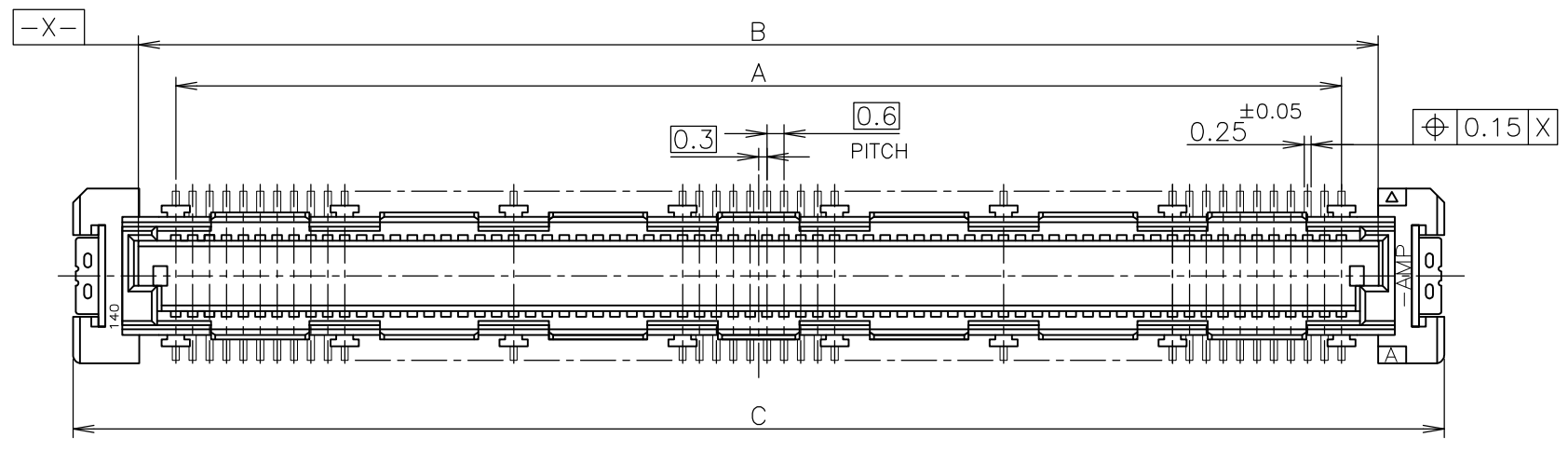
EMBOSS ASSY
 FH 0.6BTB CONNECTOR
 PLUG 4H STD TYPE

SIZE	CAGE CODE	DRAWING NO	RESTRICTED TO
A3	00779	G-353183	番号

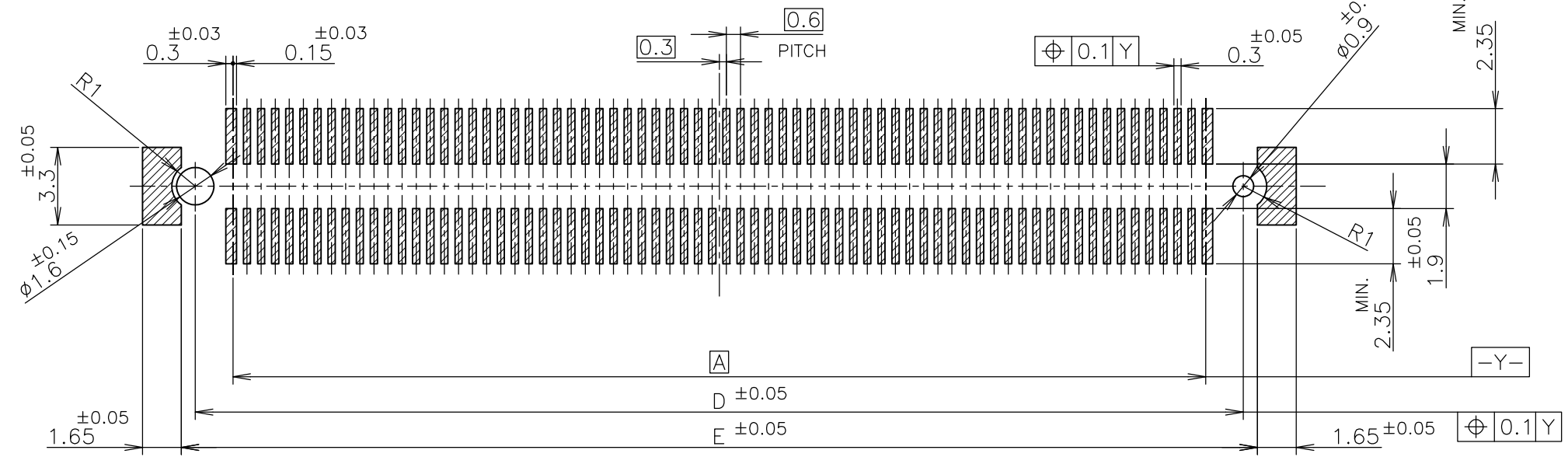
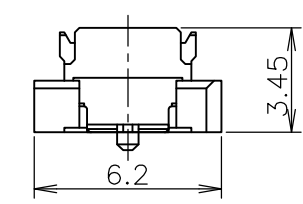
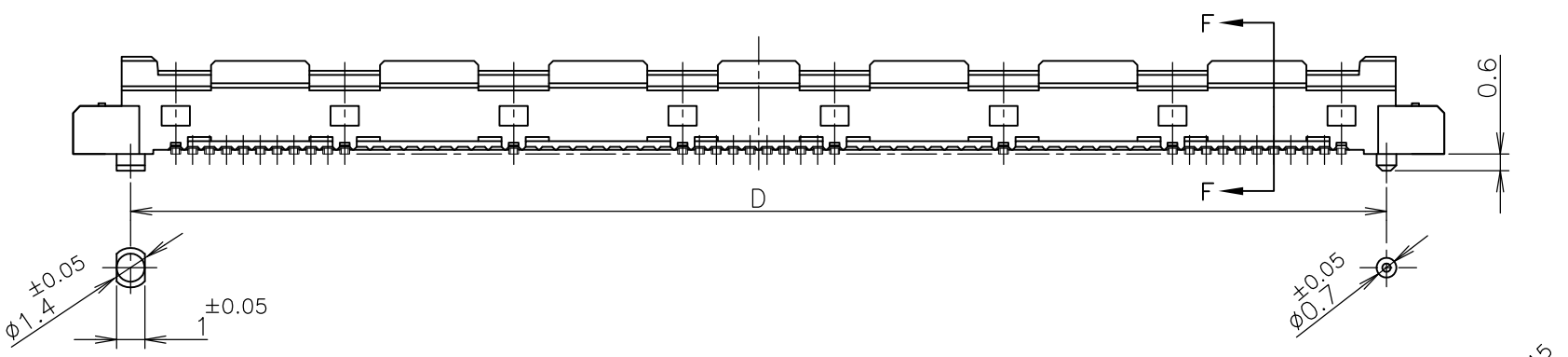
CUSTOMER DRAWING SCALE 1:1 SHEET 1 OF 2 REV E

THIS DRAWING IS UNPUBLISHED. RELEASED FOR PUBLICATION JUN ,1996.
 © COPYRIGHT 1996 BY TYCO ELECTRONICS CORPORATION. ALL RIGHTS RESERVED.

LOC	DIST	REVISIONS		
		P	LTR	DESCRIPTION
J				SEE SHEET 1



F-F (SCALE 8:1)



REFERENCE P.C.BOARD LAYOUT

△ MATERIAL ; HOUSING : HIGH TEMP THERMO PLASTIC UL94V-0
 CONTACT : COPPER ALLOY
 △ FINISH ; UNDER PL Ni 0.0013mm MIN ALL OVER.
 CONTACT AREA 0.0002 MIN Au PL.
 SOLDERING AREA 0.001 MIN Sn-Pb

ACTIVE	AVAILABLE	51.8	50.6	54.7	50	47.4	160
ACTIVE	AVAILABLE	45.8	44.6	48.7	44	41.4	140
OBSOLETE	NOT AVAILABLE	39.8	38.6	42.7	38	35.4	120
ACTIVE	AVAILABLE	33.8	32.6	36.7	32	29.4	100
OBSOLETE	NOT AVAILABLE	30.8	29.6	33.7	29	26.4	90
OBSOLETE	NOT AVAILABLE	27.8	26.6	30.7	26	23.4	80
ACTIVE	AVAILABLE	24.8	23.6	27.7	23	20.4	70
ACTIVE	AVAILABLE	21.8	20.6	24.7	20	17.4	60
ACTIVE	AVAILABLE	18.8	17.6	21.7	17	14.4	50
OBSOLETE	NOT AVAILABLE	15.8	14.6	18.7	14	11.4	40
OBSOLETE	NOT AVAILABLE	12.8	11.6	15.7	11	8.4	30
STATUS	TOOLING STATUS	E	D	C	B	A	POS

THIS DRAWING IS A CONTROLLED DOCUMENT.		DWN	Tyco Electronics Corporation	
DIMENSIONS: 單位: 耗 mm		CHK	Kawasaki, Japan	
TOLERANCES UNLESS OTHERWISE SPECIFIED: 一般公差		APVD	NAME 名称	
0 PLC ± 0.3		PRODUCT SPEC 製品規格	EMBOSS ASSY	
1 PLC ± 0.3		APPLICATION SPEC 取付適用規格	FH 0.6BTB CONNECTOR	
2 PLC ± 0.3		WEIGHT	SIZE	CAGE CODE
3 PLC ± 0.3		CUSTOMER DRAWING	A3	00779
4 PLC ± 0.3			DRAWING NO	G-353183
ANGLES ± 3'		RESTRICTED TO		
FINISH 仕上		SCALE 尺度	4:1	SHEET 2 OF 2
MATERIAL 材料		REV	E	