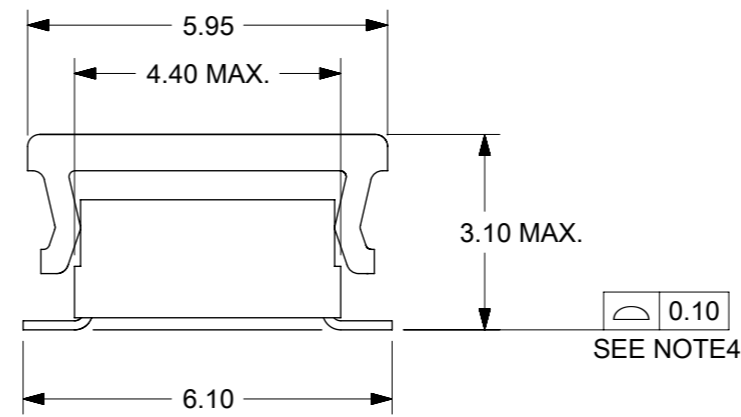


RECOMMENDED SOLDER PAD DESIGN (NTS)



**PART NO. LEGEND**

87340 - \* \* \* \*  
 CKTS SIZE  
 PLATING OPTIONS (SEE NOTE 3)  
 PACKAGING OPTIONS  
 5 - PACKAGED IN TUBE.  
 6 - PACKAGED IN TAPE & REEL.

PART NUMBER (WITH CAP IN TUBE)	PART NUMBER (WITH CAP IN TAPE & REEL)	CKT. SIZE	DIM. A	DIM. B
87340-04*5	87340-04*6	4	4.00	2.00
87340-06*5	87340-06*6	6	6.00	4.00
87340-08*5	87340-08*6	8	8.00	6.00
87340-10*5	87340-10*6	10	10.00	8.00
87340-12*5	87340-12*6	12	12.00	10.00
87340-16*5	87340-16*6	16	16.00	14.00

(PART LEGENDARY IS NOT APPLICABLE FOR BELOW PART NUMBERS)

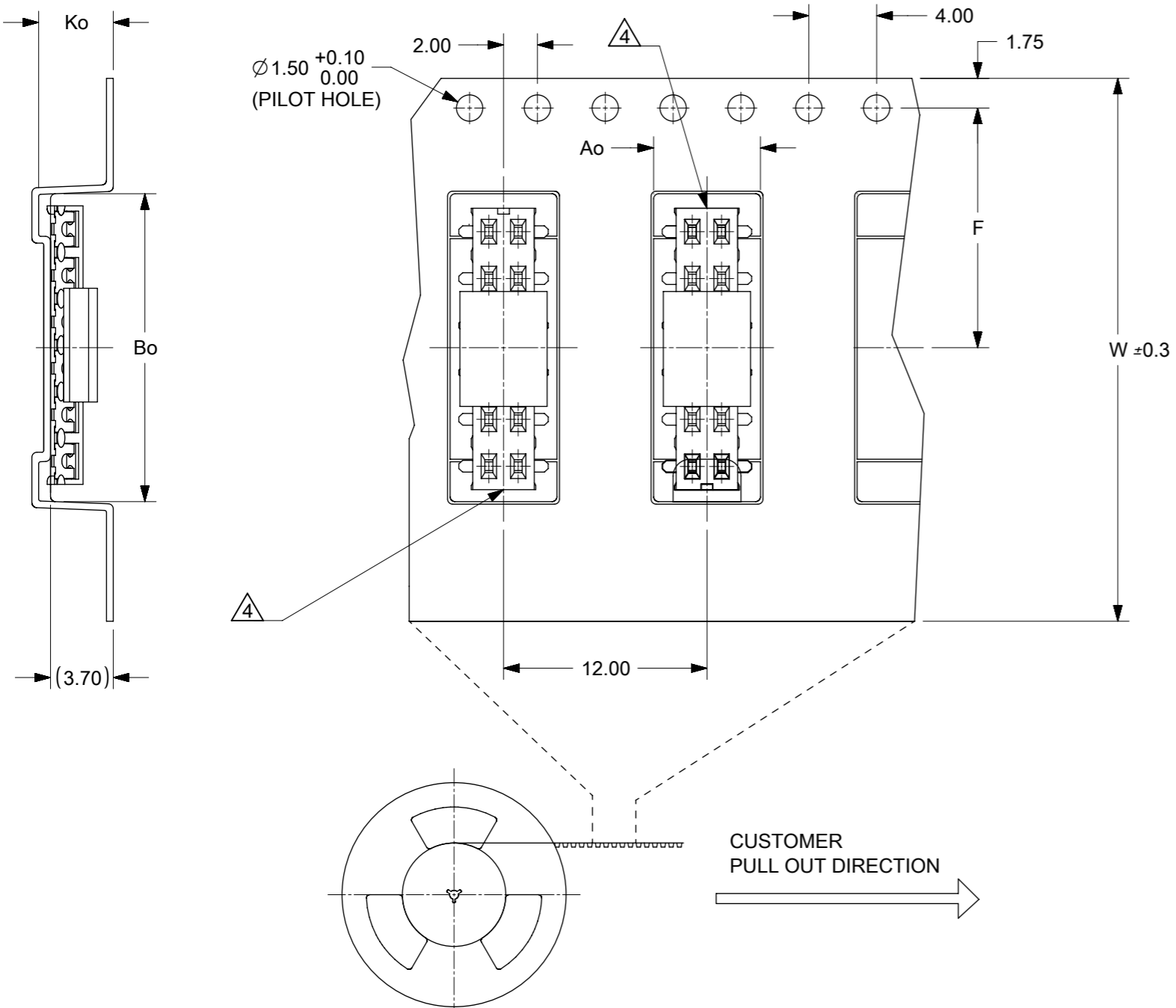
PART NUMBER (WITH OUT CAP IN TUBE)	PART NUMBER (WITH OUT CAP IN TAPE & REEL)	CKT. SIZE	DIM. A	DIM. B
87340-1213	87340-1233	12	10.00	12.00
87340-8813	NA	18	16.00	18.00

**NOTES :**

- FOR ILLUSTRATION PURPOSES, DRAWING SHOWS PART 12 CIRCUIT SIZE.
- MATERIAL :  
 HOUSING :  
 LCP GLASS FILLED, UL 94V-0  
 SUITABLE FOR SURFACE-MOUNT SOLDERING PROCESS.  
 COLOR : BLACK  
 TERMINAL :  
 PHOSPHOR BRONZE ALLOY
- PLATING FINISH:  
 - \*\*6\*  
 0.05-0.25µm GOLD AT TERMINAL CONTACT AREA.  
 1.90µm MIN TIN IN SOLDER TAIL AREA BOTH OVER  
 1.27µm MIN NICKEL OVERALL.  
 - \*\*7\*  
 0.38µm MIN GOLD AT TERMINAL CONTACT AREA.  
 1.90µm MIN TIN IN SOLDER TAIL AREA BOTH OVER  
 1.27µm MIN NICKEL OVERALL.  
 - \*\*8\*  
 0.76µm MIN GOLD AT TERMINAL CONTACT AREA.  
 1.90µm MIN TIN IN SOLDER TAIL AREA BOTH OVER  
 1.27µm MIN NICKEL OVERALL.
- COPLANARITY OF P.C TAIL TO BE MEASURED BY RESTING THE PART ON A FLAT GAGE SURFACE.
- THIS AREA OF PART TO BE HEAT-STAKED TO RETAIN CONTACTS.
- POSITION OF CAP TO BE LOCATED AT CENTRE OF DIMENSION 'A' REGARDLESS OF CIRCUIT SIZE.
- PRODUCT SPECIFICATION PS-87340 APPLIES.
- PART TO BE PACKED IN TUBE OR TAPE & REEL. SEE SHEET 2 FOR PACKAGING DETAILS.
- CONTACT FACTORY FOR PARTS AVAILABILITY.

THIS DRAWING CONTAINS INFORMATION THAT IS PROPRIETARY TO MOLEX ELECTRONIC TECHNOLOGIES, LLC AND SHOULD NOT BE USED WITHOUT WRITTEN PERMISSION		CURRENT REV DESC: MIGRATED TO ECTR		<b>molex</b>	
DIMENSION UNITS: mm		SCALE: NTS			
GENERAL TOLERANCES (UNLESS SPECIFIED)		EC NO: 608139		MGRID, VLPR II	
4 PLACES ±		DRWN: GJEEVANSURES 2018/10/08		TOP ENTRY RECEPTACLE W/O LOC PEGS, SMT	
3 PLACES ±		CHK'D: GJEEVANSURES 2018/12/19		PRODUCT CUSTOMER DRAWING	
2 PLACES ± 0.2		APPR: ISHWARG 2018/12/20		DOCUMENT NUMBER: SD-87340-XX74	
1 PLACE ±		INITIAL REVISION:		DOC TYPE: PSD	
0 PLACES ±		DRWN: PTLIM 1996/04/03		DOC PART: 001	
ANGULAR TOL ± 3.0°		APPR: RWONG 1996/04/19		REVISION: D6	
DRAFT WHERE APPLICABLE MUST REMAIN WITHIN DIMENSIONS		THIRD ANGLE PROJECTION		MATERIAL NUMBER: SEE TABLE	
		DRAWING: A3-SIZE		CUSTOMER: VENTURE	
		SERIES: 87340		SHEET NUMBER: 1 OF 2	

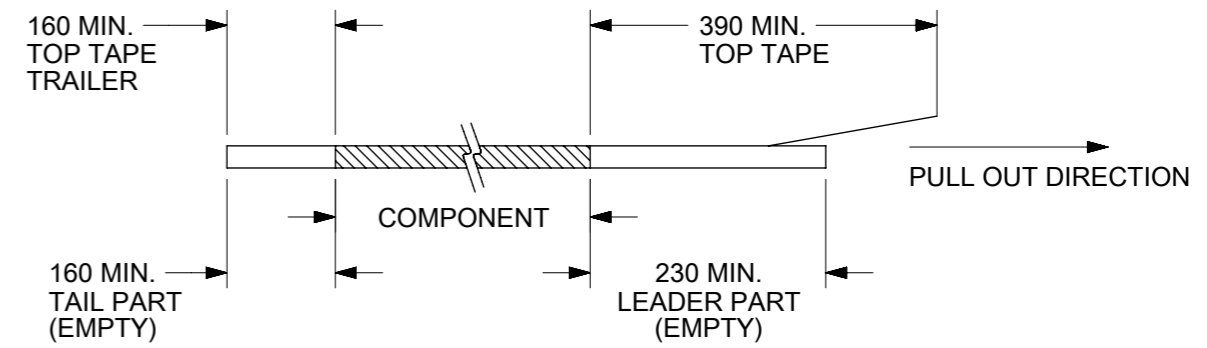
**EMBOSSED CARRIER TAPE WITH DIMENSIONS**  
(12 CKT IS SHOWN FOR ILLUSTRATION ONLY)



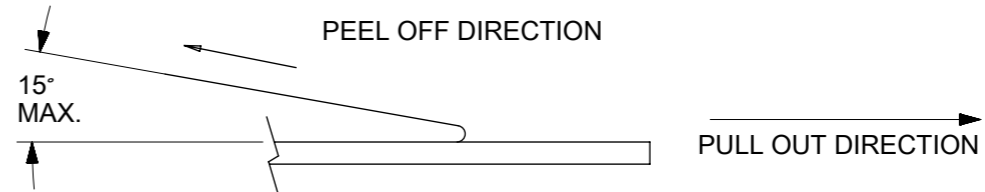
PART NO (WITH CAP IN TAPE & REEL)	CKT. SIZE	Ao	Bo	F	W	Ko
87340-0466	04	6.70	5.30	11.50	24.00	5.30
87340-0476	04	6.70	5.30	11.50	24.00	5.30
87340-0676	06	6.70	6.40	11.50	24.00	5.30
87340-0686	06	6.70	6.40	11.50	24.00	5.30
87340-0876	08	6.70	8.50	11.50	24.00	5.30
87340-1076	10	6.70	10.40	11.50	24.00	5.30
87340-1276	12	6.70	12.40	11.50	24.00	5.30
87340-1686	16	6.70	16.30	11.50	24.00	5.30

**NOTES:**

1. LEADER AND TRAILER TAPE



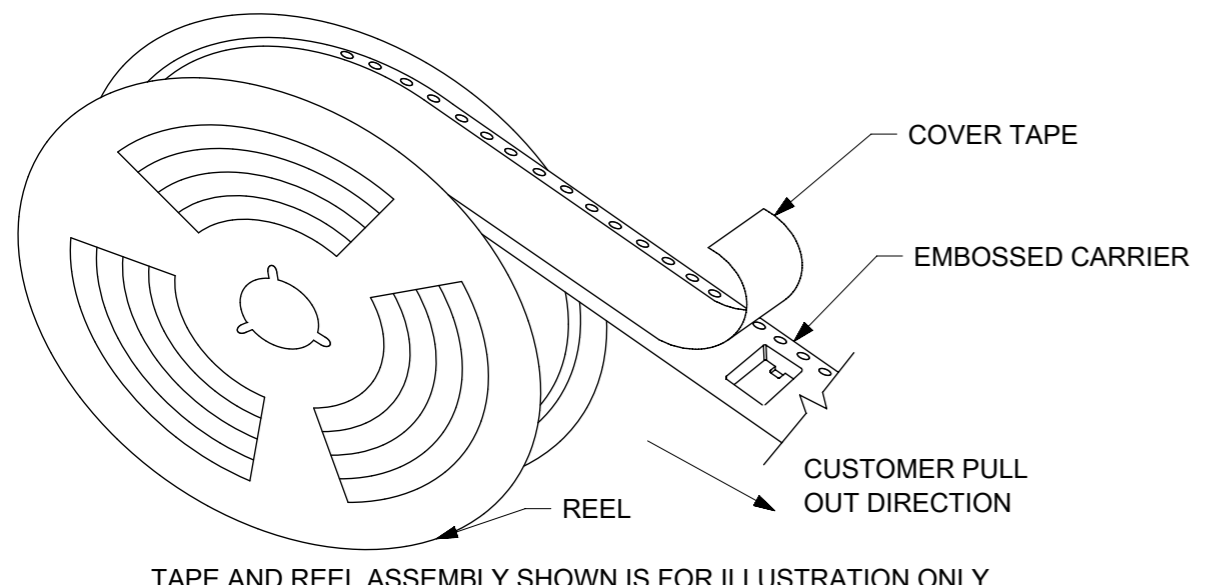
2. PEELING OFF FORCE OF THE TOP TAPE: 20-80gf  
(PEELING DIRECTION AS SHOWN IN FOLLOWING FIGURE)



3. PACKAGING STANDARD IS AS PER EIA-481.

4. TAPE & REEL QUANTITY = 1000 PCS/REEL

5. NO FIX ORIENTATION OF ASSEMBLY PART IN T&R



THIS DRAWING CONTAINS INFORMATION THAT IS PROPRIETARY TO MOLEX ELECTRONIC TECHNOLOGIES, LLC AND SHOULD NOT BE USED WITHOUT WRITTEN PERMISSION		CURRENT REV DESC: MIGRATED TO ECTR		<b>molex</b>	
DIMENSION UNITS: mm		SCALE: NTS			
GENERAL TOLERANCES (UNLESS SPECIFIED)				MGRID, VLPR II	
				TOP ENTRY RECEPTACLE W/O LOC PEGS, SMT	
4 PLACES ±				PRODUCT CUSTOMER DRAWING	
3 PLACES ±				DOCUMENT NUMBER	
2 PLACES ± 0.2				SD-87340-XX74	
1 PLACE ±				DOC TYPE	
0 PLACES ±				PSD	
ANGULAR TOL ± 3.0°				DOC PART	
DRAFT WHERE APPLICABLE MUST REMAIN WITHIN DIMENSIONS				001	
THIRD ANGLE PROJECTION		DRAWING		REVISION	
A3-SIZE		SERIES		D6	
87340		MATERIAL NUMBER		SEE TABLE	
VENTURE		CUSTOMER		SHEET NUMBER	
2 OF 2					