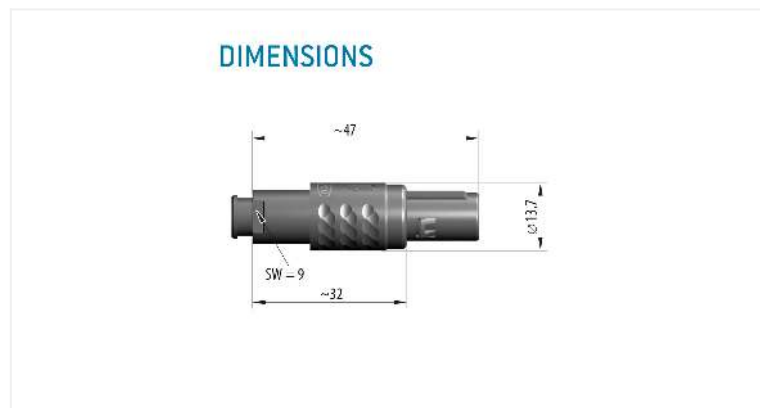


**General information**

Part number	S21ME7-P03LJN0-657S
Termination	solder
Size	1
Locking principle	push
Coding	e_key_medi
Cable Diameter	cable_medi_65
Cable outlet	bend_relief



**Contact insert description**

Number of contacts	3
Contact type	sockets
Contact diameter	09_fmbl
Insulator material	peek
Wire cross section	18_awg
Termination	solder
Termination diameter	14mm

reverse\_gender\_on\_request

**Technical information**

Max. creepage and air clearance distance	47_20_mm	
Nominal current single contact	10_a	iec_60512_5_2
Nominal current insert	10 A	vde_0298_4
Test voltage	675_m_45_u_kv_dc	sae_13441

safety\_text\_hv

## Mechanical and environmental data

Degree of protection*	ip50
-----------------------	------

Operating temperature	50_120_c
-----------------------	----------

Mating cycles	2000
---------------	------

mated\_unmated

## Insulator materials MEDI-SNAP®

psu\_peek

## Material and surface treatments

Housing	psu_gray
---------	----------

Color option	gray
--------------	------

Contact	cu_alloy_gold
---------	---------------

safety\_text\_2

ul\_text

illustrative\_text