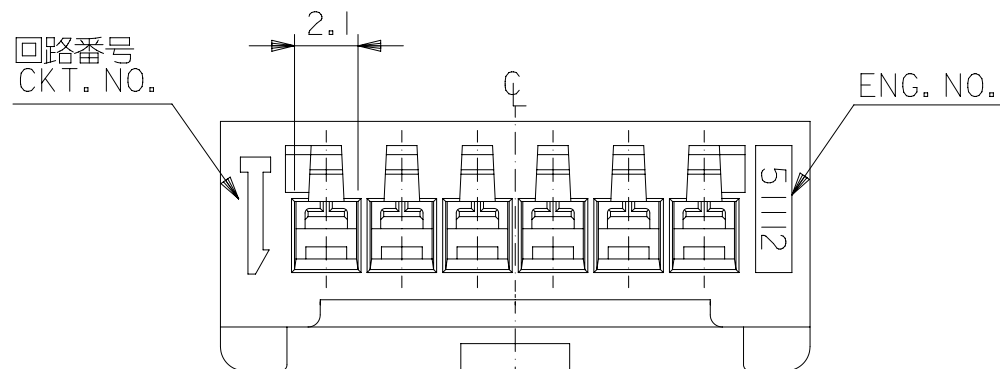
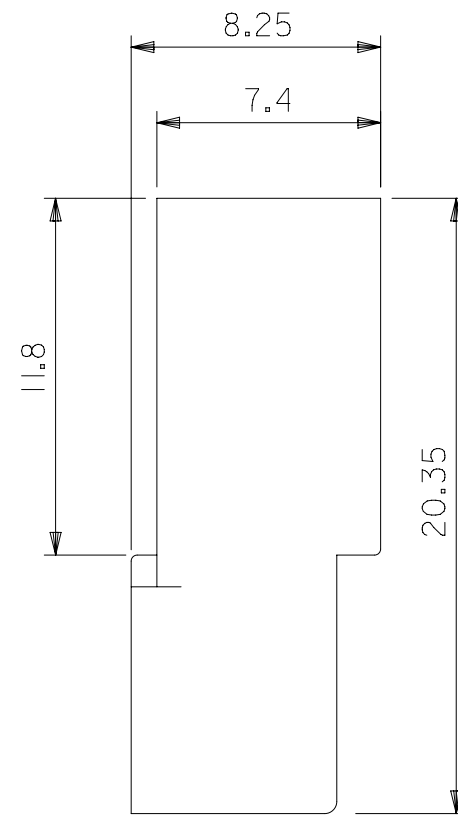
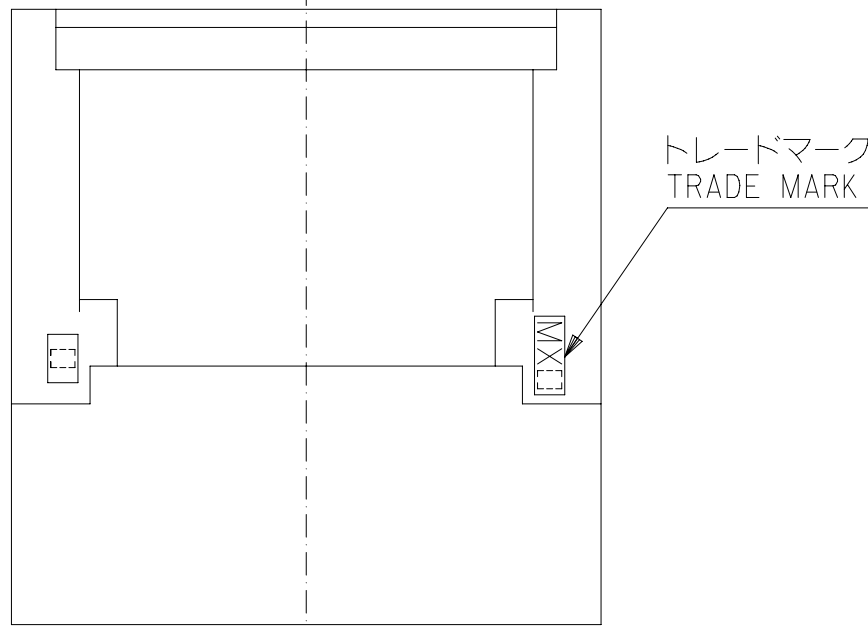


ターミナル装着状態図
TERMINAL ASSEMBLY DRAWING

注記 NOTES

- △ 適合ターミナル：50398シリーズ
APPLICABLE TERMINAL : 50398 SERIES
- 2. 嵌合相手：51111シリーズ
MATE WITH : 51111 SERIES
- △ 偶数極の製品に適用。
APPLY EVEN CIRCUIT PRODUCTS.



42	40.4	35	51112 -15 10	15
37	35.4	30	▲ -13 10	13
34.5	32.9	27.5	-12 10	12
29.5	27.9	22.5	-10 10	10
27	25.4	20	-09 10	9
24.5	22.9	17.5	-08 10	8
19.5	17.9	12.5	-06 10	6
17	15.4	10	-05 10	5
14.5	12.9	7.5	-04 10	4
12	10.4	5	▼ -03 10	3
9.5	7.9	2.5	51112 -02 10	2
C	B	A	ENG. NO.	極数 NO. OF CKT.

THIS DRAWING CONTAINS INFORMATION THAT IS PROPRIETARY TO MOLEX ELECTRONIC TECHNOLOGIES, LLC AND SHOULD NOT BE USED WITHOUT WRITTEN PERMISSION

DIMENSION UNITS mm	SCALE 4:1	CURRENT REV DESC: REMOVED OBSOLETE PART NUMBER AS PER PCN#510656.	molex		
GENERAL TOLERANCES (UNLESS SPECIFIED)		EC NO: 720751 DRWN: SANTHN CHK'D: GGA APPR: GGA			
角度 ANGLE	±3°	2022/09/06	PRODUCT CUSTOMER DRAWING		
30 以上 OVER	±0.3	2022/09/21	DOCUMENT NUMBER		
10 以上 30 未満 UNDER	±0.25	2022/09/21	SD-51112-XX10		
10 未満 UNDER	±0.2		DOC TYPE	DOC PART	REVISION
一般公差 GENERAL TOLERANCES		INITIAL REVISION: DRWN: K.TOJO APPR: M.FUKUSHIMA	PSD	001	B
		THIRD ANGLE PROJECTION	MATERIAL NUMBER	CUSTOMER	SHEET NUMBER
		DRAFT WHERE APPLICABLE MUST REMAIN WITHIN DIMENSIONS	SEE TABLE	GENERAL MARKET	1 OF 1
		B-SIZE	SERIES		
			51112		