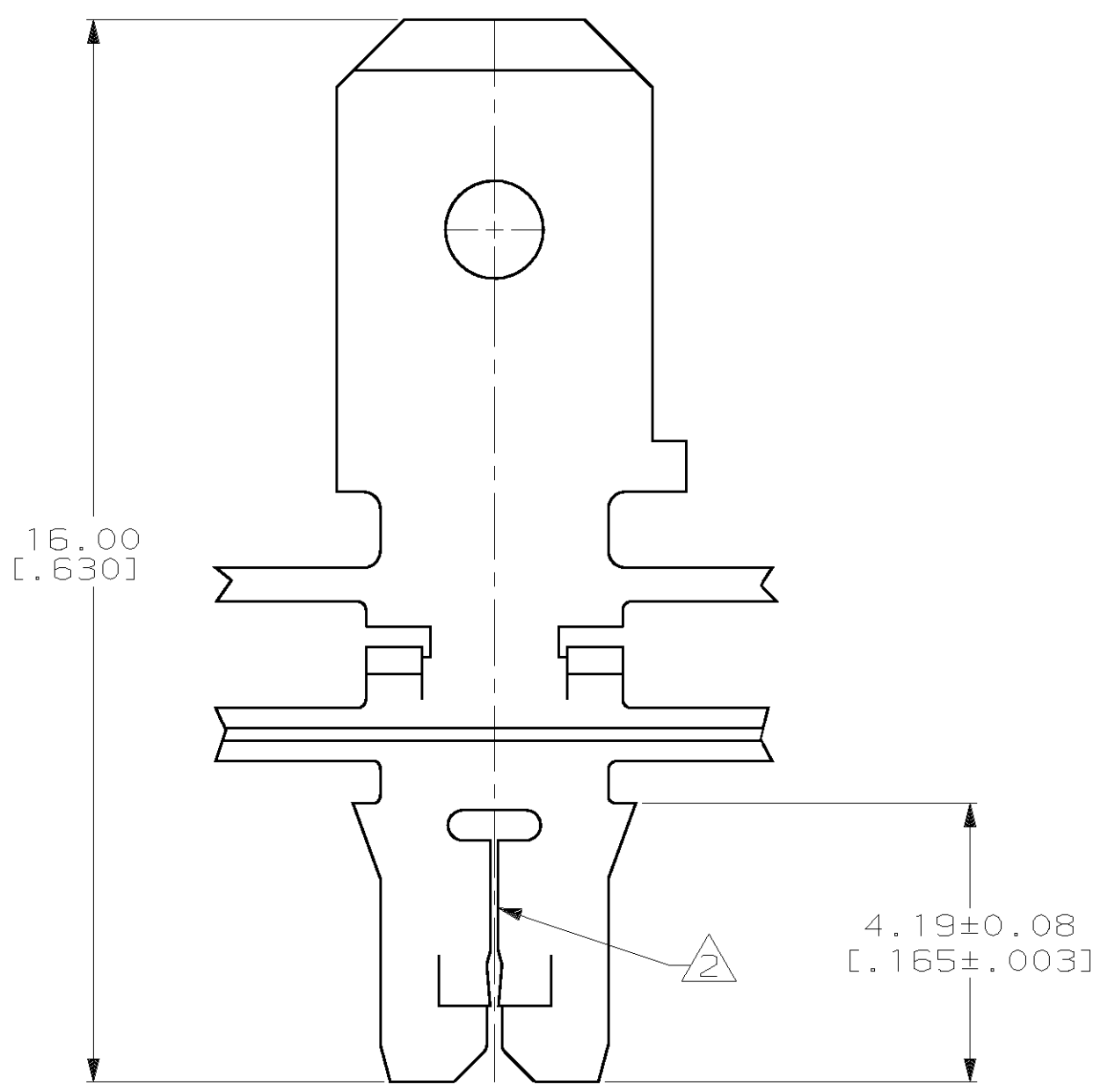
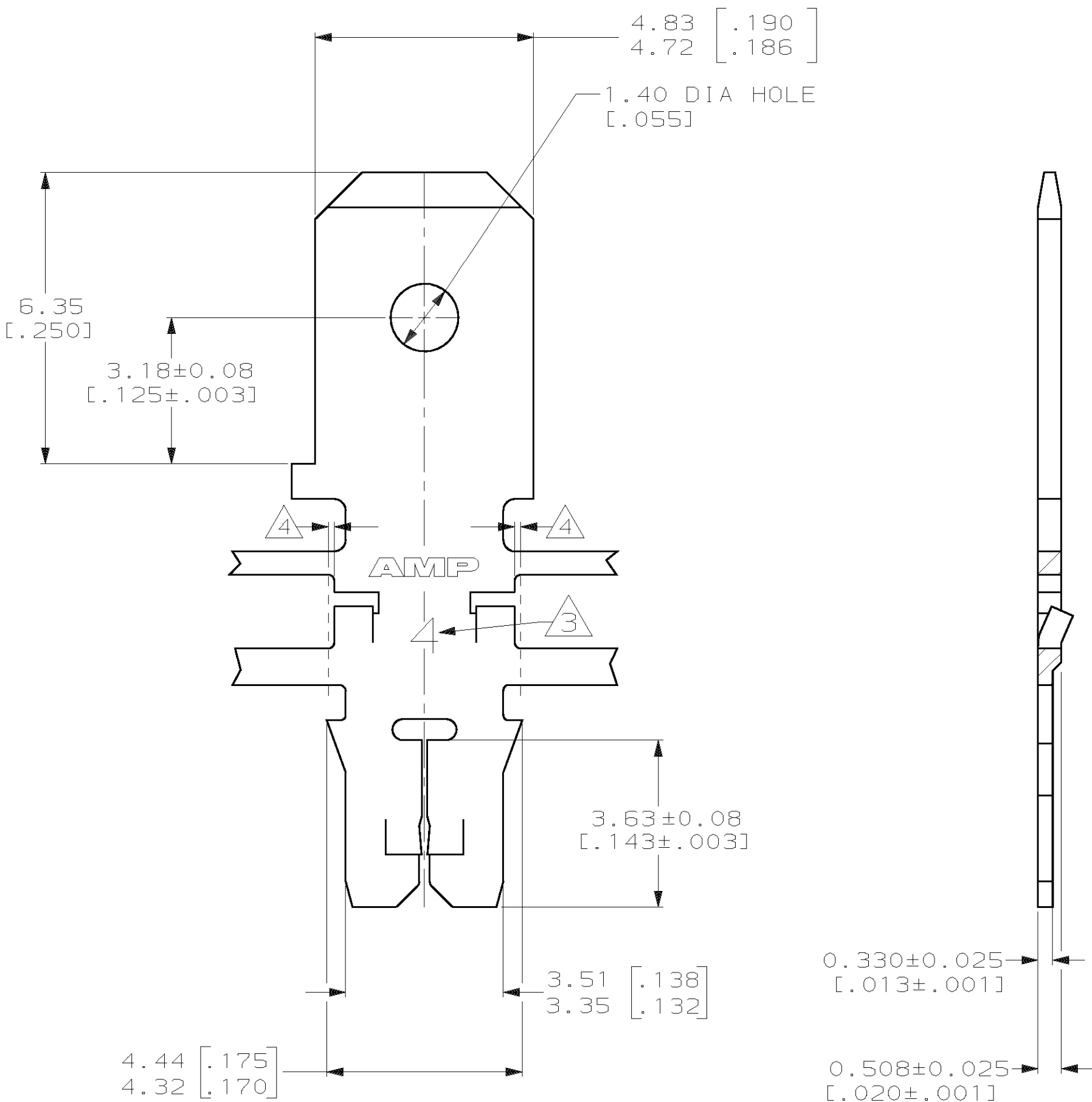


LOC	DIST	P	F	ZONE	LTR	REVISIONS	DATE	APPD
AF	50				F	REVISED PER 063A-0034-01	09FEB01	MF-KR

- 1 CONTINUOUS STRIP ON REELS WITH TERMINALS LOCATED ON 6.86±0.08 [.270±.003] CENTERS
- △2 SLOT ACCEPTS 0.18-0.23mm [#33-#31] AWG COPPER MAGNET WIRE. TWO WIRES OF THE SAME SIZE MAX PER SLOT
- △3 IDENTIFICATION NUMBER 4 FOR THE MAGNET WIRE SLOT SIZE
- △4 0.25[.010] MAX CARRIER CUT-OFF



DO NOT SCALE PRINT. UNLESS SPECIFIED DIMENSIONS IN mm [INCHES] TOLERANCES ON:		DR 9-27-93 L.A.MAYER	082 PRE-MILLED BRASS		63710-2
2 PLC DEC ± 0.13 [.005]		CHK 9-27-93 M.S. FEHER	4M PRE-MILLED BRASS		63710-1
3 PLC DEC ± -		APPD 9-27-93 A.HUNT III	MATERIAL		PART NO
ANGLES ± -		APPD 9-27-93 T.L.SHUTTER	AMP AMP Incorporated Harrisburg, PA 17105-3608		
MATERIAL	SEE TABLE	PRODUCT SPEC 108-1484	NAME TAB, 4.75 [.187] FASTON™ MAG-MATE™ Slim Line		
FINISH	0.002032 [.000080] MIN TIN	APPLICATION SPEC 114-2140	SIZE	CAGE CODE	DRAWING NO
THIS DRAWING IS A CONTROLLED DOCUMENT FOR AMP INCORPORATED. IT IS SUBJECT TO CHANGE AND THE CONTROLLING ENGINEERING ORGANIZATION SHOULD BE CONTACTED FOR THE LATEST REVISION.		WEIGHT -	③	00779	③=63710
			SCALE	10:1	SHEET 1 OF 1