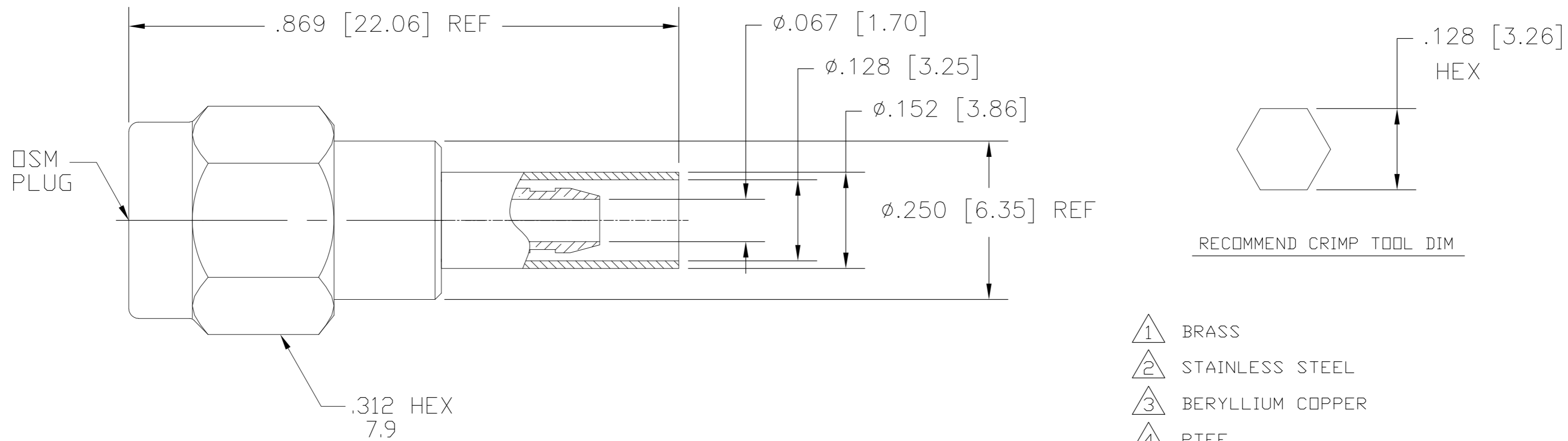


THIS DRAWING IS UNPUBLISHED. RELEASED FOR PUBLICATION  
 © COPYRIGHT BY TYCO ELECTRONICS CORPORATION. ALL RIGHTS RESERVED.

| LOC | DIST | REVISIONS |     |                       |      |     |      |
|-----|------|-----------|-----|-----------------------|------|-----|------|
| AJ  | 00   | P         | LTR | DESCRIPTION           | DATE | DWN | APVD |
|     |      | B         |     | REV PER ECO-09-013650 | -    | ANS | BOB  |



- ① BRASS
- ② STAINLESS STEEL
- ③ BERYLLIUM COPPER
- ④ PTFE
- ⑤ SILICONE RUBBER
- ⑥ GOLD PLATE
- ⑦ NICKEL PLATE
- ⑧ PASSIVATE
- ⑨ WHITE BRONZE

| ELECTRICAL  | MECHANICAL  | ENVIRONMENTAL  |
|---|---|--|
| Nominal Impedance (Ohms) <u>50</u>                                | Interface Dimensions MIL-STD-348A, Fig. 310.1       | TEMPERATURE RATING -40° TO +95°<br><br>DURABILITY:500 CYCLES |
| Frequency Range (GHz) DC to 6                                     | Recommended Mating Torque <u>7-10 In-Lbs</u>        |  |
| Volt Rating (VRMS MAX) @ Sea Level <u>250</u>                     | Mating Characteristics:                             | .XXX = in<br>XX.X = mm                                       |
| VSWR <u>1.18 + .02f(GHz)</u>                                      | Insertion (MAX Lbs) N/A                             |  |
| Insertion Loss (dB MAX) <u>.07 √f GHz</u>                         | Withdrawal (MIN Oz) N/A                             |  |
| Dielectric Withstanding Voltage (VRMS MIN) @ Sea Level <u>750</u> | Force to Engage and Disengage (In-Lbs MAX) <u>2</u> |  |
| Contact Resistance (Milliohms MAX) Center Contact <u>5.0</u>      | Center Contact Captivation Axial (Lbs) <u>6 Min</u> |  |
| Outer Contact <u>3.0</u>  | Radial (In-Oz) N/A                                  |  |
| Cable to Housing <u>0.5</u>                                       | Cable Retention Axial Force (Lbs) <u>20 MIN</u>     |  |
| RF High Potential @ Sea Level (VRMS MIN @ 5 MHz) <u>500</u>       | Torque (In-Oz) N/A                                  |  |
| I.R.(Megohms MIN) <u>5,000</u>                                    | Weight (Grams) TBD                                  |  |

|         |              |            |                |         |                |        |           |
|---------|--------------|------------|----------------|---------|----------------|--------|-----------|
| ① ⑨     | ① ⑦          | ④          | ① ⑥            | ① ⑦     | ③              | ⑤      | 1082034-3 |
| ① ⑨     | ① ⑨          | ④          | ① ⑥            | ① ⑨     | ③              | ⑤      | 1082034-1 |
| HOUSING | COUPLING NUT | DIELECTRIC | CENTER CONTACT | FERRULE | RETAINING RING | GASKET | TE PN.    |

THIS DRAWING IS A CONTROLLED DOCUMENT.

|                  |  |
|------------------|--|
| DWN BWC 6/2/67   | Tyco Electronics Corporation<br>Kunshan, Jiangsu, RPC 215312 |
| CHK EJD 8/9/67   |  |
| APVD DJ 8/10/67  |  |
| PRODUCT SPEC     |  |
| APPLICATION SPEC | NAME   |
| 408-4736         | OSM STRAIGHT CABLE(RG-174/U)<br>PLUG CLAMP ATTACHMENT        |
| WEIGHT -         | SIZE A2  |
| CUSTOMER DRAWING | CAGE CODE 00779  |
|                  | DRAWING NO C=1082034   |
|                  | RESTRICTED TO -  |
|                  | SCALE 5:1  |
|                  | SHEET 1 of 1   |
|                  | REV B  |

1082034