

MATERIAL NUMBER

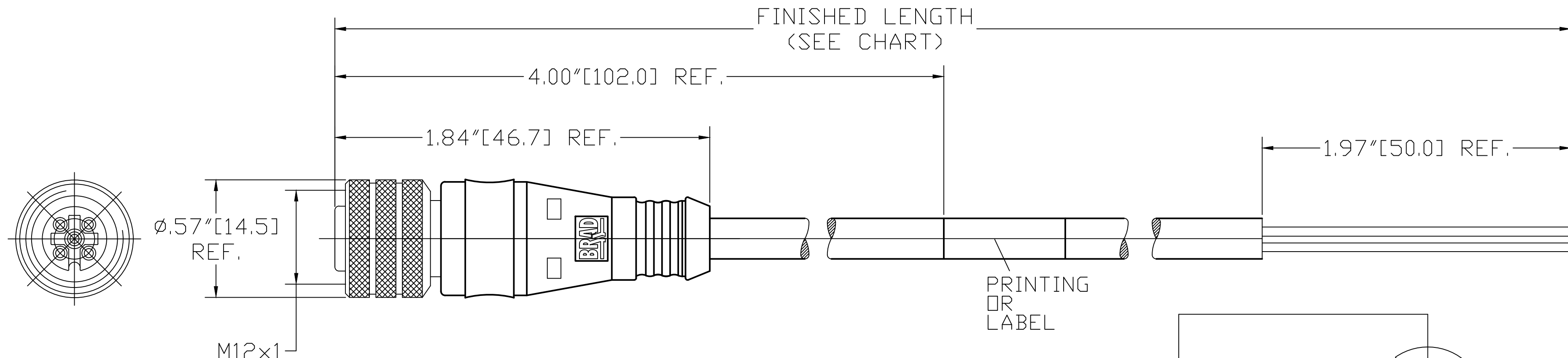
OLD PART NUMBER

FINISHED LENGTH

120067-8327

8040P0H09M020

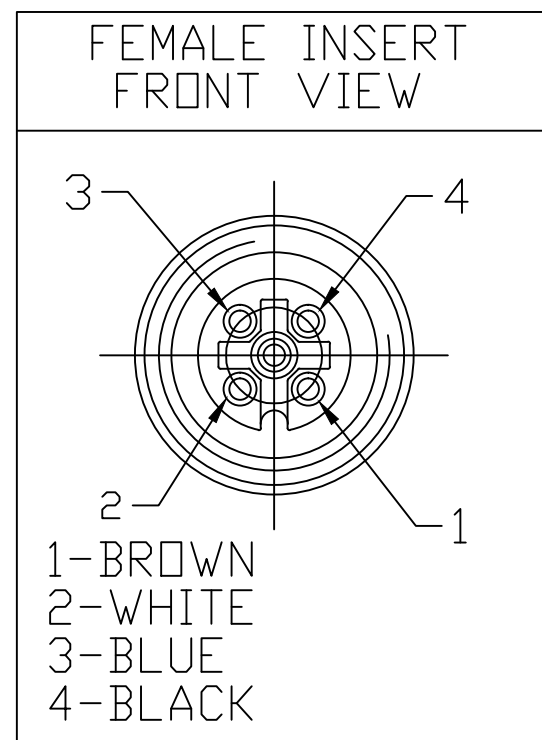
6.56' +3.50" -0 [2.0M +88.9mm -0]



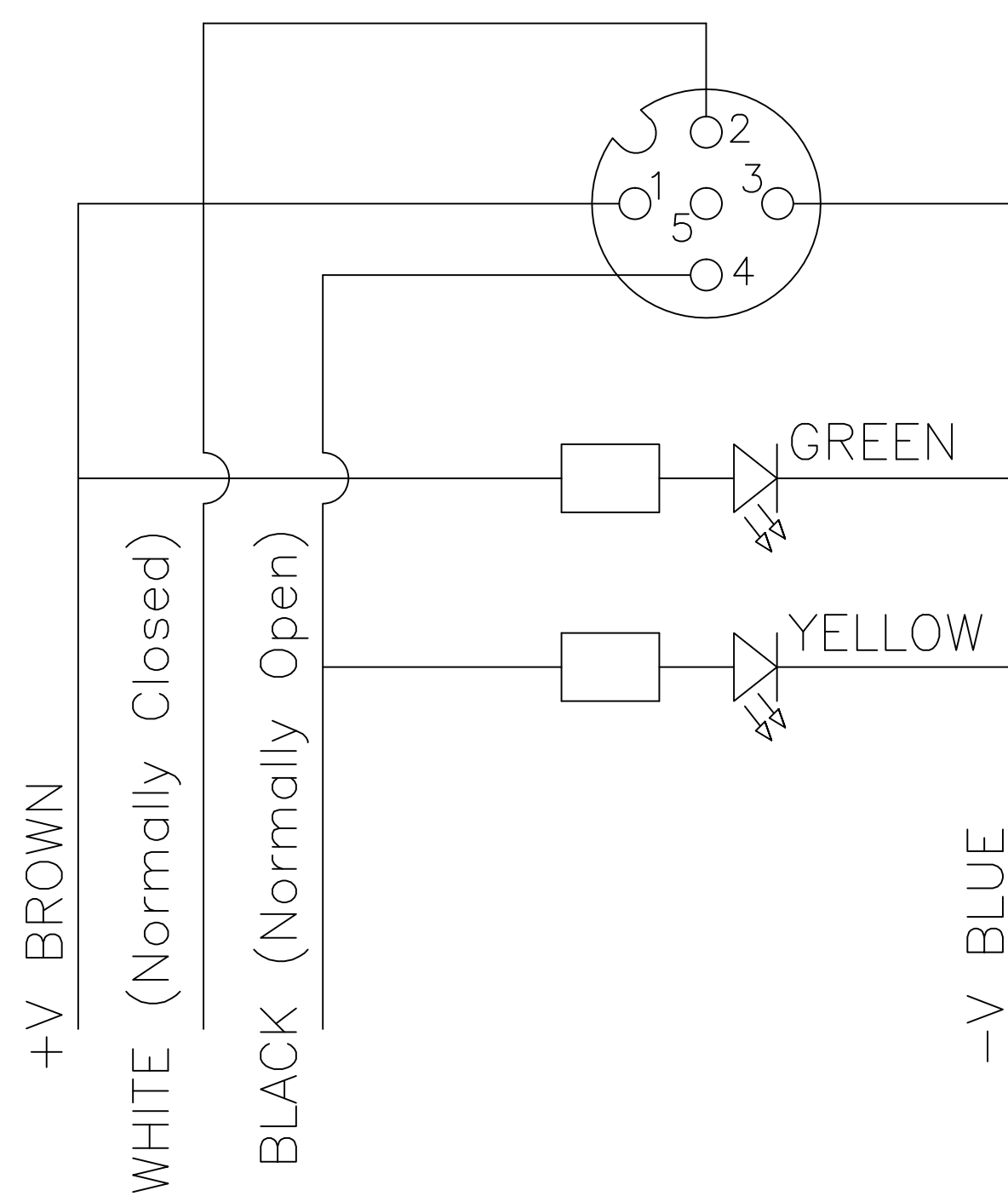
8040P0H09M020

Wire type  
4x .34mm<sup>2</sup>  
Black PUR

cable length  
M020----2 Meter  
M100----10 Meter



CONTACT:	GOLD/NICKEL OVER COPPER ALLOY
INSERT:	PUR, BLACK
COUPLING NUT:	BRASS, NICKEL PLATED
MOLDED BODY:	TPU, NATURAL
VOLTAGE RATING:	10 TO 30 VDC
AMPERAGE RATING:	4 AMPS
PROTECTION:	IP67
OPERATING TEMPERATURE:	FLEXING: -5°C TO 90°C STATIC: -30°C TO 90°C



WIRING DIAGRAM

INITIAL RELEASE EC NO.: IPG2014-0063 DRWN: EBRACKEN 2013/07/01 CH'KD: RSTONE APPR: BWOODMAN 2013/08/16 REV A	QUALITY SYMBOL	GENERAL TOLERANCES (UNLESS SPECIFIED)	DIMENSION STYLE	SCALE	DESIGN UNITS	THIRD ANGLE PROJECTION	
	▽=0 ▽C=0	mm INCH 4 PLACES ±--- ±--- 3 PLACES ±--- ±.005 2 PLACES ±0.13 ±.010 1 PLACE ±0.25 ±.020	IN/MM	---	INCH		
		ANGULAR ±.5°	DRAWN BY DATE EBRACKEN 2013/06/18 CHECKED BY DATE RSTONE APPROVED BY DATE BWOODMAN 2013/08/16	TITLE	MICRO-CHANGE ASSEMBLY 4 POLE LED PNP ST CABLE PUR BLACK		
		DRAFT WHERE APPLICABLE MUST REMAIN WITHIN DIMENSIONS	MATERIAL NO. SEE CHART SIZE C	MOLEX INCORPORATED DOCUMENT NO. SD-120067-037	SHEET NO. 1 OF 1		
THIS DRAWING CONTAINS INFORMATION THAT IS PROPRIETARY TO MOLEX INCORPORATED AND SHOULD NOT BE USED WITHOUT WRITTEN PERMISSION							